



Electrical Equipment

FANTON®

CABLES AND ELECTRICAL COMPONENTS



www.fanton.com



*“Innovation aimed at improving
the future in an environmentally
and safety conscious manner
with the experience of a
time-honoured Italian firm.”*

Renzo Fanton

A handwritten signature in black ink, appearing to read 'Renzo Fanton', written in a cursive style.



Our products are environmentally-friendly



The European Union has issued clear directives to ensure better management of electrical waste throughout the production chain, to safeguard an environment increasingly under threat from problematical waste.

Fanton S.p.A. has always responded to the need for sustainable development with strategies aiming to comply with the strict European directives on production, disposal and the environment.

The fundamental EU legislation on environmental policy is the RoHS Directive 2002/95/EC - Restriction of the Use of Certain Hazardous Substances in Electrical and Electronic Equipment.

In compliance with the RoHS directive, which restricts the use of some hazardous substances and pollutants in electrical and electronic equipment, Fanton S.p.A. banned the use of substances such as heavy metals (lead, mercury, cadmium and hexavalent chromium) or flame-retardants (brominated biphenyls, etc.) in July 2006, the year when the Directive came into force.

Compliance with this standard results in products which are safer for their users and the environment, two important aims towards which much of the work of our R&D laboratory and production departments is directed.

QUICK GUIDE	6
-------------	---

INDUSTRIAL SERIES

INDUSTRIAL PLUGS AND SOCKETS	9
------------------------------	---

Industrial plugs and sockets "Argo" series	10
Reduced flange domestic industrial sockets	18
Plugs and sockets for entertainment	19
"Key Block" interlocked-switch sockets	25
"Key Box" fixed installation boards	35

DISTRIBUTION BOARDS	39
---------------------	----

"Polifemo Midi" series distribution boards	42
"Polifemo Maxi" series distribution boards	46
"Polifemo" series empty boards and accessories	48
"Ulisse" series boards	51
"Eolo" series distribution boards	59

CIRCUIT BREAKERS SERIES	63
-------------------------	----

Miniature circuit breakers	65
Residual current devices	65
On-load switches	66
Ignition coils	66

INDUSTRIAL ADAPTORS	67
---------------------	----

Industrial adaptors	68
Double adaptors	70
Triple adaptors	72
Configuration adaptors	74

INDUSTRIAL CABLE REEL	75
-----------------------	----

"Puma" CEE industrial cable reels	76
"Golia" CEE industrial cable reels	76
"Golia" Metal CEE industrial cable reels	78
Industrial patch cords	79
"Golia" and "Onda" empty multipurpose reels	79
Spare parts for cable-winder	80

INDUSTRIAL LIGHTING	81
---------------------	----

Supply boards for warning light fixtures	82
Red fixtures for warnings	82

DOMESTIC SERIES

ENERGY AND DATA DISTRIBUTION COLUMNS	83
--------------------------------------	----

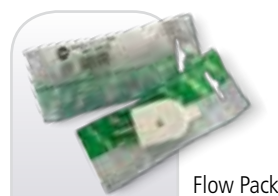
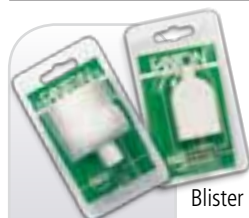
"Tower Tech" columns	87
"Tower Tech" multi-sockets	89
Multi-sockets rack	90

MULTI-SOCKETS	91
---------------	----

"Modula" series multi-sockets	94
Professional series multi-sockets	96
"Fido" series multi-sockets	97
"UPS" series multi-sockets	100



PACKAGING LEGEND





DOMESTIC PLUGS AND SOCKETS	101
Plugs, sockets and adaptors	104
Night pilot lights	104
Trailing plugs and sockets	105
Adaptors for domestic use	107
UNIVERSAL ADAPTORS	109
Universal travel adaptor	110
PC ADAPTORS	111
"Tak-Tak" adaptor	112
DOMESTIC CABLE REELS	113
"Onda" cable reels	114
"Golia Metal" cable reels	118
Self-winding reels	119
"Puma" cable reels	120
PATCH CORDS	122
Linear patch cords	122
Extensible patch cords	123
Power cords	124
SELF-SERVICE CABLES	125
Self-service cables in reels	125
Cable dispenser	125
Self-service cables in coils	126
Skein Silk braided cable	128
TELEPHONE AND NETWORKING ACCESSORIES	129
"Opera" series plates and boxes	131
Keystone jack for wall plates	132
Work area accessories	132
Tools	133
LIGHTING SERIES	135
"FreeLed" lamp	137
Hand lamps	138
"Panda Maxi" light fixtures series	142
"Panda Midi" light fixtures series	143
LAMP-HOLDERS	144
PLIERS AND CONNECTING FOR BATTERIES	145
TERMINAL BLOCKS	146
WIRING CLAMPS	147
WIRING ACCESSORIES	148
CABLE CLIPS	149
DISPLAYS	150
TECHNICAL GUIDE AND TABLES OF DIMENSIONS	153

SYMBOLS LEGEND



European Standard



French Standard



Italian Standard



German Standard



British Standard



Shrink Film

QUICK GUIDE

Code	Page	Code	Page	Code	Page	Code	Page	Code	Page	Code	Page	Code	Page	Code	Page
01030	121	14348	78	23929	132	41020-0065E	98	45930	87	63002	147	64406	149	70181	17
01040	121	14350	78	23930	132	41022	98	45950	87	63003	147	64408	149	70182	17
01163	121	14360	78	23931	132	41023	98	45960	87	63004	147	64450	149	70183	17
01203	121	14370	78	23932	132	41024	98	61050	138	63005	147	64452	149	70184	17
01273	121	14380	78	23933	132	41025	98	61060	138	63006	147	64454	149	70185	17
01274	120	14385	78	23934	132	41040	98	62530	138	63007	147	64456	149	70200	17
01279	120	14623	114	23935	132	41041	98	62531	138	63008	147	64458	149	70201	17
01283	121	14625	114	23936	132	41042	98	62541	138	63011	147	64460	149	70202	17
01284	120	14631	117	23937	132	41043	98	62551	138	63013	147	64462	149	70203	17
01289	120	14633	117	23938	132	41044	98	62560	137	63014	147	64464	149	70204	17
01333	121	14634	117	23939	132	41045	98	62561	137	63015	147	64480	149	70205	17
01334	120	14638	79	23952	130	41080	99	62562	137	63017	147	67902	146	70300	14
01335	120	14639	79	23953	130	41081	99	62720	143	63018	147	67903	146	70304	14
01343	121	14675	115	23954	130	41082	99	62721	143	63020	147	67904	146	70305	14
01344	120	14676	115	23955	130	41083	99	62722	143	63022	147	67905	146	70306	14
01345	120	14677	115	23956	130	41083-0065E	99	62723	82	63029	147	67912	146	70307	14
01349	76	14684	115	23990	133	41084	99	62723	143	63080	148	67913	146	70308	14
01901	80	14685	115	31511	128	41085	99	62730	143	63081	148	67914	146	70310	14
01902	80	14695	116	31512	128	41086	99	62731	143	63082	148	68005	147	70316	14
01903	80	14697	116	31515	128	41087	99	62732	143	63083	148	68006	147	70320	14
01904	80	14800	114	31516	128	41088	99	62740	142	63090	148	69402	149	70324	14
01911	80	14801	114	40264	99	41090	100	62741	142	63091	148	69406	149	70325	14
01912	80	14803	116	40265	99	41102	99	62742	142	63100	147	69408	149	70326	14
01913	80	14804	116	40728	100	41103	99	62745	142	63101	147	69480	149	70327	14
01914	80	14820	115	40790	87	41104	99	62746	142	63102	147	70100	12	70328	14
01915	80	14821	115	40791	87	41151	96	62750	142	63103	147	70101	12	70328	49
01916	80	14822	115	40792	87	42011	96	62751	142	63104	147	70102	12	70330	14
01917	80	14823	115	40800	89	42012	96	62752	142	63105	147	70103	12	70336	14
01918	80	14824	115	40801	89	42019	96	62755	142	63106	147	70104	12	70380	17
01919	80	14825	116	40802	89	42022	96	62756	142	63107	147	70105	12	70384	17
01920	80	14827	116	40810	89	45533	95	62760	82	63108	147	70106	12	70385	17
01921	80	14828	116	40815	89	45534	95	62761	82	63111	147	70107	12	70385	49
01922	80	14830	116	40830	89	45553	95	62762	82	63113	147	70107	21	70400	17
10000	79	14950	119	40831	89	45554	95	62769	82	63114	147	70120	12	70404	17
10195	117	14951	119	40832	89	45613	94	62800	144	63115	147	70121	12	70405	17
10203	117	14952	119	40840	89	45614	94	62801	144	63117	147	70122	12	70446	15
11000	79	14953	119	40841	89	45615	94	62802	144	63118	147	70123	12	70466	15
11127	76	14960	119	40842	89	45616	94	62803	144	63120	147	70124	12	70900	17
11128	76	14961	119	40850	87	45617	94	62810	144	63122	147	70125	12	70901	17
11162	76	14962	119	40860	87	45618	94	62811	144	63129	147	70126	12	70902	17
11164	76	21241	128	40870	87	45633	94	62812	144	63153	148	70127	12	70903	17
11193	117	21242	128	40880	87	45634	94	62813	144	63154	148	70127	21	70904	17
12003	79	21243	128	40900	87	45635	94	62814	144	63155	148	70140	12	70905	17
12128	77	21244	128	40910	87	45636	94	62820	144	63300	146	70141	12	70906	17
12138	77	21245	128	40920	87	45637	94	62821	144	63301	146	70142	12	70907	17
12160	77	21246	128	40930	87	45638	94	62822	144	63302	146	70143	12	70920	17
12170	77	22311	133	40950	87	45713	95	62823	144	63303	146	70144	12	70921	17
12180	77	22312	133	40960	87	45714	95	62902	146	64000	145	70145	12	70922	17
12190	77	23204	90	40970	87	45723	95	62903	146	64010	145	70146	12	70923	17
14300	79	23205	90	40980	87	45724	95	62904	146	64020	145	70147	12	70924	17
14313	118	23206	90	41000	97	45850	87	62905	146	64030	145	70147	21	70925	17
14314	118	23207	90	41002	97	45860	87	62906	146	64040	145	70160	12	70926	17
14319	118	23704	132	41010	97	45870	87	62912	146	64050	145	70161	12	70927	17
14323	118	23708	132	41011	97	45880	87	62913	146	64060	145	70162	12	70930	17
14324	118	23709	132	41012	97	45900	87	62914	146	64070	145	70163	12	70931	17
14326	118	23925	132	41013	97	45910	87	62915	146	64080	145	70164	12	70932	17
14328	118	23926	132	41014	97	45920	87	62916	146	64400	149	70165	12	70933	17
14329	118	23927	132	41015	97	45920	87	63000	147	64402	149	70167	12	70934	17
14338	78	23928	132	41020	98	45930	87	63001	147	64404	149	70180	17	70935	17



Code	Page	Code	Page	Code	Page	Code	Page	Code	Page	Code	Page	Code	Page	Code	Page
70936	17	71306	14	71621	15	73109	68	73245	28	73346	49	73900	66	74221	55
70937	17	71307	14	71622	15	73110	70	73246	28	73350	31	73904	66	74222	55
71083	18	71308	14	71623	15	73111	70	73250	29	73350	49	73905	66	74223	55
71084	18	71310	14	71624	15	73112	70	73251	29	73351	31	73907	66	74230	55
71085	16	71316	14	71625	15	73114	71	73252	29	73352	31	73910	66	74231	55
71085	18	71320	14	71626	15	73115	71	73253	29	73353	31	73911	66	74270	55
71087	16	71324	14	71640	15	73116	71	73254	29	73354	31	73912	66	74271	55
71087	21	71325	14	71641	15	73117	71	73255	29	73354	49	73987	18	74280	55
71093	18	71326	14	71642	15	73120	72	73260	28	73355	31	73988	32	74281	55
71094	18	71327	14	71643	15	73121	72	73261	28	73355	49	73989	18	74282	55
71100	13	71328	14	71644	15	73121	72	73262	28	73360	30	73989	32	74292	82
71101	13	71330	14	71645	15	73122	73	73263	28	73360	49	73990	32	74300	54
71102	13	71336	14	71646	15	73123	73	73264	28	73361	30	73991	32	74301	54
71103	13	71380	17	71650	16	73123	74	73265	28	73362	30	73992	32	74310	54
71104	13	71384	17	71654	16	73126	73	73266	28	73363	30	73992	49	74312	54
71105	13	71385	17	71655	16	73127	73	73270	29	73364	30	73994	32	74320	54
71106	13	71400	17	71656	16	73128	72	73271	29	73364	49	73994	49	74321	54
71107	13	71404	17	71660	15	73129	72	73272	29	73365	30	73995	32	74322	54
71107	21	71405	17	71661	15	73130	73	73273	29	73365	49	73996	32	74323	54
71120	13	71500	15	71662	15	73131	73	73274	29	73366	30	73997	32	74330	54
71121	13	71501	15	71663	15	73132	74	73275	29	73366	49	74100	62	74331	54
71122	13	71502	15	71664	15	73133	74	73300	30	73370	31	74101	62	74370	54
71123	13	71503	15	71665	15	73134	49	73301	30	73370	49	74102	62	74371	54
71124	13	71504	15	71666	15	73134	74	73302	30	73371	31	74103	62	74380	54
71125	13	71505	15	71900	17	73135	49	73303	30	73372	31	74104	62	74381	54
71126	13	71506	15	71901	17	73135	74	73304	30	73373	31	74115	62	74382	54
71127	13	71520	15	71902	17	73136	74	73305	30	73374	31	74116	62	74383	55
71127	21	71521	15	71903	17	73141	74	73306	30	73374	49	74121	62	74384	55
71140	13	71522	15	71904	17	73200	28	73306	49	73375	31	74122	62	74385	55
71141	13	71523	15	71905	17	73201	28	73310	30	73375	49	74123	62	74386	55
71142	13	71524	15	71906	17	73202	28	73311	30	73440	31	74124	62	74390	55
71143	13	71525	15	71907	17	73203	28	73312	30	73444	31	74129	62	74391	55
71144	13	71526	15	71920	17	73204	28	73313	30	73444	49	74130	62	74392	55
71145	13	71540	15	71921	17	73205	28	73314	30	73445	31	74131	62	74393	55
71146	13	71541	15	71922	17	73206	28	73315	30	73445	49	74135	62	74394	55
71147	13	71542	15	71923	17	73210	29	73320	30	73540	31	74136	62	74395	55
71147	21	71543	15	71924	17	73211	29	73321	30	73544	31	74142	62	74396	55
71160	13	71544	15	71925	17	73212	29	73322	30	73544	49	74143	62	74397	55
71161	13	71545	15	71926	17	73213	29	73323	30	73545	31	74170	38	74398	55
71162	13	71546	15	71927	17	73214	29	73324	30	73545	49	74171	38	74500	48
71163	13	71560	15	71930	17	73215	29	73325	30	73811	65	74175	38	74671	45
71164	13	71561	15	71931	17	73220	28	73326	30	73813	65	74176	38	74672	45
71165	13	71562	15	71932	17	73221	28	73326	49	73821	65	74180	56	74673	45
71166	13	71563	15	71933	17	73222	28	73330	30	73823	65	74181	56	74674	45
71180	17	71564	15	71934	17	73223	28	73331	30	73825	65	74182	56	74675	45
71181	17	71565	15	71935	17	73224	28	73332	30	73829	65	74183	57	74676	45
71182	17	71566	15	71936	17	73225	28	73333	30	73831	65	74184	57	74677	45
71183	17	71600	15	71937	17	73226	28	73334	30	73833	65	74186	32	74678	45
71184	17	71601	15	73000	68	73230	29	73335	30	73835	65	74187	32	74679	45
71185	17	71602	15	73001	68	73231	29	73340	30	73840	65	74188	32	74680	45
71200	17	71603	15	73002	69	73232	29	73340	49	73841	65	74189	32	74681	45
71201	17	71604	15	73090	69	73233	29	73341	30	73859	65	74195	57	74682	45
71202	17	71605	15	73100	69	73234	29	73342	30	73862	65	74200	55	74683	45
71203	17	71606	15	73101	69	73235	29	73343	30	73864	65	74201	55	74684	45
71204	17	71610	16	73102	68	73240	28	73344	30	73882	65	74205	57	74685	45
71205	17	71614	16	73104	72	73241	28	73344	49	73884	65	74210	55	74686	45
71300	14	71615	16	73105	71	73242	28	73345	30	73885	65	74211	55	74687	45
71304	14	71616	16	73107	72	73243	28	73345	49	73886	65	74212	55	74688	45
71305	14	71620	15	73108	68	73244	28	73346	30	73887	65	74220	55	74689	45

QUICK GUIDE

Code	Page	Code	Page	Code	Page	Code	Page	Code	Page	Code	Page	Code	Page	Code	Page
74690	45	74753	43	74908	47	80007	105	82590	104	92679	122	93150	126	93630	125
74691	45	74754	43	74909	47	80010	105	82879	112	92686	122	93154	126	93640	125
74692	45	74755	43	74910	47	80011	105	82992	104	92687	122	93160	126	93641	125
74693	45	74756	43	74911	47	80015	105	87879	112	92688	122	93164	126	93650	125
74694	45	74757	43	74912	47	80016	105	87881	110	92689	122	93170	126	93651	125
74695	45	74758	43	74913	47	80017	105	87882	110	92692	122	93174	126	93660	125
74696	45	74759	43	74914	47	80020	105	87883	110	92693	122	93200	127	93661	125
74697	45	74760	43	74915	47	80021	105	90020	124	92694	122	93201	127	93662	125
74698	45	74761	43	74916	47	80025	105	90021	124	92695	122	93205	127	93671	125
74699	45	74762	43	74917	47	80026	105	90040	124	92708	122	93210	127	93700	125
74700	48	74763	43	74918	47	80030	106	90041	124	92709	122	93211	127	93701	125
74701	43	74764	43	74919	47	80031	106	90060	124	92710	123	93215	127	93712	125
74702	43	74765	43	74920	47	80032	106	90080	124	92711	123	93250	127	93713	125
74703	43	74771	43	74921	47	80033	106	90081	124	92954	69	93251	127	93714	125
74704	43	74773	43	74922	47	80040	106	90100	124	92955	69	93255	127	93720	125
74705	43	74774	43	74923	47	80041	106	90101	124	92956	69	93260	127	93730	125
74706	43	74775	43	74924	47	80052	24	90110	123	92965	122	93261	127	93731	125
74707	43	74776	43	74925	47	80070	104	90111	123	92966	122	93265	127	93732	125
74708	43	74777	43	74926	47	80071	104	90130	123	92967	122	93270	127	93733	125
74709	43	74778	43	74927	47	81000	106	90131	123	92971	79	93271	127	93734	125
74710	43	74780	43	74928	47	81001	106	90140	123	92973	79	93275	127	93735	125
74711	43	74781	43	74929	47	81001	119	90141	123	92974	79	93280	127	93800-10	128
74712	43	74782	43	74930	47	81010	106	90150	123	92976	24	93281	127	93806-10	128
74713	43	74783	43	74931	47	81011	106	90151	123	92976	79	93285	127	93808-10	128
74714	43	74784	43	74934	47	81032	24	90170	123	92977	24	93290	127	93820-10	128
74715	43	74785	43	74935	47	81032	119	90171	123	92977	79	93291	127	93826-10	128
74719	43	74786	43	74936	47	81033	24	90190	123	92978	24	93295	127	93828-10	128
74721	43	74787	45	74937	47	81033	119	90191	123	92978	79	93300	127	93840-10	128
74722	43	74788	45	74938	47	81034	24	90270	123	92981	79	93301	127	93846-10	128
74723	43	74789	45	74958	47	81035	24	90271	123	92983	79	93305	127	93848-10	128
74724	43	74790	45	74959	47	81040	104	90290	123	92984	79	93310	127	93860-10	128
74725	43	74791	45	74960	47	81041	119	90291	123	92986	24	93311	127	93866-10	128
74726	43	74792	45	74961	47	81090	107	92040	123	92986	79	93315	127	93868-10	128
74727	43	74793	45	74962	47	81091	107	92041	123	92987	24	93320	128	94001	124
74728	43	74794	45	74963	47	82110	107	92060	123	92987	79	93321	128	94040	124
74729	43	74795	45	74964	47	82111	107	92061	123	92988	24	93325	128	94080	124
74730	43	74796	45	74965	47	82120	107	92080	123	92988	79	93330	128	94090	89
74731	43	74797	45	74968	47	82121	107	92081	123	93010	126	93331	128	94091	89
74732	43	74798	45	74969	47	82130	107	92120	123	93011	126	93335	128	94094	89
74733	43	74799	45	74970	47	82131	107	92121	123	93015	126	93340	128	99917	150
74734	43	74808	45	74973	47	82190	108	92160	123	93020	126	93341	128	99990	150
74735	43	74841	47	74974	47	82191	108	92161	123	93021	126	93345	128	99991	150
74736	43	74849	47	74975	47	82200	108	92180	123	93025	126	93350	128	99993	150
74737	45	74858	43	74976	47	82201	108	92181	123	93030	126	93351	128	99994	150
74738	45	74859	43	74977	47	82210	108	92200	123	93031	126	93355	128	99995	125
74739	45	74860	43	74978	47	82211	108	92201	123	93035	126	93360	127	99995	150
74740	45	74861	43	74979	47	82220	107	92210	122	93050	126	93361	127	99996	150
74741	45	74862	43	74980	47	82221	107	92211	122	93051	126	93365	127		
74742	45	74863	43	74981	47	82222	107	92220	122	93055	126	93500	125		
74743	45	74864	43	74984	47	82230	108	92221	122	93100	126	93501	125		
74744	45	74865	43	74985	47	82231	108	92331	122	93104	126	93502	125		
74745	45	74866	45	74986	47	82240	108	92333	122	93110	126	93503	125		
74746	45	74867	45	74987	47	82241	108	92334	122	93114	126	93510	125		
74747	45	74868	45	74991	49	82250	107	92341	122	93120	126	93511	125		
74748	45	74869	45	74993	55	82251	107	92343	122	93124	126	93512	125		
74749	45	74870	45	74993	55	82252	107	92344	122	93130	126	93513	125		
74750	45	74871	45	74994	48	82260	104	92676	122	93134	126	93580	125		
74751	43	74872	45	80005	105	82280	108	92677	122	93140	126	93590	125		
74752	43	74906	47	80006	105	82580	104	92678	122	93144	126	93600	125		



ELECTRICAL
COMPONENTS
FACTORY

INDUSTRIAL PLUGS AND SOCKETS

- Industrial plugs and sockets ARGO series
- Reduced flange domestic/industrial sockets



CEE plugs and sockets

argo

The CEE plugs and sockets of the Argo series feature a sought-after design and an ergonomic shape that allows for easy, comfortable grip. The sockets use an innovative, extremely simplified, rapid wiring and opening system. They are produced in various different types: trailing, wall-mounted, flush-mounting and in variants for low and very low voltage, both IP44 and IP67.

They can be used for voltages of up to 690V and current of up to 32A.

Perfect for particularly harsh conditions outside domestic ambiances, such as industrial in general, agricultural and similar (both indoors and out).



TECHNICAL CHARACTERISTICS

LOUVRE
To open the lid one-handed

HOURS AVAILABLE
Available 6 and 9

PROTECTION CLASS
Various different protection classes available

IP44
IP67

CABLE CLAMP
CABLE SEAL
Tightens using screw-unscrew tools

CLICK BLOCK SYSTEM
New system for easy cable fixing

IK08 - IK09
High shock resistance (IK09 Plugs, IK08 Sockets)

ROUGH SURFACE
For a stronger grip

EYE BOLT
Facilitates attachment, release and connection

FACILITATED OPENING
The new system reduces the need for screwdrivers to a minimum

MATERIAL
Self-extinguishing, resistant to fire and shock

- Built in accordance with standards EN 60309 – 1/2
- Plugs and sockets recommended for use in various sectors: industrial, artisan, agricultural, construction, etc.
- Developed in self-extinguishing, heat and

- fire-resistant thermoplastic in accordance with standard IEC 695-2-1 (GLOW-WIRE test)
- High shock resistance, even at low temperatures (IK09 Plugs, IK08 Sockets)
- Available with protection class IP44 and IP67

Warnings:

- Interventions (assembly and maintenance) must be carried out by qualified personnel
- See technical guide at the end of the catalogue.

QUICK AND EASY WIRING

New opening system

The real new feature of these products lies in the new, quick and easy opening system! The use of the screwdriver for opening is limited to the mere pressing of a metal tongue in a specific hole. The system gains time and ease of installation.



Wiring in just 2 moves

The Argo series offers an innovative, patented wiring system called the Click Block System. The electrical connection is developed by a specific spring contact that allows for a better, longer-lasting seal. With the Click Block System, screwdriver use is limited to a minimum. The terminal block pins show the characteristic colours of the different polarities, alongside the terminal block the polarity symbols are printed in relief, in order to speed up electrical wiring and eliminate possible connection errors.

FURTHER ADVANTAGES

The entire Argo series is packaged in a practical, convenient Flow-Pack that protects the product and makes it ready for wall display. The Flow-Pack provides all indications as to product characteristics and the barcode.

1 Packaged individually in flow-packs, ready to hang and always perfect!

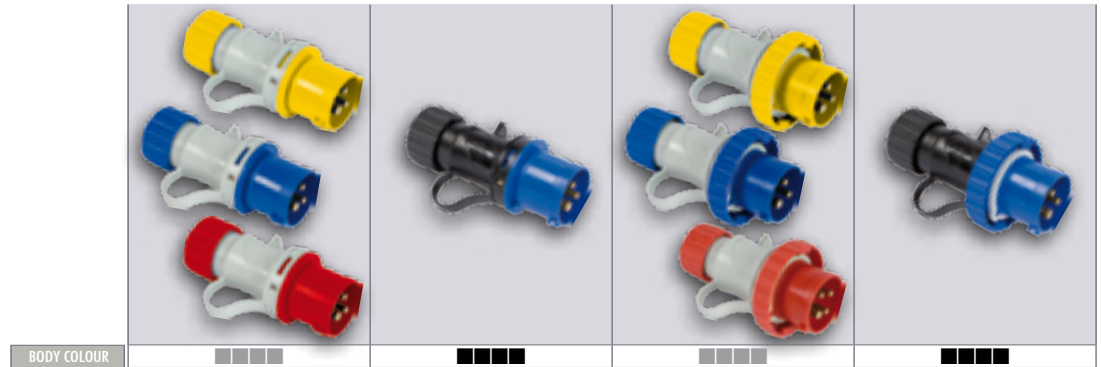
2 The plug is provided ready for use in the flow-pack!

3 The conductors connect with a simple 'click', pressing the open pins with your fingers. No more tools needed for connection!

4 No screwdriver required for closing either, thanks to the screwless bayonet closing system.

INDUSTRIAL PLUGS AND SOCKETS ARGO SERIES

- Quick wiring
- Low voltage
16A and 32A



Standard Versions

Amp	Number of poles	Ref. hours	Rated voltage	Certificati	TRAILING PLUGS			
					IP44		IP67	
16A	■ 2P+E	6h	200-250 V		70100	70107	70140	70147
	■ 3P+E	6h	380-415 V		70104		70144	
	■ 3P+N+E	6h	380-415 V		70105		70145	
Packaged/Packed 16A					10/40	10/40	10/40	10/40
Packaging					Flow Pack	Flow Pack	Flow Pack	Flow Pack
32A	■ 2P+E	6h	200-250 V		70120	70127	70160	
	■ 3P+E	6h	380-415 V		70124		70164	
	■ 3P+N+E	6h	380-415 V		70125		70165	
Packaged/Packed 16A					5/20	5/20	5/20	5/20
Packaging					Flow Pack	Flow Pack	Flow Pack	Flow Pack

Special 4h and 9h versions (other standards available on request)

Amp	Number of poles	Ref. hours	Rated voltage	Certificazioni	TRAILING PLUGS			
					IP44		IP67	
16A	■ 2P+E	4h	110-130 V		70126		70146	
	■ 2P+E	9h	380-415 V		70103		70143	
	■ 3P+E	9h	200-250 V		70101		70141	
	■ 3P+N+E	9h	200-250 V		70102		70142	
Packaged/Packed 16A					10/40		10/40	
Packaging					Flow Pack		Flow Pack	
32A	■ 2P+E	4h	110-130 V		70106		70167	
	■ 2P+E	9h	380-415 V		70123		70163	
	■ 3P+E	9h	200-250 V		70121		70161	
	■ 3P+N+E	9h	200-250 V		70122		70162	
Packaged/Packed 32A					5/20		5/20	
Packaging					Flow Pack		Flow Pack	

TECHNICAL NOTES

▼ PROTECTION CLASS

IP44: protection class for environments where there are no particular risks with regard to water and dust, protected from rain and spray. Not suitable for dusty environments.

IP67: the product is also protected in permanently dusty environments or those subject to temporary flooding. This

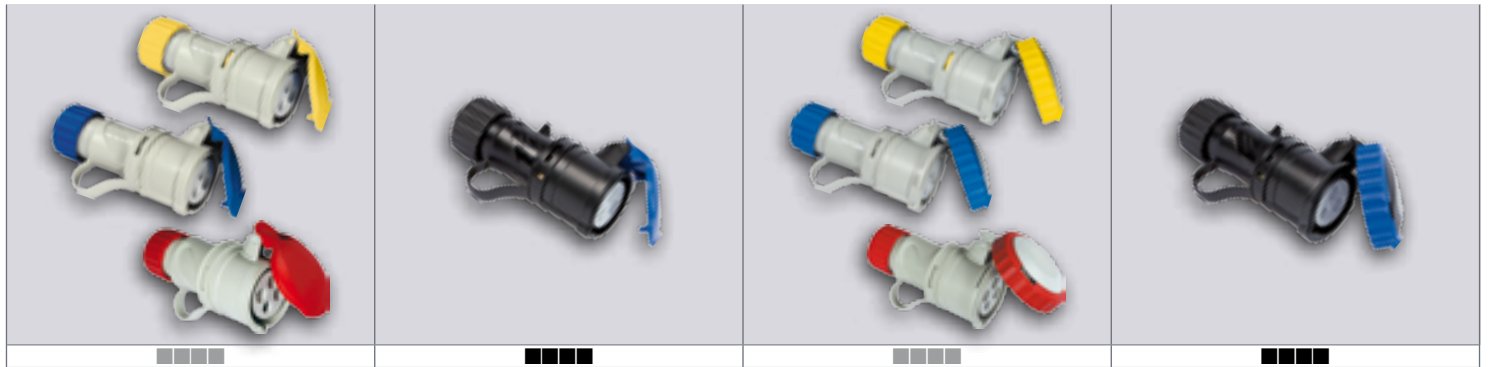
protection class is recommended by the standards where there is a risk of plugs and sockets ending up in puddles or similar conditions.

▼ CE MARKING

The products are CE marked in compliance with European Directives.

▼ HOURS AVAILABLE

The reference to hours in low voltage takes place in two ways:
1) an increased earth contact as compared with the other contacts;
2) a tongue on the plug that meets with a channelling on the socket therefore considers the hourly position of the



TRAILING SOCKETS

IP44

IP67

IP44		IP67	
71100	71107	71140	71147
71104		71144	
71105		71145	
10/40	10/40	10/40	10/40
Flow Pack	Flow Pack	Flow Pack	Flow Pack
71120	71127	71160	
71124		71164	
71125		71165	
5/20	5/20	5/20	
Flow Pack	Flow Pack	Flow Pack	

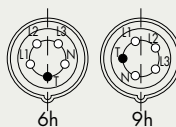
TRAILING SOCKETS

IP44

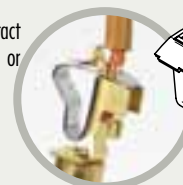
IP67

IP44		IP67	
71126		71146	
71103		71143	
71101		71141	
71102		71142	
10/40		10/40	
Flow Pack		Flow Pack	
71106		71166	
71123		71163	
71121		71161	
71122		71162	
5/20		5/20	
Box		Box	

earth contact (with front view of the socket) as compared with the guide channel (always positioned at 6 o'clock), thereby preventing insertions between non-compliant sockets and plugs in terms of capacity, voltage, frequency and number of poles (for further specifications, see the technical guide at the end of the catalogue).



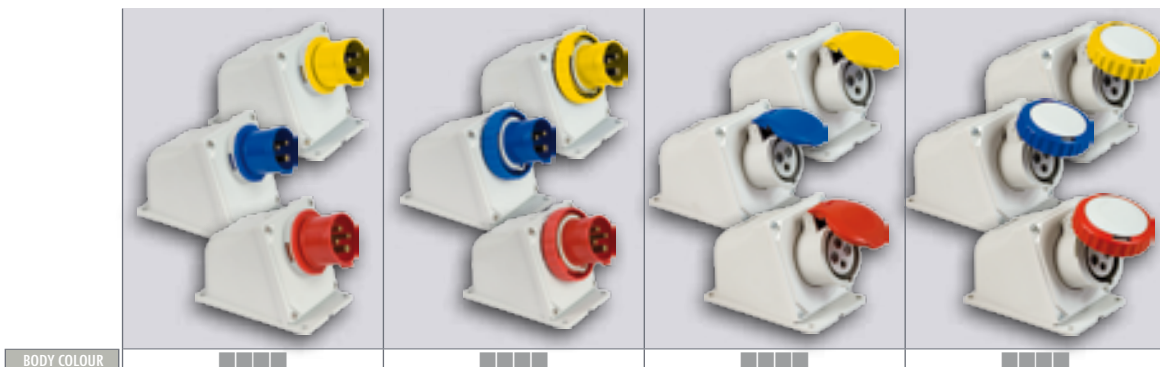
Hour position of safety contact seen from the front of the socket or connection.



The guillotine fixing system of the harmonic steel core spring guarantees a more reliable, resistant cable contact over time than any other system.

INDUSTRIAL PLUGS AND SOCKETS ARGO SERIES

- Quick wiring
- Low voltage
16A and 32A



BODY COLOUR

Standard Versions

Nominal current	Number of poles	Ref. hours	Rated voltage	WALL MOUNTING PLUGS 90X135 mm		WALL MOUNTING SOCKETS 90X135 mm	
				IP44	IP67	IP44	IP67
16A	2P+E	6h	200-250 V	70300	70306	71300	71306
	3P+E	6h	380-415 V	70304	70307	71304	71307
	3P+N+E	6h	380-415 V	70305	70308	71305	71308
Packaged/Packed 16A				1/10	1/10	1/10	1/10
Packaging				Box	Box	Box	Box

32A	2P+E	6h	200-250 V	70320	70326	71320	71326
	3P+E	6h	380-415 V	70324	70327	71324	71327
	3P+N+E	6h	380-415 V	70325	70328	71325	71328
Packaged/Packed 32A				1/10	1/10	1/10	1/10
Packaging				Box	Box	Box	Box

Special 4h and 9h versions (other standards available on request)

Nominal current	Number of poles	Ref. hours	Rated voltage	WALL MOUNTING PLUGS 90X135 mm		WALL MOUNTING SOCKETS 90X135 mm	
				IP44	IP67	IP44	IP67
16A	2P+E	4h	110-130 V	70310	70316	71310	71316
	2P+E	9h	380-415 V				
	3P+E	9h	200-250 V				
	3P+N+E	9h	200-250 V				
Packaged/Packed 16A				1/10	1/10	1/10	1/10
Packaging				Box	Box	Box	Box

32A	2P+E	4h	110-130 V	70330	70336	71330	71336
	2P+E	9h	380-415 V				
	3P+E	9h	200-250 V				
	3P+N+E	9h	200-250 V				
Packaged/Packed 32A				1/10	1/10	1/10	1/10
Packaging				Box	Box	Box	Box

Accessories compatible with the Argo low voltage series

Code	Description	Page	Code	Description	Page	Code	Description	Page			
	73996 Wall case for Argo flush-mounting plugs and sockets	32		74188 Flange 74186 74187	32		74180 Blind empty 74181 ULISSE 74182	56		74195 Pre-drilled boards 74205 ULISSE	56



FLUSH-MOUNTING PLUGS 90x100 mm	FLUSH-MOUNTING SOCKETS 90x100 mm *				
	STRAIGHT	STRAIGHT		ANGLED	
		IP44	IP67	IP44	IP67
		71500	71540	71600	71640
		71504	71544	71604	71644
		71505	71545	71605	71645
	1/5	1/5	1/5	1/5	1/5
	Box	Box	Box	Box	Box

	71520	71560	71620	71660
	71524	71564	71624	71664
	71525	71565	71625	71665
	1/5	1/5	1/5	1/5
	Box	Box	Box	Box

FLUSH-MOUNTING PLUGS 90x100 mm	FLUSH-MOUNTING SOCKETS 90x100 mm *				
	STRAIGHT	STRAIGHT		ANGLED	
		IP44	IP67	IP44	IP67
70446	71506	71546	71606	71646	
	71503	71543	71603	71643	
	71501	71541	71601	71641	
	71502	71542	71602	71642	
1/10	1/5	1/5	1/5	1/5	
Box	Box	Box	Box	Box	

70466	71526	71566	71626	71666
	71523	71563	71623	71663
	71521	71561	71621	71661
	71522	71562	71622	71662
1/10	1/5	1/5	1/5	1/5
Box	Box	Box	Box	Box

* The STAINLESS STEEL screws are supplied with the wall boxes code 73996. For installation on blind boards or panel, use the 4-screw kit code 73988 and fixing kit code 73989.

Code	Description	See Page
73987	Kit 4 TSP + self-tapping screws 3x20 ZnB for sockets for industrial/household appliances with flange 50x62mm	18

Code	Description	See Page
73988	Kit 4 TCB 4X24 stainless steel screws for sockets for industrial appliances	32

Code	Description	See Page
73989	Fixing device for sockets 18/32 for industrial/household appliances with flange 50x62mm and 90x100 mm	

INDUSTRIAL PLUGS AND SOCKETS ARGO SERIES

- Quick wiring
- Low voltage 16A

SUITABLE FOR THE MOST WIDELY USED BOARDS



BODY COLOUR

Standard Versions

Nominal current	Number of poles	Ref. hours	Rated voltage	ANGLED FLUSH-MOUNTING SOCKETS 75x85 mm *		FLUSH-MOUNTING REDUCED FLANGE SOCKETS 50x62 mm **	
				CURVED		IP44	IP67
16A	2P+E	4h	110-130 V	71616	71656		
	2P+E	6h	200-250 V	71610	71650	71085	71087
	3P+E	6h	380-415 V	71614	71654		
	3P+N+E	6h	380-415 V	71615	71655		
Packaged/Packed 16A				1/5	1/5	20/80	20/80
Packaging				Box	Box	Box	Box

* The STAINLESS STEEL screws are supplied with the Ulisse boards 74195 and 74205.

For installation on blind boards or panels, use the 4-screw kit code 73988 and fixing kit code 73989.

** Use the TSP flared head self-tapping screws with Ø 3. For installation on blind boards or panel use the 4-screw kit 73987 and the fixing kit 72989.

Accessories compatible with the Argo low voltage series pre-drilled

Code	Description	See page
73996	Wall case for Argo flush-mounting plugs and sockets	32



Code	Description	See page
73987	Kit 4 TSP + self-tapping screws 3x20 ZnB for sockets for industrial/household appliances with flange 50x62mm	18



Code	Description	See page
74188	Flange	32
74186		
74187		



Code	Description	See page
73988	Kit 4 TCB 4X24 stainless steel screws for sockets for industrial appliances	18



Code	Description	See page
74180	Blind empty Ulisse board IP65	56
74181		
74182		



Code	Description	See page
73989	Fixing device for sockets for industrial/household appliances with flange 50x62mm and 90x100 mm	32

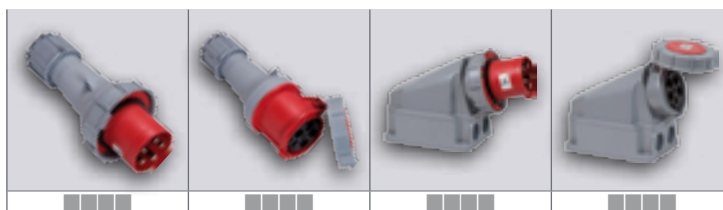


Code	Description	See page
74195	Pre-drilled Ulisse board	56
74205		



INDUSTRIAL PLUGS/SOCKETS TRADIZIONAL SERIES

• 63A and 125A



Standard Versions

Nominal current	Number of poles	Ref. hours	Rated voltage	TRAILING PLUGS	TRAILING SOCKETS	WALL MOUNTING PLUGS	WALL MOUNTING SOCKETS
				IP67	IP67	IP67	IP67
63A	2P+E	6h	200-250 V	70180	71180	70380	71380
	3P+E	6h	380-415 V	70184	71184	70384	71384
	3P+N+E	6h	380-415 V	70185	71185	70385	71385
Packaged/Packed 63A Packaging				1/2 Box	1/2 Box	1/2 Box	1/2 Box
125A	2P+E	6h	200-250 V	70200	71200	70400	71400
	3P+E	6h	380-415 V	70204	71204	70404	71404
	3P+N+E	6h	380-415 V	70205	71205	70405	71405
Packaged/Packed 125A Packaging				1/2 Box	1/2 Box	1/2 Box	1/2 Box

Special Versions

Nominal current	Number of poles	Ref. hours	Tensione Nominale	TRAILING PLUGS	TRAILING SOCKETS	WALL MOUNTING PLUGS	WALL MOUNTING SOCKETS
				IP67	IP67	IP67	IP67
63A	2P+E	9h	380-415 V	70183	71183		
	3P+E	9h	200-250 V	70181	71181		
	3P+N+E	9h	200-250 V	70182	71182		
Packaged/Packed 63A Packaging				1/2 Box	1/2 Box		
125A	2P+E	9h	380-415 V	70203	71203		
	3P+E	9h	200-250 V	70201	71201		
	3P+N+E	9h	200-250 V	70202	71202		
Packaged/Packed 125A Packaging				1/2 Box	1/2 Box		

VERY LOW VOLTAGE INDUSTRIAL PLUGS/SOCKETS

• 63A and 125A



Standard Versions

Nominal current	Number of poles	Ref. hours	Rated voltage	TRAILING PLUGS	TRAILING SOCKETS	WALL MOUNTING PLUGS	WALL MOUNTING SOCKETS	FLUSH-MOUNTING PLUGS	FLUSH-MOUNTING SOCKETS
				IP44	IP44	IP44	IP44	IP44	IP44
16A	2P	—	24 V	70900	71900	70920	71920	70930	71930
	3P	—	24 V	70901	71901	70921	71921	70931	71931
	2P	12 h	42 V	70902	71902	70922	71922	70932	71932
	3P	12 h	42 V	70903	71903	70923	71923	70933	71933
Packaged/Packed 63A Packaging				10/10	10/10	10/10	10/10	10/10	10/10
32A	2P	—	24 V	70904	71904	70924	71924	70934	71934
	3P	—	24 V	70905	71905	70925	71925	70935	71935
	2P	12 h	42 V	70906	71906	70926	71926	70936	71936
	3P	12 h	42 V	70907	71907	70927	71927	70937	71937
Packaged/Packed 63A Packaging				10/10	10/10	10/10	10/10	10/10	10/10

TECHNICAL NOTES

▼ PROTECTION CLASS

IP44: protection class for environments where there are no particular risks with regard to water and dust, protected from rain and spray. Not suitable for dusty environments.

IP67: the product is also protected in permanently dusty environments or those subject to temporary flooding. This protection class is recommended by the standards where there is a risk of plugs and sockets ending up in puddles or similar conditions.

▼ CE MARKING

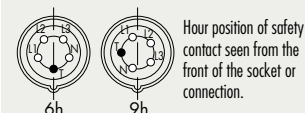
The products are CE marked in compliance with European Directives.

P.S. Products with voltages of < 50V are excluded from the L.V. Directive and are therefore not CE marked.

▼ HOUR REFERENCE

The reference to hours in **LOW VOLTAGE** takes place in two ways:

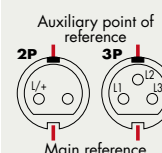
- 1) an increased earth contact as compared with the other contacts;
- 2) a tongue on the plug that meets with a channelling on the socket therefore considers the hourly position of the earth contact (with front view of the socket) as compared with the guide channel (always positioned at 6 o'clock), thereby preventing insertions between non-compliant sockets and plugs in terms of capacity, voltage, frequency and number of poles (for further specifications, see the technical guide at the end of the catalogue).



The hours reference for very **LOW VOLTAGE** is developed by means of: viene realizzato mediante:

- 1) a main reference;
- 2) an auxiliary reference.

In this case too, the references serve to prevent insertions between non-compliant plugs and sockets in terms of capacity, voltage, frequency and number of poles.



REDUCED FLANGE DOMESTIC INDUSTRIAL SOCKETS



71093



71094



71085



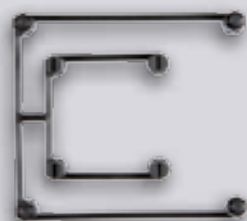
71083



71084



73987



73989

GENERAL SPECIFICATIONS

- Built in compliance with standards: CEI 23-50, IEC 60884-1, EN60309-1/2;
- Supplied with spring-closure lid;
- Equipped with seal that acts as piercing template;
- Suitable for all different systems, thanks to the limited dimensions of the fixing flange (50x62 mm) and the flush-mounting depth of 32 mm.

WARNING

- When plugged in, protection class becomes IP20 for domestic versions.



Code	Description	Outlets	Socket Type	IP	Colour	Packaging	No. pcs.
71093	Flush-mounting socket	1	2P+E 16A Italian and German std.	44		20 pcs.	80



Code	Description	Outlets	Socket Type	IP	Colour	Packaging	No. pcs.
71094	Flush-mounting socket	1	2P+E 16A French standard	44		20 pcs.	80



Code	Description	Outlets	Socket Type	IP	Colour	Packaging	No. pcs.
71085	Flush-mounting socket	1	CEE 16A 220V	44		20 pcs.	80



Code	Description	Outlets	Socket Type	IP	Colour	Packaging	No. pcs.
71083	Flush-mounting socket	2	2P+E 16 A Italian and German std.	44		20 pcs.	80



Code	Description	Outlets	Socket Type	IP	Colour	Packaging	No. pcs.
71084	Flush-mounting socket	1	2P+E 16A Italian and German std.	44		20 pcs.	80

Installation accessories

Code	Description	Packaging	No. pcs.
73987	Kit 4 TSP + self-tapping screws 3x20 ZnB for sockets for industrial/household appliances with flange 50x62 mm	Bag	20

Code	Description	Packaging	No. pcs.
73989	Fixing device for sockets for industrial/household appliances with flange 50x62mm and 90x100 mm	Bag	5

2010
2011

INDUSTRIAL PLUGS AND SOCKETS



ELECTRICAL
COMPONENTS
FACTORY

ENTERTAINMENT PLUGS AND SOCKETS

- "ARGO Black" plugs and sockets
- "Hi-Pro" professional plugs and sockets



CEE plugs and sockets

argo
black

New 'Argo Black' plugs and sockets, the ideal solution for entertainment, nightclubs, trade fair stands, etc..

They retain all the excellent characteristics of their grey 'sister' product.

The innovative black colouring allows for discretion and elegance, making it particularly suitable for installation in areas where plugs and sockets must not be noted in the dark. Available in various different types: trailing, wall-mounted, flush-mounting and in variants for low voltage, both IP44 and IP67.

They can be used for voltages of up to 690V and current of up to 32A.

Perfect for particularly severe use conditions outside the domestic environment.



ENTERTAINMENT PLUGS AND SOCKETS

▼ GENERAL SPECIFICATIONS

- Built in accordance with standards EN 60309 – 1/2;
- Plugs and sockets recommended for use in various environments: theatres, concerts, trade fairs, exhibitions, etc.;
- Developed in self-extinguishing, heat and fire-resistant thermoplastic in accordance with standard IEC 695-2-1 (GLOW-WIRE test);
- High shock resistance, even at low temperatures (IK09 Plugs, IK08 Sockets);
- Available with protection class IP44 and IP67.

▼ WARNING

- Interventions (assembly and maintenance) must be carried out by qualified personnel;
- See technical guide at the end of the catalogue.



Code	Description	Colour	Packaging	No. pieces
70107	Straight plug Argo - 2P+E 230V 16A 6h - IP44	■■■■■	Flow Pack 10 pcs.	40
70127	Straight plug Argo - 2P+E 230V 32A 6h - IP44	■■■■■	Flow Pack 5 pcs.	20

Code	Description	Colour	Packaging	No. pieces
70147	Straight plug Argo - 2P+E 230V 16A 6h - IP67	■■■■■	Flow Pack 10 pcs.	40

Code	Description	Colour	Packaging	No. pieces
71107	Trailing socket Argo - 2P+E 230V 16A 6h - IP44	■■■■■	Flow Pack 10 pcs.	40
71127	Straight socket Argo - 2P+E 230V 32A 6h - IP44	■■■■■	Flow Pack 5 pcs.	20

Code	Description	Colour	Packaging	No. pieces
71147	Trailing socket Argo - 2P+E 230V 16A 6h - IP67	■■■■■	Flow Pack 10 pcs.	40

Code	Description	Colour	Packaging	No. pieces
71087	Flush-mounting socket CEE 16A 220V -IP44	■■■■■	20 pcs.	80



70107



70147



71107



71147



71087

2010
2011

ENTERTAINMENT PLUGS AND SOCKETS



HI-PRO
PROFESSIONAL

Series for professional use

hi-pro

The new plugs and sockets have a sought-after design and ergonomic form that makes grip comfortable.

The technical polymer used grants resistance to all weather and use conditions and adds a particular non-slip effect characteristic for better grip.

The series can be used for voltages of up to 250V and currents of up to 16A. Also recommended for professional use.

All the series products are protected by European patent.



TECHNICAL CHARACTERISTICS

MATERIAL
Non-slip material for a better grip

STANDARDS
available to meet German and French standards

SCREWS
Steel screws resistant to chemical and biological agents

PROTECTION CLASS
protection class IP44

FEET
avoid contact with the ground, protecting the product

LID
removable with two screws to speed up wiring

LOCKING SYSTEM
makes it safe against improper use

EYE BOLT
facilitates attachment, release and connection

ERGONOMIC DESIGN
for a better grip

CABLE CLAMP
captive type, quick-acting cable clamp

QUICK-ACTING CABLE CLAMP

Captive, quick-acting cable clamp allows to block the cable in place (with no screws required), by simply rotating the ring nut. The possibility of blocking the ring nut by simply rotating a locking element between the ring nut and product body, is a fundamental characteristic for user safety. In this way, it cannot be tampered with by unauthorised persons, such as children.



ALSO SUITABLE FOR PROFESSIONAL USE



The Hi-Pro series is suitable for professional use and does not require any resistant products. It is able to withstand various different weather and use conditions, even the most severe.



The eye bolt fitted to the Hi-Pro facilitates connection for attachment and detachment and for environments for use where there is dust, humidity and oils. The product can be protected against damage or the onset of danger situations (treading on it or pools of water), because it is easy to hang up.

PROFESSIONAL GERMAN/FRENCH SERIES

▼ GENERAL SPECIFICATIONS

- Manufactured compliant to DIN VDE 0620-1;
- Body and terminal blocks in highly heat, shock and oil resistant special polymers;
- IP44 protection level;
- All contacts are in nickel-plated brass;
- Cable clamp with screws;
- Voltage: 250V.

▼ WARNING

- For the connection do not use a cable smaller than 1 mm².



80052



81032



81033



92976



Code	Description	Colour	Packaging	No. pcs.
80052	Professional plug 2P+E 16A German std. - IP44	■■■■■	In bulk	20



Code	Description	Colour	Packaging	No. pcs.
81032	Professional socket 2P+E 16A German std. - IP44	■■■■■	In bulk	20



81034	Professional socket 2P+E 16A French std. - IP44	■■■■■	In bulk	20
-------	--	-------	---------	----



Code	Description	Colour	Packaging	No. pcs.
81033	Connector with sockets 3 x 2P+E 16A German std. rubber made - IP44	■■■■■	In bulk	10



81035	Professional connector with 3 sockets 2P+E 16A French std. - IP44	■■■■■	In bulk	10
-------	--	-------	---------	----

- Very easy to mount or replace the cable thanks to the terminal block block strip and lid with 2 screws.
- Equipped with slot to hook up if necessary to suspended.

■ IP44 linear patch cords with H07RN-F cable



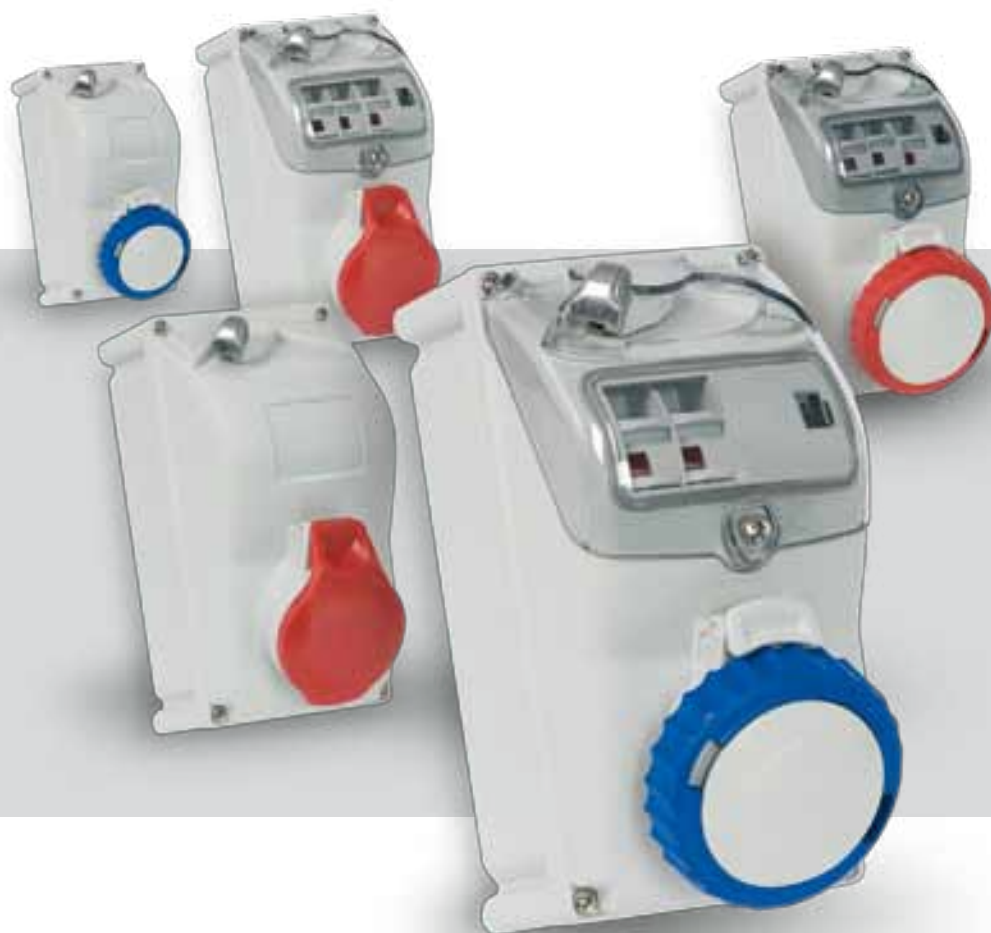
Code	Length.	Cable mm ²	Plug	Socket	Colour	Packaging	No. pcs.
92976	5 m	3x1.50	2P+E 16A	3x2P+E 16A	■■■■■	Shrink film	1
92977	10 m	3x1.50	2P+E 16A	3x2P+E 16A	■■■■■	Shrink film	1
92978	20 m	3x1.50	2P+E 16A	3x2P+E 16A	■■■■■	Shrink film	1
92986	5 m	3x2.50	2P+E 16A	3x2P+E 16A	■■■■■	Shrink film	1
92987	10 m	3x2.50	2P+E 16A	3x2P+E 16A	■■■■■	Shrink film	1
92988	20 m	3x2.50	2P+E 16A	3x2P+E 16A	■■■■■	Shrink film	1



ELECTRICAL
COMPONENTS
FACTORY

INTERLOCKED SWITCH SOCKETS

- "Key Block" interlocked-switch sockets



Interlocked-switch sockets

key-block

The Key block interlocked sockets are high performance products.

The design, choice of materials, compact dimensions and the search for innovative solutions such as the brand new lever/switch with removable aluminium key, put this product right at the top of its category. Practical and easy to assemble thanks to the location of the connection terminal blocks and wire entry.

Useful for industrial systems both in industry and crafts, Key Blocks are compact, safe and aesthetically pleasing. Produced with and without fuses, for flush-mounting or wall-mounted assembly.



TECHNICAL CHARACTERISTICS

REMOVABLE ALUMINIUM KEY
With the key removed, the command lever cannot be enabled

LEVER SWITCH
With removable key

FUSES
Practical location and easy to replace

TRIP
Automatic with opening of fuse box

LED LIGHT
Failed fuse warning

SCREWS
All in STAINLESS steel resistant to chemical agents

CABLE IN
Four arrangements for cable entry

PROTECTION CLASS
Available with protection class IP44 and IP67

SELF-EXTINGUISHING
Material resistant to fire and shock

HOURS AVAILABLE
Available 6 and 9

- Built with reference to standards IEC EN 60309-1 and IEC EN 60309-2.
- For use in normal, industrial, service, site and agricultural environments, we propose a range of interlocked sockets with mechanical block.
- Available with protection class IP44 and IP67, they are built entirely from self-extinguishing thermoplastic material, resistant to shocks, thermal excursion and ageing.

- Inter-locked sockets are developed with double insulation.
- Casing (grey RAL 7035) is supplied with push-through holes for cable entry.
- 4 screw-covers supplied to guarantee double insulation.
- Protected against mechanical impact IK09
- Use type 10x38 mm fuses
- The STAINLESS STEEL screws for the plastic

parts are quick step to reduce intervention times.

Warnings:

- Interventions such as assembly and maintenance must be carried out by qualified personnel
- See technical guide at the end of the catalogue.

EXCLUSIVE, PATENTED SOLUTIONS



Removable key for trip block.



Failed fuse warning light



Possibility of connecting the switch with Ø 10mm conductors (both for 16 and 32A versions)



Attractive, compact design.



Screwless earth conductor connection, max. Ø 4mm; Ø 10mm on 32A

FLUSH-MOUNTING INTERLOCKED SOCKETS

- 16A
- 32A



FUSES	W/O fuses	W/O fuses
BODY COLOUR	■ ■ ■ ■	■ ■ ■ ■

Standard Version

Nominal current	Number of poles	Ref. hours	Rated voltage	KEY BLOCK FLUSH-MOUNTING SOCKETS *	
				IP44	IP67
16A	■ 2P+E	6 h	200-250 V	73200 Ⓢ	73240 Ⓢ
	■ 3P+E	6 h	380-415 V	73204 Ⓢ	73244 Ⓢ
	■ 3P+N+E	6 h	380-415 V	73205 Ⓢ	73245 Ⓢ
Packaged/Packed 16A				1	1
Packaging				Box	Box

32A	■ 2P+E	6 h	200-250 V	73220	73260
	■ 3P+E	6 h	380-415 V	73224	73264
	■ 3P+N+E	6 h	380-415 V	73225	73265
Packaged/Packed 32A				1	1
Packaging				Box	Box

Special 4h and 9h versions (other standards available on request)

Nominal current	Number of poles	Ref. hours	Rated voltage	KEY BLOCK FLUSH-MOUNTING SOCKETS	
				IP44	IP67
16A	■ 2P+E	4 h	110-130 V	73206	73246
	■ 2P+E	9 h	380-415 V	73203	73243
	■ 3P+E	9 h	200-250 V	73201	73241
	■ 3P+N+E	9 h	200-250 V	73202	73242
Packaged/Packed 16A				1	1
Packaging				Box	Box

32A	■ 2P+E	4 h	110-130 V	73226	73266
	■ 2P+E	9 h	380-415 V	73223	73263
	■ 3P+E	9 h	200-250 V	73221	73261
	■ 3P+N+E	9 h	200-250 V	73222	73262
Packaged/Packed 16A				1	1
Packaging				Box	Box



KEY BLOCK FLUSH-MOUNTING SOCKETS *

IP44	IP67
73210	73250
73214	73254
73215	73255
1	1
Box	Box

73230	73270
73234	73274
73235	73275
1	1
Box	Box

* STAINLESS STEEL screws are supplied in the wall-mounted versions and in accessories for interlocked sockets (Wall boxes/flush-mounting and control units).

KEY BLOCK FLUSH-MOUNTING SOCKETS

IP44	IP67
73213	73253
73211	73251
73212	73252
1	1
Box	Box

73233	73273
73231	73271
73232	73272
1	1
Box	Box

Spare parts for Key Block

Code	Description	See page
73992	KEY BLOCK aluminium key	32
73994	KEY BLOCK fuse door	32



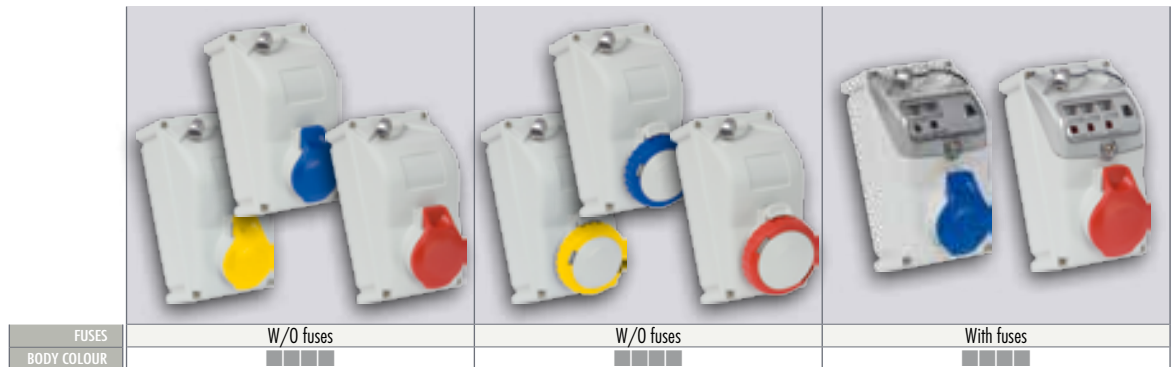
Compatible accessories

Code	Description	See page
73990	Wall box for Key Block sockets fitted with screw covers	32
74189	Blind flange 180x90mm suitable for empty Ulisse boards and for part num. 73990 - 73991	32
73997	M32 connection fitted with nuts	32
73991	Wall box for Key Block sockets fitted with wall frame	32
73995	Spacer to be used as horizontal connection between wall boxes for Key Block sockets	32
74170 74171 74175 74176	Installation board IP65	56
74183 74184	Empty Ulisse board IP55	56



WALL-MOUNTED INTERLOCKED SOCKETS

- 16A
- 32A
- 63A



Standard Version

Nominal current	Number of poles	Ref. hours	Rated voltage	KEY BLOCK WALL-MOUNTED SOCKETS		
				IP44	IP67	IP44
16A	■ 2P+E	6 h	200-250 V	73300	73340	73310
	■ 3P+E	6 h	380-415 V	73304	73344	73314
	■ 3P+N+E	6 h	380-415 V	73305	73345	73315
Packaged/Packed 16A				1	1	1
Packaging				Box	Box	Box

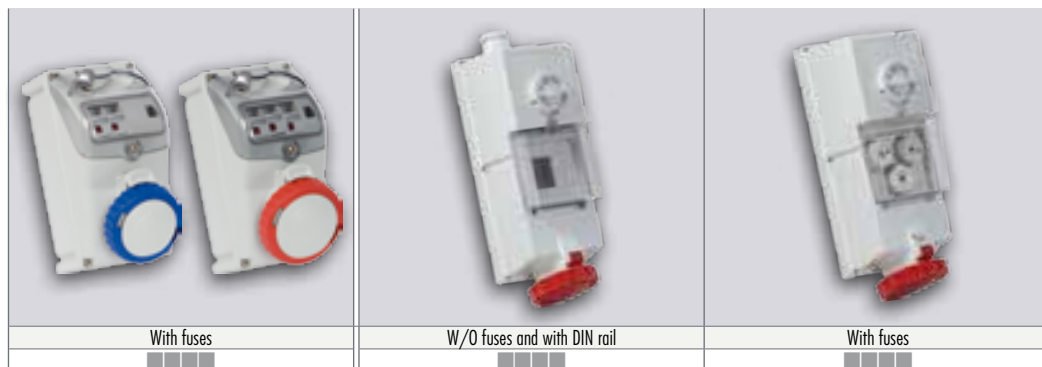
32A	■ 2P+E	6 h	200-250 V	73320	73360	73330
	■ 3P+E	6 h	380-415 V	73324	73364	73334
	■ 3P+N+E	6 h	380-415 V	73325	73365	73335
Packaged/Packed 32A				1	1	1
Packaging				Box	Box	Box

63A	■ 2P+E	6 h	200-250 V			
	■ 3P+E	6 h	380-415 V			
	■ 3P+N+E	6 h	380-415 V			
Packaged/Packed 63A						
Packaging						

Special 4h and 9h versions (other standards available on request)

Nominal current	Number of poles	Ref. hours	Rated voltage	KEY BLOCK WALL-MOUNTED SOCKETS		
				IP44	IP67	IP44
16A	■ 2P+E	4 h	110-130 V	73306	73346	
	■ 2P+E	9 h	380-415 V	73303	73343	73313
	■ 3P+E	9 h	200-250 V	73301	73341	73311
	■ 3P+N+E	9 h	200-250 V	73302	73342	73312
Packaged/Packed 16A				1	1	1
Packaging				Box	Box	Box

32A	■ 2P+E	4 h	110-130 V	73326	73366	
	■ 2P+E	9 h	380-415 V	73323	73363	73333
	■ 3P+E	9 h	200-250 V	73321	73361	73331
	■ 3P+N+E	9 h	200-250 V	73322	73362	73332
Packaged/Packed 16A				1	1	1
Packaging				Box	Box	Box



KEY BLOCK WALL-MOUNTED SOCKETS	WALL-MOUNTED SOCKETS	
IP67	IP55	IP55
73350		
73354		
73355		
1		
Box		

73370		
73374		
73375		
1		
Box		

	73440	73540
	73444	73544
	73445	73545
	1	1
	Box	Box

KEY BLOCK WALL-MOUNTED SOCKETS	WALL-MOUNTED SOCKETS	
IP67	IP55	IP55
73353		
73351		
73352		
1		
Box		

73373		
73371		
73372		
1		
Box		

TECHNICAL NOTES

▼ PROTECTION CLASS

IP44: protection class permitted for environments where there are no particular risks with regard to water and dust, protected from rain and spray. Not suitable for dusty environments.

IP67: the product is protected even in permanently dusty environments or those subject to temporary flooding.

▼ FUSES NOT SUPPLIED

They must be chosen according to the utility to be powered (e.g.: for gM and aM type engines). Use 10x38 on 16 and 32A; 27x50 on 63A.

▼ CE MARKING

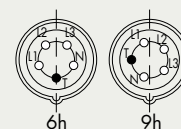
The products are CE marked in compliance with European Directives.

▼ HOURS AVAILABLE

The reference to hours in **LOW VOLTAGE** takes place in two parts:

1) an increased earth contact as compared with the other contacts;

2) a tongue on the plug that meets with a channelling on the socket therefore considers the hourly position of the earth contact (with front view of the socket) as compared with the guide channel (always positioned at 6 o'clock), thereby preventing insertions between non-compliant sockets and plugs in terms of capacity, voltage, frequency and number of poles (for further specifications, see the technical guide at the end of the catalogue).



Hour position of safety contact seen from the front of the socket or connection.



73990

74189



73991



73992



73994



73995



73996

74188



74186

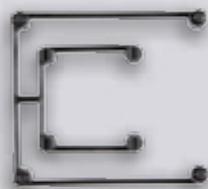
74187



73997



73988



73989

ACCESSORIES FOR KEY BLOCK AND ARGO SOCKETS

■ Accessories for Key Block socket series

Code	Description	Colour	Packaging	No. pieces	CE
73990	Wall box for Key Block sockets - fitted with screw covers	■ ■ ■ ■ ■	In bulk	10	CE
73991	Wall box for Key Block sockets fitted with wall frame	■ ■ ■ ■ ■	Shrink film	6	CE
73992	"Key Block" aluminium key	■ ■ ■ ■ ■	Bag 10 pcs.	10	CE
73994	"Key Block" fuse door	■ ■ ■ ■ ■	Bag	1	CE
73995	Spacer to be used as horizontal connection between wall boxes for Key Block sockets	■ ■ ■ ■ ■	Bag	6	CE
74189	Blind flange 180x90mm - suitable for empty Ulisse boards and for part num. 73990 – 73991	■ ■ ■ ■ ■	Bag	12	CE

■ Accessories for Argo socket series

Code	Description	Colour	Packaging	No. pieces	CE
73996	Wall case for Argo flush-mounting plugs and sockets	■ ■ ■ ■ ■	Shrink film	10	CE
74186	Blind flange - size 75x85mm + kit screws cod. 73987 domestic industrial sockets 50x62 mm	■ ■ ■ ■ ■	Bag	20	CE
74187	Drilled flange with housing for sockets reduced flange 50x62mm dim.: 75x85 mm	■ ■ ■ ■ ■	Bag	20	CE
74188	Blind flange - size 100x90mm - suitable for part num. 73996	■ ■ ■ ■ ■	Bag	20	CE
73997	M32 connection fitted with nuts for wall box "Argo" and "Key Block"	■ ■ ■ ■ ■	Bag	1	CE
73988	Kit 4 TCB 4X24 stainless steel screws for sockets for industrial appliances	■ ■ ■ ■ ■	Bag	5	
73989	Fixing device for sockets for industrial/household appliances with flange 50x62mm and 90x100mm	■ ■ ■ ■ ■	Bag	5	

COMPATIBILITY TABLE

		DIMENSIONS					
		50x62	75x85	90x100	90x100	90x180	90x180
73996	74188						
100 mm	90 mm						
73990	74189						
180 mm	90 mm						
74195	74187						
	74186						
74205	74187						
	74186						

Build your own board!

KEY TO FIXING SYSTEMS: Direct screw fixing; Fixing by means of drilling.



ELECTRICAL
COMPONENTS
FACTORY

FIXED
INSTALLATION
BOARDS FOR
"KEY BLOCK"



Installation boards

key-box

Fanton presents the new series of Key Box installation boards. The new system of hinges positioned in the lower part of the boards, referred to as Free Hand, allows for extremely quick and easy socket wiring, as the operator can use both hands.

Built from technical polymer, they adapt easily to any environment, from industry to building and service provision, reducing space required to a minimum. Perfect for the installation of interlocked Key Block sockets and both domestic and industrial reduced flange sockets. Available in variants with blind lid or transparent hatch, individually or as doubles.



TECHNICAL CHARACTERISTICS

STAINLESS STEEL
Quick-fasten stainless steel screws.

HATCH
Available with blind lid or transparent hatch.

SPIRIT LEVEL
Flush-mounting to speed up and simplify installation.

VERSATILE HOUSING
For Key Block interlocked sockets and both domestic and industrial reduced flange sockets.

PROTECTION CLASS
Available with protection class IP65.

EASY ASSEMBLY
Thanks to the design allowing for easy screwdriver use

DIN MODULES
Up to 5 DIN modules in the individual version and 11 in the double version.

PUSH-THROUGH ENTRIES
Up to 4 push-through M25 and M32 entries in the individual version and 5 in the double version.

CONNECTABLE MODULES
Boards can be perfectly connected by means of inserts.

IK 08
Built in technical polymer with high shock resistance.

HINGE SYSTEM
Holds the inter-lock fast during wiring, making it quicker and easier.

IP65

NEW HINGE SYSTEM



The Free Hand System is the new hinge system that makes socket assembly quick and easy. Simply fix the two lower ends of the socket with 1-2 turns of the screws and the socket will automatically turn forwards, allowing the operator to have both hands free and quickly and simply wire the cables. Subsequently, simply complete fixing of the upper and lower screws to lock the socket into place.



1
Fix the inter-locked socket at the two lower ends with 1-2 turns of the screws.

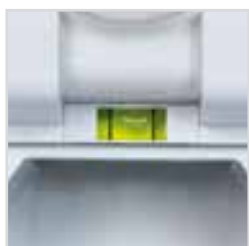


2
The socket will turn forwards, remaining fixed to the board.



3
The operator, with free hands, can wire the cables quickly and easily.

SPIRIT LEVEL



The flush-mounting spirit level at the front of the board allows the operator to position the control unit 'in the bubble' without having to use any other measurement tools.

VERSATILE AND MODULAR



Specific inserts (supplied) can be click-fitted behind the product, allowing for the perfect combination of boards, thereby extending the work surface homogeneously as required.

INSTALLATION BOARDS FOR KEY BLOCK SERIES INTERLOCKED SOCKETS 16A AND 32A



74170



74171



74175



74176

▼ GENERAL SPECIFICATIONS

- 5 DIN modules measuring 335x105x110 (HxWxD) - individual version;
- 11 DIN modules measuring 335x210x110 (HxWxD) - double version;
- Built from technical polymer;
- Protection class IP65;
- 4 push-through M25 and M32 entries in the individual version;
- 5 push-through M25 and M32 entries in the double version;
- Supplied with screws to fix the inter-locked parts in STAINLESS steel, quick fasten.

■ IP65 installation board for Key Block with blind cover

Code	Description	Colour	Packaging	No. pieces	
74170	Installation board IP65 with 1 hole for interlocked sockets dim. 335x105x110 (HxWxD) with blind cover	■ ■ ■ ■ ■	Box	4	CE
74171	Installation board IP65 with 2 holes for interlocked sockets dim. 335x210x110 (HxWxD) with blind cover		Box	2	CE

■ IP65 installation board for Key Block with transparent door

Code	Description	Colour	Packaging	No. pieces	
74175	Installation board IP65 with 1 hole for interlocked sockets dim. 335x105x110 (HxWxD) with transparent door	■ ■ ■ ■ ■	Box	4	CE
74176	Installation board IP65 with 2 holes for interlocked sockets dim. 335x210x110 (HxWxD) with transparent door		Box	2	CE

2010
2011

FIXED INSTALLATION BOARDS FOR "KEY BLOCK"



ELECTRICAL
COMPONENTS
FACTORY

POLIFEMO DISTRIBUTION BOARDS

- "Polifemo Midi" series
- "Polifemo Maxi" series



Sites



Entertainment



Theme park

Distribution boards

polifemo

midi&maxi

Polifemo: all the flexibility of energy.

The Polifemo distribution boards offer extremely high performance.

The care in design, the attention to the form and selection of materials, make this a top of the range product.

Useful on site, in concerts and everywhere where electricity is required, they have been designed to meet high safety standards and last well over time. Available in Maxi and Midi models, on request they can be supplied in customised configurations.



TECHNICAL CHARACTERISTICS



TRANSPORT HANDLES

Convenient handles/grooves for transport.



ELECTRICAL BOARD

Up to 25 modules for the Maxi and 17 for the Midi with closing hatch.

HINGES

Reinforced in thick stainless steel with a high number of joints.



KEY LOCKING

Possibility of key locking with plug in.

BASE OPEN

Possibility of inserting cables with the hatch closed, thanks to the open base.

PROTECTION CLASS

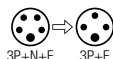
Available with protection class IP55. Self-extinguishing material.

IP55



CONFIGURATION ADAPTOR

Available as accessories (16 and 32A) for greater versatility - page 49.



EMERGENCY BUTTON

For rapid power supply disconnection.



POWER IN

Possibility of power supply with fixed plug or terminal blocks.

INTERLOCKED SOCKETS

Key Block inter-locked sockets with removable key to block the connection. Possibility of inserting up to 8 sockets in the Maxi and 6 in the Midi.



REAR NET

Making the product extremely robust



WALL-MOUNTING

Possibility of wall-mounting using the brackets supplied.

FLOOR SUPPORT

Built from chrome-plated steel with screwless assembly.



Final distribution boards to be wired and customised.

- Built in accordance with standards IEC EN 60439-1 and IEC EN 60439-4. They meet the criteria of these standards and are defined as type ASC (equipment built as standard for sites).
- Thermoplastic support structure, high resistance to shock and ageing, colour light grey (RAL 7035) stabilised to UV rays.
- External dimensions: Maxi 743x770x430mm, Midi 574x750x430mm (BxHxD).
- With protection level IP55 and self-extinguishing (glow-wire test 650°C), the product is suitably safe for use as established by construction site regulations.
- Can be wall-mounted by means of the brackets supplied, or floor-mounted by means of the chrome-plated steel support (accessory).
- For transport, the structure is fitted with

handles. It can be locked with the key, even with the plug in (the open base allows cables to come out).

- Boards can be powered by a fixed plug (suitable for frequent moves) or terminal blocks (suitable for withstanding high amps).
- Boards are available with emergency button on the outside for the interruption of the power supply in the event of danger.
- Inside the (lockable) semi-transparent hatches, up to 25 modules can be positioned in the Maxi model and 17 in the Midi.
- Possibility of positioning up to 8 inter-locked sockets for the Maxi and 6 for the Midi.
- All the factory-wired boards are supplied with a Declaration of Conformity and Wiring Diagram included in a specific documents-holder file. They also bear plates defining the characteristics of each product.

- Each product is supplied with a complete kit containing cable clamp, terminal blocks (25 mm²), screws, labels, etc.

Warnings:

- Interventions such as assembly and maintenance must be carried out by qualified personnel
- Only use ASC boards with minimum protection class IP44 with plug/s inserted on sites.
- For entry wiring, use the following sections: 100A 35mm² - 80A 25 mm² - 63A 16 mm² - 32A 10 mm².
- Max. power collectable with simultaneous coefficient 0.5 - 0.7.
- See technical guide at the end of the catalogue.

POLIFEMO MIDI

**Protection with MCB
(miniature circuit breaker)**

**EMERGENCY BUTTON
ALWAYS INCLUDED**



• WITH PLUG



• WITH TERMINAL BLOCK

The final distribution panel **POLIFEMO MIDI**, produced by Fanton SpA with the FME brand, targets the professional sector and is fundamental in all situations where an electricity line is required to connect various different utilities with significant energy use, such as on sites, open-air shows, theme parks, etc.

No. OF OUTLETS	OUTPUT UNIT							
	Interlocked sockets							
	16A 2P+E	16A 3P+E 3P+N+E		32A 3P+E 3P+N+E		63A 3P+E 3P+N+E		
4	EASY LINE	4						
		3	1					
		2	2					
		3	1					
		2	2					
		1	3					
		2	1		■ 1 ^F			
		2	1			■ 1 ^F		
		2	1					■ 1 ^F
		1	2		1 ^F			
1	2			1				
5	EASY LINE	5						
		4	1					
		3	2					
		2	3					
		3	1		■ 1 ^F			
		3	1			■ 1 ^F		
		2	2		■ 1 ^F			
		2	2			■ 1 ^F		
		2	1	1		■ 1 ^F		
		2	1		■ 1 ^F		■ 1 ^F	
2	1		■ 1 ^F		1			
2	1			■ 1 ^F		1		
1	3		■ 1 ^F					
6	EASY LINE	6						
		6						
		5	1					
		4	2					
		3	3					
		3	2	1				
		3	2			1		
		3	1	1		1		
		3	2		1			
		3	1	1	1			
		2	4					
		2	2		1	1		
		2	2		2			
2	1	1		2				
2	1	1	1	1				



OUTPUT UNIT					INPUT UNIT								
Protections on output (MCB6kA C)					Power supply					Terminal Block	FIXED PLUG	With fixed plug	DIAGRAM
16A			32A		General switch	General MCB 6kA C	General RCD 30mA AC	Power KW	No. Supply poles	ARTICLE CODE		ARTICLE CODE	
1P+N	3P	4P	3P	4P									
					Magnet./diff. 4P 16A			9	3P+N+E	74701	32A	74751	
1	1				40A		40A	12	3P+N+E	74702	32A	74752	
1	1				40A		40A	12	3P+N+E	74703	32A	74753	
					Magnet./diff. 4P 16A			9	3P+N+E	74735	32A	74785	
					Magnet./diff. 4P 16A			9	3P+N+E	74736	32A	74786	
1	1				40A		40A	12	3P+N+E	74721	32A	74771	
1	1				63A		63A	30	3P+N+E	74704	63A	74754	
1	1				63A		63A	30	3P+N+E	74705	63A	74755	
1	1						32A	40A	18	3P+N+E			
			1				100A	100A	55	3P+N+E			
1	1				63A		63A	30	3P+N+E	74723	63A	74773	
1	1				63A		63A	30	3P+N+E	74724	63A	74774	
					Magnet./diff. 4P 16A			9	3P+N+E	74725	32A	74775	
1	1				40A		40A	12	3P+N+E	74726	32A	74776	
1	1				40A		40A	12	3P+N+E	74727	32A	74777	
1	1				40A		40A	12	3P+N+E	74728	32A	74778	
1	1				63A		63A	30	3P+N+E	74708	63A	74758	
1	1				63A		63A	30	3P+N+E	74709	63A	74759	
1	1				63A		63A	30	3P+N+E	74706	63A	74756	
1	1				63A		63A	30	3P+N+E	74707	63A	74757	
1		1			63A		63A	30	3P+N+E	74858			
1	1						100A	100A	55	3P+N+E			
1	1						63A	63A	35	3P+N+E			
1	1						63A	63A	35	3P+N+E			
1	1				63A		63A	30	3P+N+E	74730	63A	74780	
2							32A	40A	6	2P+E			
					Magnet./diff. 4P 16A			9	3P+N+E	74731	32A	74781	
1	1				40A		40A	12	3P+N+E	74732	32A	74782	
1	1				40A		40A	12	3P+N+E	74733	32A	74783	
1	1				40A		40A	12	3P+N+E	74710	32A	74760	
1		1			40A		40A	12	3P+N+E	74862			
1	1						32A	40A	18	3P+N+E		74762	
			2				32A	40A	18	3P+N+E			
1	1						32A	40A	18	3P+N+E	32A	74761	
			2				32A	40A	18	3P+N+E			
1	1				40A		40A	12	3P+N+E	74734	32A	74784	
1	1						32A	40A	18	3P+N+E	32A	74764	
1	1						32A	40A	18	3P+N+E	32A	74763	
			1	1	63A		63A	30	3P+N+E	74865			
			1	1	63A		63A	30	3P+N+E	74715	63A	74765	

Articles ready for delivery
 Fuse protected

POLIFEMO MIDI

Protected by fuses (included)

EMERGENCY BUTTON ALWAYS INCLUDED



• WITH PLUG



• WITH TERMINAL BLOCK

POLIFEMO MIDI complies with standards IEC EN 60439-1 and IEC EN 60439-4. It is defined as type ASC with protection class IP55 and is self-extinguishing (glow wire test 650°C).

Up to 17 modules can be positioned inside the semi-transparent (locking) hatches.

Up to 6 interlocked sockets can be positioned

Polifemo Midi external dimensions: 574x770x430 (BxHxDmm)

No. SOCKETS	OUTPUT UNIT						
	Interlocked sockets						
	16A 2P+E	16A 3P+E 3P+N+E		32A 3P+E 3P+N+E		63A 3P+E 3P+N+E	
4	4						
	3	1					
	2	2					
	1	3					
	2	1		1			
	2	1			1		
	2			1		1	
	1	2		1			
	1	2			1		
5	5						
	4	1					
	3	2					
	2	3					
	3	1		1			
	3	1			1		
	2	2		1			
	2	2			1		
	2	1	1		1		
	2	1		1		1	
	2	1		1		1	
	2	1			1		1
	1	3		1			
6	6						
	6						
	5	1					
	4	2					
	3	3					
	3	2	1				
	3	2			1		
	3	1	1		1		
	3	2		1			
	3	1	1	1			
	2	4					
	2	2		1	1		
	2	2		2			
	2	1	1		2		
	2	1	1	1	1		



INPUT UNIT								
Power supply					Terminal block	FIXED PLUG	With fixed plug	DIAGRAM
General switch	General MCB 6kA C	General RCD 30mA AC	Power KW	No. Supply poles	ARTICLE CODE		ARTICLE CODE	
40A		40A	12	3P+N+E	74671	32A	74791	
	32A	40A	18	3P+N+E	74672	32A	74747	
	32A	40A	18	3P+N+E	74673	32A	74787	
	32A	40A	18	3P+N+E	74674	32A	74788	
63A		63A	30	3P+N+E	74675	63A	74789	
63A		63A	30	3P+N+E	74676	63A	74790	
	100A	100A	55	3P+N+E	74677			
	63A	63A	35	3P+N+E	74678	63A	74792	
	63A	63A	35	3P+N+E	74679	63A	74793	
40A		40A	15	3P+N+E	74680	32A	74794	
	32A	40A	18	3P+N+E	74681	32A	74795	
	32A	40A	18	3P+N+E	74682	32A	74796	
	32A	40A	18	3P+N+E	74683	32A	74797	
	63A	63A	35	3P+N+E	74684	63A	74798	
	63A	63A	35	3P+N+E	74685	63A	74799	
	63A	63A	35	3P+N+E	74686	63A	74749	
	63A	63A	35	3P+N+E	74687	63A	74748	
	63A	63A	35	3P+N+E	74866			
	100A	100A	55	3P+N+E	74688			
	63A	63A	35	3P+N+E	74867			
	63A	63A	35	3P+N+E	74868			
	63A	63A	35	3P+N+E	74689	63A	74746	
	32A	40A	6	2P+E	74808			
	32A	40A	18	3P+N+E	74690	32A	74745	
	32A	40A	18	3P+N+E	74691	32A	74744	
	32A	40A	18	3P+N+E	74692	32A	74743	
	32A	40A	18	3P+N+E	74693	32A	74742	
	32A	40A	18	3P+N+E	74869			
	32A	40A	18	3P+N+E	74694	32A	74741	
	32A	40A	18	3P+N+E	74870			
	32A	40A	18	3P+N+E	74695	32A	74740	
	32A	40A	18	3P+N+E	74871			
	32A	40A	18	3P+N+E	74696	32A	74739	
	32A	40A	18	3P+N+E	74697	32A	74738	
	32A	40A	18	3P+N+E	74698	32A	74737	
	63A	63A	35	3P+N+E	74872			
	63A	63A	35	3P+N+E	74699	63A	74750	

2010
2011

POLIFEMO DISTRIBUTION BOARDS

Articles available on stock

POLIFEMO MAXI

**Protection with MCB
(miniature circuit breaker)**

**EMERGENCY BUTTON
ALWAYS INCLUDED**



• WITH PLUG



• WITH TERMINAL BLOCK

No. SOCKETS	OUTPUT UNITS							
	Inter-locked sockets							
	16A 2P+E	16A 3P+E 3P+N+E		32A 3P+E 3P+N+E		63A 3P+E 3P+N+E		
6	2	2		1		■ 1 ^F		
	7							
	5	2						
	4	3						
	4	2						
	4	2		1				
	4	2			1			
	3	3		1				
	7	3	3			1		
		3	2		1		■ 1 ^F	
		3	2			1	■ 1 ^F	
		2	3		1	1		
		2	3		2			
2		3			2			
2		2		2		■ 1 ^F		
2		2			2	■ 1 ^F		
3		2			1		■ 1 ^F	
8		8						
	6	2						
	5	3						
	4	4						
	4	2	2					
	4	2		2				
	4	2			2			
	3	3		2				
	3	3			2			
	2	3		2	1			
	2	3		1	2			
	2	3		3				
	2	3			3			
	2	2	1	2	1			

2010
2011

POLIFEMO DISTRIBUTION BOARDS



OUTPUT UNIT						INPUT UNIT						
Output protections (MCB 6kA C)					Power supply				Terminal block	With fixed plug		DIAGRAM
16A			32A		General switch	General MCB 6kA C	General RCD 30mA AC	Power KW	ARTICLE CODE	5-POLE PLUG AMPS	ARTICLE CODE	
1P+N	3P	4P	3P	4P								
1	1		1			100A	100A	55	74906			
		2				32A	2x25A 4P	18	74908	32A	74958	
1	1					32A	1x25A 2P - 1x25A 3P	12	74909	32A	74959	
1	1					32A	1x25A 2P - 1x25A 3P	12	74910	32A	74960	
1	1	1				32A	1x25A 2P - 1x25A 4P	18	74911	32A	74961	
1	1		1			63A	1x40A 4P - 1x40A 3P	30	74912	63A	74962	
1	1			1		63A	2x40A 4P	30	74913	63A	74963	
1	1		1			63A	1x40A 2P - 1x40A 3P	30	74914	63A	74964	
1	1			1		63A	2x40A 4P	30	74915	63A	74965	
1	1		1			100A	2x63A 4P	55	74916			
1	1			1		100A	2x63A 4P	55	74917			
1	1			1		63A	2x40A 4P	30	74918	63A	74968	
1	1		1			63A	1x40A 4P - 1x40A 3P	30	74919	63A	74969	
1	1			1		63A	2x40A 4P	30	74920	63A	74970	
1	1		1			100A	1x63A 4P - 1x63A 3P	55	74921			
1	1			1		100A	2x63A 4P	55	74922			
1	1			1		100A	2x63A 4P	55	74938			
		2				32A	2x22A 4P	18	74923	32A	74973	
1	1					32A	1x25A 2P - 1x25A 3P	12	74924	32A	74974	
1	1					32A	1x25A 2P - 1x25A 3P	12	74925	32A	74975	
1	1					32A	1x25A 2P - 1x25A 3P	12	74926	32A	74976	
1	1	1				63A	1x25A 2P - 1x40A 4P	21	74927	63A	74977	
1	1		1			63A	1x40A 2P - 1x40A 3P	30	74928	63A	74978	
1	1			1		63A	2x40A 4P	30	74929	63A	74979	
1	1		1			63A	1x40A 4P - 1x40A 3P	30	74930	63A	74980	
1	1			1		63A	2x40A 4P	30	74931	63A	74981	
1	1		1	1		63A	1x63A 4P - 1x64A 4P	35	74934	63A	74984	
1	1		1	1		63A	1x63A 4P - 1x64A 4P	35	74935	63A	74985	
		1 MCB + RCD 4P	2			63A	63A	35	74936	63A	74986	
		1 MCB + RCD 4P		2		63A	63A	35	74937	63A	74987	
		1	1	1		63A	1x63A 4P - 1x25A 4P	35	74841	63A	74849	

Articles available on stock

(†) Fuse protected

EMPTY BOARDS AND ACCESSORIES

Empty boards IP55

GENERAL SPECIFICATIONS

Final distribution boards to be assembled and wired.

- Thermoplastic support structure, high resistance to shock and ageing, colour light grey (RAL 7035) stabilised to UV rays;
- External dimensions (BxHxD): – Maxi 743x770x430 mm;
– Midi 574x750x430;
- With protection level IP55 and self-extinguishing (glow-wire test 650°C), the product is suitably safe for use as established by construction site regulations;
- Can be wall-mounted by means of the brackets supplied, or floor-mounted by means of the galvanised steel support (accessory);
- For transport, the structure is fitted with handles. It can be locked with the key, even with the plug in (the open base allows cables to come out);
- Boards can be powered by a fixed plug (suitable for frequent moves) or terminal blocks (suitable for withstanding high amps).

WARNING

- Empty boards supplied dismantled for customer assembly;
- Boards supplied with: – Keys for closing control units and external hatch;
– M8 earth pin with brass equipotential bar;
– 25 mm² terminal block;
– DIN EN50022 bar h. 4.5 cm;
– Cable gland PG 36;
– 17 or 25 module control units complete with lock;
– Module covering lid;
– Fixing brackets;
– Set up for assembly of the emergency button 74991.

TECHNICAL SPECIFICATIONS

MIDI version

- 17 DIN modules in the switch compartment;
- Maximum 6 places for sockets;
- N° of places occupied by each socket:
– 1 for 16 and 32A (with or without fuses);
– 2 for 63A (with or without fuses).

MAXI version

- 25 DIN modules in the switch compartment;
- Maximum 8 places for sockets;
- N° of places occupied by each socket:
– 1 for 16 and 32A (with or without fuses);
– 2 for 63A (with or without fuses).



74700



74500



74994

Code	Description	Packaging	No. pieces	
74700	Empty Polifemo Midi Board IP55 size 574x770x430mm	Box	1	CE
74500	Empty Polifemo Maxi Board IP55 size 770x743x430mm	Box	1	CE

Supports

Code	Description	Packaging	No. pieces
74994	Universal support for POLIFEMO MIDI and MAXI boards of chromium-plated steel	Box	1

■ Configuration adaptors

Code	Description	Colour	Packaging	No. pieces	
73134	Adaptor for industrial purposes from plug 3P+N+E 16A to socket 3P+E 16A	■ ■ ■ ■ ■	In bulk	5	€
73135	Adaptor for industrial purposes from plug 3P+N+E 32A to socket 3P+E 32A	■ ■ ■ ■ ■	In bulk	5	€

■ Spare parts

Code	Description	Packaging	No. pieces	
74991	Kit for emergency button (including NA contact, connecting cables, detachable label)	Bag	1	€
73992	KEY BLOCK aluminium key	Bag 10 pcs.	10	€
73994	KEY BLOCK fuse door	Bag	1	€

■ Spare interlocked sockets – without fuses

Code	Description	Poles	Volt	Amp.	h	IP	Colour	Packaging	No. pcs.	
73306	Interlocked wall mounting socket	2P+E	110V	16A	4	44	■ ■ ■ ■ ■	In bulk	1	€
73340	Interlocked wall mounting socket	2P+E	230V	16A	6	67	■ ■ ■ ■ ■	Box	1	€
73344	Interlocked wall mounting socket	3P+E	400V	16A	6	67	■ ■ ■ ■ ■	Box	1	€
73345	Interlocked wall mounting socket	3P+N+E	400V	16A	6	67	■ ■ ■ ■ ■	Box	1	€
73346	Interlocked wall mounting socket	2P+E	110V	16A	9	67	■ ■ ■ ■ ■	In bulk	1	€
73326	Interlocked wall mounting socket	2P+E	110V	32A	4	44	■ ■ ■ ■ ■	In bulk	1	€
73366	Interlocked wall mounting socket	2P+E	110V	32A	9	67	■ ■ ■ ■ ■	In bulk	1	€
73360	Interlocked wall mounting socket	2P+E	230V	32A	6	67	■ ■ ■ ■ ■	Box	1	€
73364	Interlocked wall mounting socket	3P+E	400V	32A	6	67	■ ■ ■ ■ ■	Box	1	€
73365	Interlocked wall mounting socket	3P+N+E	400V	32A	6	67	■ ■ ■ ■ ■	Box	1	€
73444	Interlocked wall mounting socket with DIN opening for 6 modules	3P+E	400V	63A	6	55	■ ■ ■ ■ ■	Box	1	€
73445	Interlocked wall mounting socket with DIN opening for 6 modules	3P+N+E	400V	63A	6	55	■ ■ ■ ■ ■	Box	1	€

■ Spare interlocked sockets – with fuses

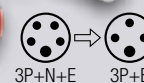
Code	Description	Poles	Volt	Amp.	h	IP	Colour	Packaging	No. pcs.	
73350	Interlocked wall mounting socket	2P+E	230V	16A	6	67	■ ■ ■ ■ ■	Box	1	€
73354	Interlocked wall mounting socket	3P+E	400V	16A	6	67	■ ■ ■ ■ ■	Box	1	€
73355	Interlocked wall mounting socket	3P+N+E	400V	16A	6	67	■ ■ ■ ■ ■	Box	1	€
73370	Interlocked wall mounting socket	2P+E	230V	32A	6	67	■ ■ ■ ■ ■	Box	1	€
73374	Interlocked wall mounting socket	3P+E	400V	32A	6	67	■ ■ ■ ■ ■	Box	1	€
73375	Interlocked wall mounting socket	3P+N+E	400V	32A	6	67	■ ■ ■ ■ ■	Box	1	€
73544	Interlocked wall mounting socket	3P+E	400V	63A	6	67	■ ■ ■ ■ ■	Box	1	€
73545	Interlocked wall mounting socket	3P+N+E	400V	63A	6	67	■ ■ ■ ■ ■	Box	1	€

■ Spare wall mounting plug 3P+N+E - IP67

Code	Description	Poles	Volt	Amp.	h	IP	Colour	Packaging	No. pcs.	
70328	Interlocked wall mounting plug	3P+N+E	400V	32A	6	67	■ ■ ■ ■ ■	Box	1/10	€
70385	Interlocked wall mounting plug	3P+N+E	400V	63A	6	67	■ ■ ■ ■ ■	Box	1	€



73135



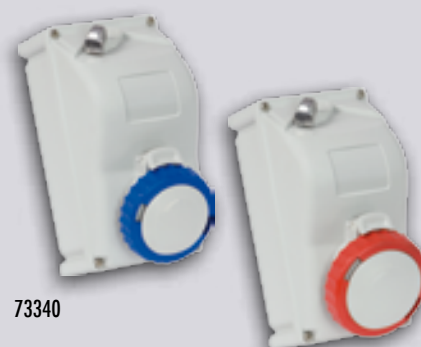
74991



74992



73994



73340

73344



73350

73354



70328



70385

YOUR IDEAL POLIFEMO DISTRIBUTION BOARD

N.B.: Please send a copy by fax to +39 049 95.97.976

Date.....

Client.....

Person we may contact.....

Phone.....

POLIFEMO: **MIDI** **MAXI**

SOCKETS WITHOUT FUSE:	220V				380V			
	16A	32A	16A	32A	63A			
	2P+E	2P+E	3P+E	3P+N+E	3P+E	3P+N+E	3P+E	3P+N+E
(No. and type)								

SOCKETS PROTECTION WITHOUT FUSE:

- Miniature circuit breaker (6KA breaking capacity)

(Quantity)

SOCKET EQUIPPED WITH FUSE:	220V				380V			
	16A	32A	16A	32A	63A			
	2P+E	2P+E	3P+E	3P+N+E	3P+E	3P+N+E	3P+E	3P+N+E
(No. and type)								

SUPPLY: Terminal strip Fixed plug

EMERGENCY PUSHBUTTON: Yes No

MAXIMUM POWER TO BE USED: KW (Max 55KW)

GENERAL PROTECTION:

- Isolator switch/Switch disconnecter:
 - 2P 40A - 415V 4P 40A - 415V 4P 63A - 415V 4P 100A - 415V
 - Other.....
- Miniature circuit breaker:
 - 4P 32A - 6kA C 4P 63A - 6kA C 4P 100A - 10kA C
 - Other.....
- Residual current device*:
 - 2P 40A - 30mA AC 4P 40A - 30mA AC 4P 63A - 30mA AC
 - 4P 100A - 30mA AC
 - Other.....

(* Available in "A class", suitable for devices with inverter.



Modules available for automatic switches:	• 25 for Polifemo Maxi • 17 for Polifemo Midi
Maximum no. of places for sockets:	• 8 for Polifemo Maxi • 6 for Polifemo Midi
No. places occupied by each socket WITHOUT fuse:	• 1 for 16 and 32A • 2 for 63A
No. places occupied by each socket WITH fuse:	• 1 for 16 and 32A • 2 for 63A
Maximum power collectable:	• 55kW

WHITE GALVANISED STEEL FLOOR REST: Yes No

QUANTITY:

NOTES:.....

This page can be also downloaded directly from our website.

2010
2011
CUSTOMISED DISTRIBUTION BOARD OFFER FORM



ELECTRICAL
COMPONENTS
FACTORY

ULISSE DISTRIBUTION BOARDS

• "Ulisse" series



Final distribution boards

ulisse

The distribution boards from the Ulisse series are particularly recommended for the start-up of professional equipment in industrial contexts such as agriculture, sites (both construction and shipyards) and service providers (industries, laboratories, workshops, ice cream parlours, gymnasiums, solariums, etc.).

The design, the care for detail and the choice of materials earn these products high performance.

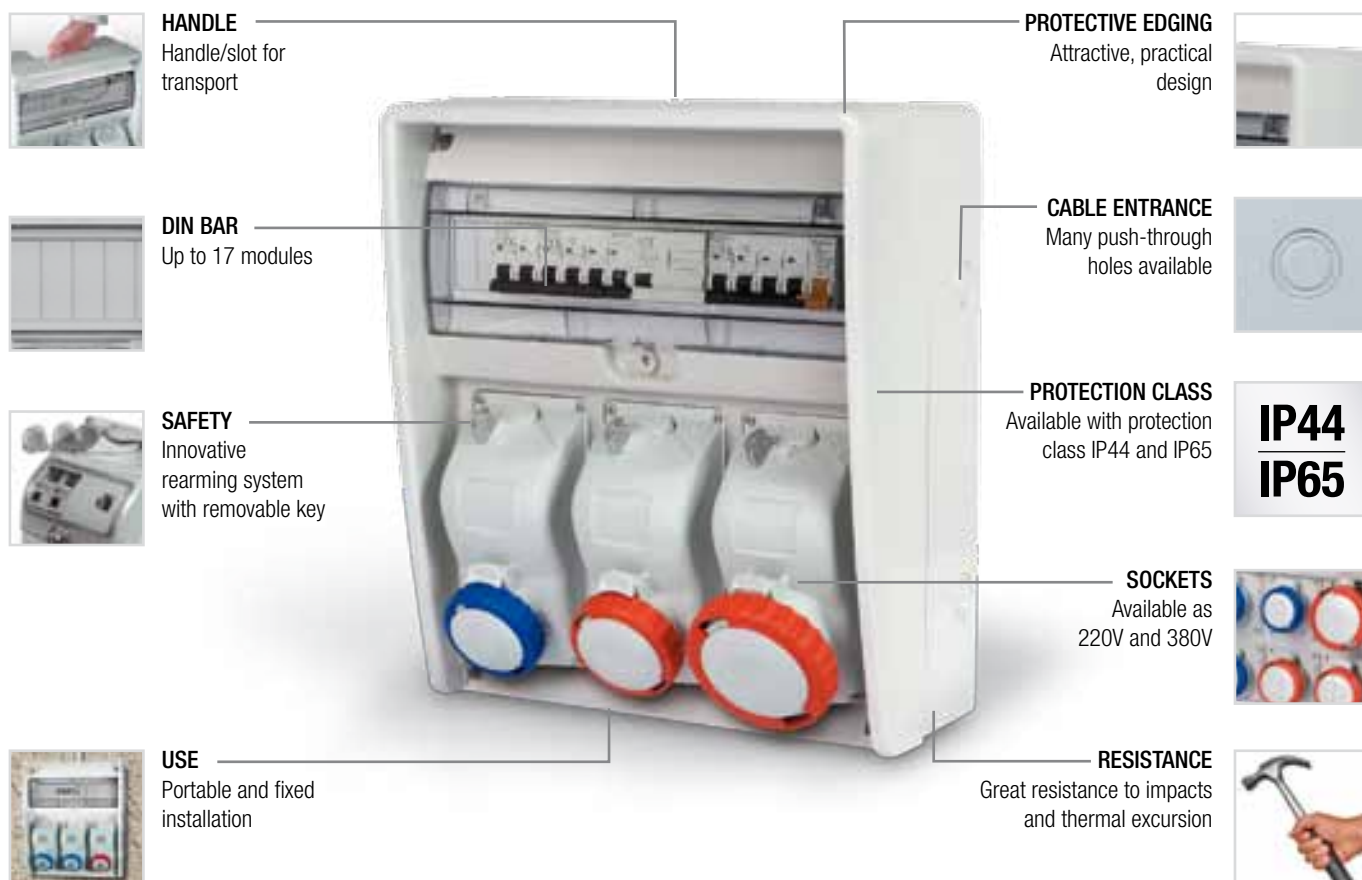
The thick walls guarantee maximum protection against impacts.

The boxes are fitted with push-through holes for cable entry and specific sealing holes.

They are built from thermoplastic, giving them excellent characteristics of non-deformability, resistance to thermal excursions, self-extinguishing and stability to ultraviolet rays.



TECHNICAL CHARACTERISTICS



- We propose a range of distribution boards for normal, industrial, service provider, site and agricultural environments to meet the main demands for electrical distribution. Empty product configurations equipped with DIN bar (EN50022) are available, where interlocked or flush-mounting sockets can be assembled (industrial or domestic).
- The ASC versions (equipment built as standard for site use) comply with standards IEC EN 60439-1 and IEC EN 603439-4 and are complete with protection systems and power lead (4m type H07RN-F).
- The AS versions are designed for wall mounting.
- Compatible board dimensions define complete

modularity. Furthermore, a groove has been created that serves as a transport handle, without affecting the front look.

- The sockets are protected from accidental impact by an external edging, whilst the thick walls of the boards are a guarantee against breakage due to impact.
- The boxes are fitted with push-through holes for cable entry and specific sealing holes.
- The light grey (colour RAL 7035) thermoplastic material boards have excellent qualities of non-deformability, resistance to thermal excursion, self-extinguishing and are stable to UV rays.
- Available with protection class IP44 and IP65.
- In the modular equipment compartments, up

to 17 modules (board dim. 350), 8 modules (board dim. 250) or 6 modules (board dim. 150) can be inserted.

- Classified as dual insulation, the boards are fitted with screw-covers for fastening to the wall.
- The ASC boards are supplied with the relevant declaration of conformity and wiring diagram in the package.
- Boards with dim. 250 and 350 are suitable for fixing on the cable-winder trolley, in compliance with the type of plug and socket.
- Support for boards measuring 250 and 350 also available.

IT IS EASY TO CUSTOMISE ULISSE

In just a few minutes, you can create the board that best meets your needs!



Use a hollow cutter to make the holes, using the centring reliefs



Position the sockets in the seats you have just created and insert the screws 73987 (for domestic sockets, page 18) or 73988 (for industrial sockets, page 32)



Fix the sockets using a specific accessory 73989 (page 32)

ULISSE VERSION BOARDS

■ **Ulisse "Plus ASC" version with power from 9KW to 18KW, emergency button and metal stand included**

No. SOCKETS	INDUSTRIAL SOCKETS IEC 309					SOCKETS			
	16A		32A			16A		32A	
	2P+E	3P+E	3P+N+E	3P+E	3P+N+E	2P+E	3P+E	3P+E	3P+N+E
3						3			
						2	1		
						1	1	1	
						1	1		1
6	3	2							
	3	2		1					
	3	1	1		1				

ALL ULISSE PLUS VERSIONS ARE ASC TYPE WITH PROTECTION CLASS IP65 AND SUPPLIED WITH 4 METRES OF CABLE H07RN-F WITH INDUSTRIAL PLUG OF 16 OR 32A.

■ **Ulisse with power from 3KW to 9KW**

No. SOCKETS	SOCKETS AVAILABLE - 16A			SOCKETS - 16A		PHOTOGRAPH	TRAILING VERSION			
							PROTECTION		Plug type	ARTICLE CODE
	2P+E	3P+E	2P+E	2P+E	3P+E		MCB	Differential switch		
3	3						2P 16A 6KA C	2P 25A 30ma AC	2P+E 16A 220V	74300
		3					Magn/diff. 4P 16A 63KA AC	3P+E 16A 380V	74301	
4	4						2P 16A 6KA C	2P 25A 30ma AC	2P+E 16A 220V	74310
	2	2					4P 16A 6KA C	4P 25A 30ma AC	3P+N+E 16A 380V	74312
	4						2P 16A 6KA C	2P 25A 30ma AC	2P+E 16A 220V	74320
	2	2					4P 16A 6KA C	4P 25A 30ma AC	3P+N+E 16A 380V	74321
		4					4P 16A 6KA C	4P 25A 30ma AC	3P+N+E 16A 380V	74322
6	3	1					4P 16A 6KA C	4P 25A 30ma AC	3P+N+E 16A 380V	74323
	6						2P 16A 6KA C	2P 25A 30ma AC	2P+E 16A 220V	74370
	4	2					4P 16A 6KA C	4P 25A 30ma AC	3P+N+E 16A 380V	74371
2					2		2P 16A 6KA C	2P 25A 30ma AC	2P+E 16A 220V	74330
				1	1		4P 16A 6KA C	4P 25A 30ma AC	3P+N+E 16A 380V	74331
3							2P 16A 6KA C	2P 25A 30ma AC	2P+E 16A 220V	74380
				3			4P 16A 6KA C	4P 25A 30ma AC	3P+N+E 16A 380V	74381
				2	1		4P 16A 6KA C	4P 25A 30ma AC	3P+N+E 16A 380V	74382

ALL VERSIONS ARE SUPPLIED WITH 4 METRES CABLE H07RN-F AND PLUG EEC IEC 309 IP67 OR IP44 DEPENDING ON THE VERSION.



“Ulisse” accessories



Codice	Description
74993	Metal stand for “Ulisse” boards

PLUS ASC VERSION

PHOTOGRAPH	16A OUTPUT PROTECTION			GENERAL PROTECTION			Power supply		ARTICLE CODE	PROTECTION CLASS
	1+N	3P	4P	General switch	Thermal magnetic switch	Differential switch	Plug type	Power (Kw)		
	1	1		40A	16A	25A	5P 16A	9	74383	IP 65
		1			32A	40A	5P 32A	12	74384	IP 65
		1			32A	40A	5P 32A	18	74385	IP 65
		1			32A	40A	5P 32A	18	74386	IP 65
	1	1			32A	40A	5P 32A	18	74396	IP 65
	1	1			32A	40A	5P 32A	18	74397	IP 65
	1		1		32A	40A	Mors.	18	74398*	IP 65

* CODE 74398 IS SUPPLIED WITHOUT METAL STAND AND WITHOUT CABLE. WITH TERMINAL BLOCK POWER SUPPLY.

ASC TRANSPORTABLE VERSION (WITH METAL STAND)

VERSION FOR INSTALLATION (WIRED UP TO DIN BAR – WITHOUT CABLE, PLUG, SWITCH, PROTECTIONS, AS TYPE)

PHOTOGRAPH	PROTEZIONE		Plug type	ARTICLE CODE	PHOTOGRAPH	ARTICLE CODE	PROTECTION CLASS	SIZE (LxHxP mm)	
	MCB	Differential switch							
						74200	IP 65	150x450x137	
						74201	IP 65		
	2P 16A 6KA C	2P 25A 30ma AC	2P+E 16A 220V	74390		74210	IP 44	250x403x177	
						74211	IP 44		
	4P 16A 6KA C	4P 25A 30ma AC	3P+N+E 16A 380V	74391		74212	IP 44		
						74220	IP 65		
	2P 16A 6KA C	2P 25A 30ma AC	2P+E 16A 220V	74392		74221	IP 65	350x403x177	
	4P 16A 6KA C	4P 25A 30ma AC	3P+N+E 16A 380V	74393		74222	IP 65		
						74223	IP 65		
						74270	IP 65		
						74271	IP 65	350x403x177	
						74230	IP 65	250x403x177	
						74231	IP 65		
	2P 16A 6KA C	2P 25A 30ma AC	2P+E 16A 220V	74394		74280	IP 65	350x403x177	
	4P 16A 6KA C	4P 25A 30ma AC	3P+N+E 16A 380V	74395		74281	IP 65		
						74282	IP 65		

2010
2011

ULISSE DISTRIBUTION BOARDS

ULISSE MODULAR BOARDS

ARTICLE PHOTOGRAPH								
ARTICLE CODE		74180	74181	74182				
CHARACTERISTICS		<ul style="list-style-type: none"> Size: 150x403x177 mm 6 DIN modules Pack. 1 pc Box IP65 CE 	<ul style="list-style-type: none"> Size: 250x403x177 mm 8 DIN modules Pack. 1 pc Box IP65 CE 	<ul style="list-style-type: none"> Size: 350x403x177 mm 17 DIN modules Pack. 1 pc Box IP65 CE 				
ACCESSORY FIXING (not included)		<p>Fixing code 73989 + screw kit 73987-73988</p>	<p>Fixing code 73989 + screw kit 73987-73988</p>	<p>Fixing code 73989 + screw kit 73987-73988</p>				
INSTALLABLE ACCESSORIES	Domestic sockets IP44 Italian/German standard 10/16A and Italian std. 10/16A (see page 18)							
	Industrial ARGO sockets IP44 and IP67, 16A 2P+E up to 3P+N+E 32A (only flange dim. 90x100 mm) (see page 15)							
	Industrial ARGO sockets IP67, 16A 2P+E up to 3P+N+E 16A (only flange dim. 75x85 mm) (see page 16)							
	Interlocked KEY BLOCK sockets with and without fuses 16° 2P+E up to 3P+N+E 32A (only flange dim. 180x90 mm) (see page 28-29-30-31)							
	Flange (see page 32)							
EXAMPLE COMBINATIONS		<p>Max. capacity: 1x32A 5P 1x16A 5P</p>	<p>Max. capacity: 1x16A 5P 2x domestic type sockets IP44</p>	<p>Max. capacity: 2x32A 5P 2x16A 5P</p>	<p>Max. capacity: 2x32A 5P 3x domestic type sockets IP44</p>	<p>Max. capacity: 2x32A 5P 3x16A 5P 1x16A 3P</p>	<p>Max. capacity: 2x32A 5P 1x16A 5P 1x16A 3P 2x domestic type sockets IP44</p>	<p>Max. capacity: 2x32A 5P 1x16A 3P 4x domestic type sockets IP44</p>

2010
2011

ULISSE DISTRIBUTION BOARDS

ABSOLUTE FLEXIBILITY TO BUILD YOUR OWN BOARD!

74183			74184			74195		74205	
<ul style="list-style-type: none"> • Size: 250x403x177 mm • 8 DIN modules • Pack. 1 pc Box • IP65 • CE 			<ul style="list-style-type: none"> • Size: 350x403x177 mm • 17 DIN modules • Pack. 1 pc Box • IP65 • CE 			<ul style="list-style-type: none"> • Size: 250x403x177 mm • Pre-drilled 4 sockets 75x85 mm • Pack. 1 pc Box • IP65 • CE 		<ul style="list-style-type: none"> • Size: 350x403x177 mm • Pre-drilled 6 sockets 75x85 mm • Pack. 1 pc Box • IP65 • CE 	
<p>(already supplied)</p>			<p>(already supplied)</p>			<ul style="list-style-type: none"> • 2 pcs. 74187 • 4 Kits 73988 <p>(already supplied)</p>		<ul style="list-style-type: none"> • 3 pcs. 74187 • 6 Kits 73988 <p>(already supplied)</p>	
<p>180x90 mm</p>			<p>180x90 mm</p>			<p>75x85 mm</p>		<p>75x85 mm</p>	
<p>Max. capacity: 2x32A 5P</p>	<p>Max. capacity: 2x32A 5P</p>	<p>Max. capacity: 2x32A 5P</p>	<p>Max. capacity: 3x32A 5P</p>	<p>Max. capacity: 3x32A 5P</p>	<p>Max. capacity: 3x32A 5P</p>	<p>Max. capacity: 4x16A 5P</p>	<p>Max. capacity: 4 domestic sockets IP44</p>	<p>Max. capacity: 6x16A 5P</p>	<p>Max. capacity: 6 domestic sockets IP44</p>



ELECTRICAL
COMPONENTS
FACTORY

EOLO DISTRIBUTION BOARDS

• "Eolo" series



Suspended distribution board

eolo

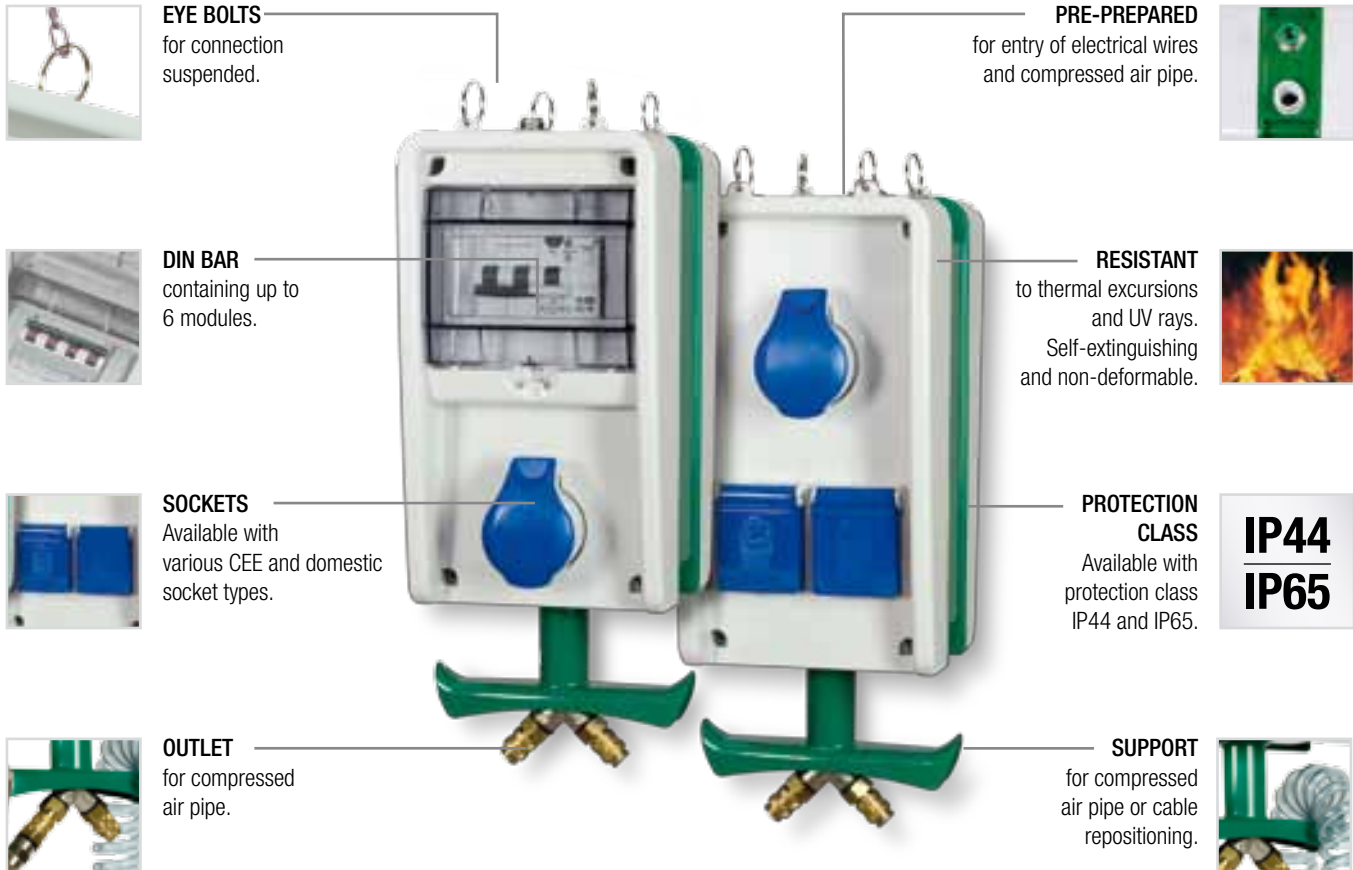
With the EOLO distribution board, electrical energy and compressed air arrive directly above the workstation.

EOLO is the perfect solution even where an electrical board cannot be installed near the walls.

The careful design, the choice of materials, the compact dimensions and the search for innovative solutions, such as the pre-prepared connection for compressed air, make this product a fundamental tool for many working environments, such as workshops, laboratories, industries, etc.



TECHNICAL CHARACTERISTICS



- Complies with standard IEC EN 60439-1, defined as an AS type distribution board.
- Built from light grey (colour RAL 7035) and green (colour RAL 6032) thermoplastic, the boards have excellent qualities of non-deformability, resistance to thermal excursion, self-extinguishing and are stable to UV rays.
- Supplied with a support to be applied to

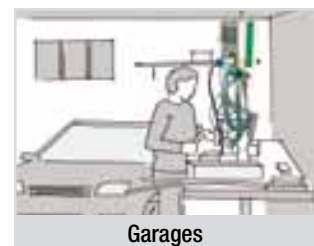
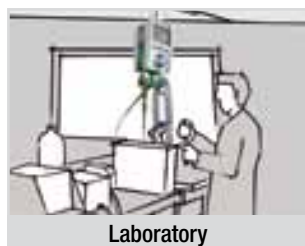
- the lower part for housing the cable or a compressed air pipe.
- Possibility of two entries, by means of push-through holes: for the electrical supply line and for the compressed air line.
- Wide range with various socket types.
- Available with protection class IP44 and IP65, version with protections already inserted or

- wired and equipped with DIN bar.
- Up to 6 modules can be inserted into the compartment for modular equipment.
- Also available as a blind version without sockets.
- Supplied with cable gland PG 16.
- Dimensions 343x156x186 mm.
- 6 DIN modules.

So many solutions, including custom versions.



THE PERFECT SOLUTION FOR A GREAT MANY WORKING ENVIRONMENTS



EOLO BOARDS RANGE SCHEDULE

	FRONT SIDE		BACK SIDE		PROTECTION LEVEL	CODE
	2P+E 16A	3P+E 16A	2P+E 16A	10/16A <small>Italian and German stand.</small>		

Eolo with RCBO 6kA 30mA AC protections

FRONT	BACK			PROTECTION LEVEL	CODE		
		2P+E 16A	3P+E 16A				
		1		2	IP44	74103	
			1	2	IP44	74104	
		1		1	2	IP44	74115
			1	1	2	IP44	74116
		1		2	IP65	74101	
			1	2	IP65	74102	

Eolo without protections (wired to DIN bar)

FRONT	BACK			PROTECTION LEVEL	CODE		
		2P+E 16A	3P+E 16A				
		1		2	IP44	74123	
			1	2	IP44	74124	
		1		1	2	IP44	74135
			1	1	2	IP44	74136
		1		2	IP65	74121	
			1	2	IP65	74122	

With RCBO 6kA 30mA AC protections and compressed air kit series (express pipe fitting size in 1/4 with 2 outputs)

					PROTECTION LEVEL	CODE
	2P+E 16A	3P+E 16A	2P+E 16A	10/16A		
	1		2		IP44	74130
		1	2		IP44	74131
	1		1	2	IP44	74142
		1	1	2	IP44	74143

Eolo without sockets and protections

	<p>Without sockets, prepared with centring reliefs for easy drilling using a hollow cutter. Fanton flush-mounting sockets are applied using the specific accessory 73989 that also allows for the application of any component. For further explanations, see page 53</p>	74100
--	---	--------------

Eolo compressed air kit

	<p>Compressed air kit with express pipe fitting size in 1/4 and sheath for double insulation:</p> <ul style="list-style-type: none"> • 74130 • 74131 • 74132 • 74133 	74129
--	--	--------------



ELECTRICAL
COMPONENTS
FACTORY

MODULAR SWITCH SERIES

- Miniature circuit breakers
- Residual current devices
- On-load switches
- Ignition coils



Modular switches

The new series of modular devices allows for the safe powering of any electrical utility – whether domestic or industrial. It meets the demands for control, protection and command of electrical systems. The user's safety and continuity of service are guaranteed. The design of Fanton modular switches adapt perfectly to industrial and domestic environments, and they can also be integrated with flash-mounting and wall-mounting control units.

CIRCUIT BREAKERS SERIES

▼ GENERAL FEATURES

- Electrical circuit protection switches and commands for domestic, service provider and electro-mechanical industrial settings
- Assembly system with click-fit to EN 50022 guide
- Electro-mechanical type differential switches with function test button

■ Miniature circuit breakers

Built according to IEC 60898, interruption power $I_{cn}=10$ kA, characteristic of intervention C, rated voltage 230/400V AC

Code	Poles	Modules	Current in A	Packaging	Packing	CE	Trademark
73840	1	1	16	12	Box	CE	Ⓢ ⚠
73841	1+N	2	16	6	Box	CE	-
73811	2	2	16	6	Box	CE	Ⓢ ⚠
73821	3	3	16	4	Box	CE	Ⓢ ⚠
73831	4	4	16	3	Box	CE	Ⓢ
73813	2	2	32	6	Box	CE	Ⓢ ⚠
73823	3	3	32	4	Box	CE	Ⓢ ⚠
73833	4	4	32	3	Box	CE	Ⓢ
73825	3	3	63	4	Box	CE	Ⓢ
73835	4	4	63	3	Box	CE	Ⓢ
73829	3	4,5	100	4	Box	CE	-
73859	4	6	100	3	Box	CE	-

■ Residual current devices

Built according to IEC 61008-1, sensitivity 30mA, characteristic type AC and A(*), rated voltage 230/400V AC

Code	Poles	Modules	Current in A	Characteristic	Packaging	Packing	CE	Trademark
73862	2	2	25	AC	1	Box	CE	Ⓢ
73882	4	4	25	AC	1	Box	CE	Ⓢ
73864	2	2	40	AC	1	Box	CE	Ⓢ
73884	4	4	40	AC	1	Box	CE	Ⓢ
73885	4	4	63	AC	1	Box	CE	Ⓢ
73887	4	4	63	A	1	Box	CE	Ⓢ
73886	4	4	100	AC	1	Box	CE	Ⓢ

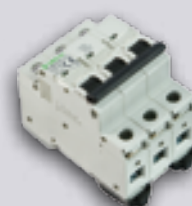
73841



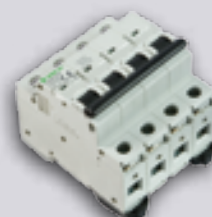
73811



73821



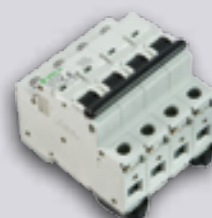
73831



73823



73833



73859



73862

2010
2011

MODULAR SWITCH SERIES



73882



73884



73887



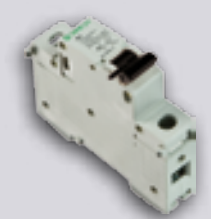
73886



73904



73905



73910



73911

■ On-load switches

Built according to IEC 60947-3, interruption power $I_{cn}=6$ kA, rated voltage 230/400V AC

Code	Poles	Modules	Current in A	Packaging	Packing	CE	Trademark
73907	4	4	100	3	Box	CE	—
73904	4	4	40	3	Box	CE	—
73905	4	4	63	3	Box	CE	—
73900	2	2	40	6	Box	CE	—

■ Ignition coils

Built according to IEC 60947-2, rated voltage 230/400V AC

Code	Moduli	Confezione	Imballo	CE	
73911	1	10		CE	For magn. switch in 100A (code 73829 and 73859)
73910	1	10		CE	For magn. switch in <63A
73912	1	15		CE	For differential switches

2010
2011

MODULAR SWITCH SERIES



ELECTRICAL
COMPONENTS
FACTORY

INDUSTRIAL CEE ADAPTORS

- Industrial CEE adaptors
- Industrial CEE double adaptors
- Industrial CEE triple adaptors
- Industrial CEE adaptors with cable
- Configuration adaptors

CEE INDUSTRIAL ADAPTORS

▼ GENERAL SPECIFICATIONS

- Manufactured in accordance with international standards;
- Suitable for camping, gardening, connecting equipment and electrical tools in general, when the available socket is not compatible with the user plug or when multiple outlets are needed.

▼ WARNING

- Use only for temporary and trailing installations; for fixed and permanent installations a suitable electrical installation must be provided;
- When not in use, make sure to disconnect the socket;
- Avoid connections with multiple adaptors;
- Adaptors with IP44 domestic sockets, are rated IP20 when the plug is inserted.



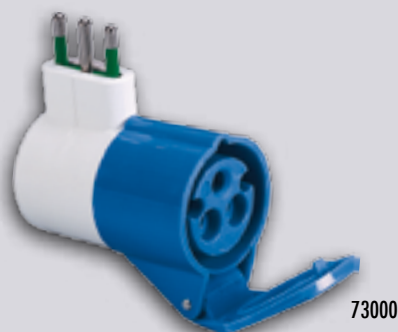
73001



73102



73109



73000



73108



Code	Description	Colour	Packaging	No. pieces	
73001	Adaptor for industrial purposes from plug 2P+E 16A French/German stnd. to socket 2P+E 16A CEE blue colour	■ ■ ■ ■	Box 12 pcs.	48	CE



Code	Description	Colour	Packaging	No. pieces	
73102	Adaptor for industrial purposes IP44 from plug 2P+E 250V 16A CEE blue colour to socket 2P+E 250V 16A Italian/German stnd.	■ ■ ■ ■	Box 12 pcs.	48	CE



Code	Description	Colour	Packaging	No. pieces	
73109	Adaptor for industrial purposes IP44 from plug 2P+E 250V 16A CEE blue colour to socket 2P+E 250V 16A French standard	■ ■ ■ ■	Box 12 pcs.	48	CE



Code	Description	Colour	Packaging	No. pieces	
73000	Adaptor for industrial purposes from plug 2P+E 16A to socket 2P+E 16A CEE blue colour	■ ■ ■ ■	Box 12 pcs.	48	CE



Code	Description	Colour	Packaging	No. pieces	
73108	Adaptor for industrial purposes IP44 from plug 2P+E 250V 16A CEE blue colour to socket 2P+E 250V 16A Italian and German stnd.	■ ■ ■ ■	Box 12 pcs.	48	CE

2010
2011

INDUSTRIAL CEE ADAPTORS

Code	Description	Colour	Packaging	No. pieces	
73101	Adaptor for industrial purposes IP44 from plug 2P+E 250V 16A CEE blue colour to 2 sockets 2P+E 250V 16A Italian and German std.		Box 12 pcs.	48	

Code	Description	Colour	Packaging	No. pieces	
73090	Adaptor for industrial purposes from plug 2P+E 250V 16A CEE blue colour to 2 sockets 2P+E 250V 16A Italian and German std. + 1 socket 2P+E 250V 16A Italian and German std.		Box 12 pcs.	48	

Code	Description	Colour	Packaging	No. pieces	
73100	Adaptor for industrial purposes from plug 2P+E 16A CEE blue colour to socket 2P+E 16A Italian and German std.		Box 12 pcs.	48	

Code	Description	Colour	Packaging	No. pieces	
92955	CARAVAN adaptor socket 2P+E 250V 16A CEE blue colour plug 2P+E 250V 16A French/German std.		Bag and hanger	50	

Code	Description	Colour	Packaging	No. pieces	
92956	CARAVAN adaptor plug 2P+E 250V 16A CEE blue colour socket 2P+E 250V 16A German std.		Bag and hanger	25	

Code	Description	Colour	Packaging	No. pieces	
92954	CARAVAN adaptor plug 2P+E 250V CEE blue colour socket 2P+E 250V 16A French std.		Bag and hanger	50	

Code	Description	Colour	Packaging	No. pieces	
73002	CARAVAN adaptor socket 2P+E 250V 16A CEE blue colour plug 2P+E 250V 16A German std.		In bulk	6	



73101



73090



73100



92955



92956



92954



73002

NEW

2010
2011
INDUSTRIAL CEE ADAPTORS

DOUBLE AND TRIPLE INDUSTRIAL CEE ADAPTORS



73110



73111



73112

▼ GENERAL SPECIFICATIONS

- Built with reference to standards EN 50250 – 60309-1-2;
- Particularly recommended for sites, campsites, gardening, connection of tools and electrical tools in general;
- H07RN-F (Neoprene) cable 3 m Section 3G2.5 mm².

▼ WARNING

- Use is only permitted for temporary trailing installations. For fixed and permanent installations, provide for an appropriate electrical system.
- Never leave the plugs plugged in if not in use;
- More than one adaptor cannot be connected;
- When adaptors with domestic sockets IP44 have the plug inserted, they become IP20.



Code	Description	Colour	Packaging	No. pieces	
73110	Adaptor for industrial purposes IP44 from plug 2P+E 220V 16A CEE blue colour to 2 sockets 2P+E 220V 16A CEE blue colour		In bulk	6	CE



Code	Description	Colour	Packaging	No. pieces	
73111	Adaptor for industrial purposes IP44 from plug 3P+E 308V 16A CEE red colour to 2 sockets 3P+E 380V 16A CEE red colour		In bulk	6	CE



Code	Description	Colour	Packaging	No. pieces	
73112	Adaptor for industrial purposes from plug 3P+N+E 380V 16A CEE red colour to sockets: 1 x 3P+E 380V 16A CEE red colour + 1 x 2P+E 220V 16A CEE blue colour	 	In bulk	6	CE

2010
2011

INDUSTRIAL CEE ADAPTORS



Code	Description	Colour	Packaging	No. pieces.	
73105	Adaptor for industrial purposes IP44 from plug 2P+E 250V 16A CEE blue colour to 2 sockets 2P+E 250V 16A CEE		In bulk	6	CE



73105



Code	Description	Colour	Packaging	No. pieces.	
73116	Adaptor for industrial purposes IP44 from plug 2P+E 250V 16A CEE blue colour to 1 socket 2P+E 250V 16A CEE blue colour + 1 socket 2P+E 250V 16A Italian/German std.		In bulk	6	CE



73116



Code	Description	Colour	Packaging	No. pieces.	
73114	Adaptor for industrial purposes IP44 from plug 2P+E 250V 16A CEE blue colour to 2 sockets 2P+E 250V 16A Italian/German std.		6 pcs.	24	CE



73114



Code	Description	Colour	Packaging	No. pieces.	
73115	Adaptor for industrial purposes IP44 from plug 2P+E 250V 16A CEE blue colour to 2 sockets 2P+E 250V 16A French standard		6 pcs.	24	CE



73115



Code	Description	Colour	Packaging	No. pieces.	
73117	Adaptor for industrial purposes IP44 from plug 2P+E 250V 16A CEE blue colour to 1 socket 2P+E 250V 16A CEE + 1 socket 2P+E 250V 16A French standard		In bulk	6	CE



73117

2010
2011

INDUSTRIAL CEE ADAPTORS



73104



73107



73120



73121



73128



73129



Code	Description	Colour	Packaging	No. pieces.	
73104	Adaptor for industrial purposes IP44 from plug 2P+E 250V 16A CEE blue colour to 2 sockets 2P+E 250V 16A Italian and German std.	■■■■	6 pcs.	24	CE



Code	Description	Colour	Packaging	No. pieces.	
73107	Adaptor for industrial purposes IP44 from plug 2P+E 250V 16A CEE blue colour to 1 socket 2P+E 250V 16A CEE + 1 socket 2P+E 250V 16A Italian and German std.	■■■■	In bulk	6	CE



Code	Description	Colour	Packaging	No. pieces.	
73120	Multi-way adaptor for industrial purposes with 3 sockets 2P+E 16A CEE blue colour IP67	■■■■	In bulk	6	CE

73121	Multi-way adaptor for industrial purposes with 3 sockets 2P+E 250V 16A CEE blue colour IP67 and 3m cable H07RN-F 3x2.50mm ²	■■■■	In bulk	6	CE
-------	--	------	---------	---	----



Code	Description	Colour	Packaging	No. pieces.	
73128	Multi-way adaptor for industrial purposes with 2 sockets 2P+E 250V 16A CEE blue colour IP44 + 1 socket 2P+E 250V 16A Italian/German std.	■■■■	In bulk	6	CE

73129	Multi-way adaptor for industrial purposes with 2 sockets 2P+E 250V 16A CEE blue colour + 1 socket 2P+E 250V 16A Italian/German std. and 3m cable H07RN-F 3x2.50mm ²	■■■■	In bulk	6	CE
-------	--	------	---------	---	----



Code	Description	Colour	Packaging	No. pieces.	
73126	Multi-way adaptor for industrial purposes from plug 2P+E 220V 16A CEE blue colour to 2 sockets 2P+E 220V 16A CEE IP44 + 1 socket 2P+E 250V 16A French standard	■ ■ ■ ■	In bulk	6	CE



73126

73127	Multi-way adaptor for industrial purposes with 2 sockets 2P+E 220V 16A CEE blue colour IP44 + 1 socket 2P+E 250V 16A French standard and 3m cable H07RN-F 3x2.50mm ²	■ ■ ■ ■	In bulk	6	CE
--------------	---	---------	---------	---	----



73127



Code	Description	Colour	Packaging	No. pieces.	
73130	Multi-way adaptor for industrial purposes with 3 sockets 2P+E 110V 16A CEE yellow colour IP44	■ ■ ■ ■	In bulk	6	CE



73130

73131	Multi-way adaptor for industrial purposes with 3 sockets 2P+E 16A CEE IP67 and 3m cable H07RN-F 3x2,50	■ ■ ■ ■	-	6	CE
--------------	--	---------	---	---	----



Code	Description	Colour	Packaging	No. pieces.	
73122	Multi-way adaptor for industrial purposes with 2 sockets 2P+E 220V 16A CEE blue colour IP44 + 1 socket 2P+E 205V 16A Italian and German std.	■ ■ ■ ■	-	6	CE



73122

73123	Multi-way adaptor for industrial purposes with 2 sockets 2P+E 220V 16A CEE blue colour IP44 + 1 socket 2P+E 205V 16A Italian and German std. with 3m cable H07RN-F 3x2.50mm ²	■ ■ ■ ■	In bulk	6	CE
--------------	--	---------	---------	---	----

2010
2011

INDUSTRIAL CEE ADAPTORS



73121



73132



73141



73136



73123



73135

Code	Description	Colour	Packaging	No. pieces	CE
73132	Multi-way adaptor for industrial purposes with 3 sockets 2P+E 16A CEE blue colour IP67 and 20m cable H07RN-F 3x2,50	■■■■	In bulk	2	CE
73133	Multi-way adaptor for industrial purposes with 3 sockets 2P+E 16A CEE blue colour IP67 and 30m cable H07RN-F 3x2,50	■■■■	In bulk	2	CE
73141	Multi-way adaptor for industrial purposes with 3 sockets 3P+E 16A CEE red colour IP67 with 3m cable H07RN-F 4x2,50	■■■■	In bulk	6	CE



Code	Description	Colour	Packaging	No. pieces	CE
73136	Multi-way adaptor for industrial purposes with 3 sockets 2P+E 220V 16A CEE blue colour IP67 with 3m cable H07RN-F 5x2.50mm ² with plug 3P+N+E 380V	■■■■	In bulk	6	CE



N.B.: Three single-core outputs come out from this adaptor with max. collectable power of 3 KW each. A 5-pole power supply is required.

Code	Description	Colour	Packaging	No. pieces	CE
73123	Multi-way adaptor for industrial purposes with 2 sockets 2P+E 220V 16A CEE blue colour IP44 + 1 socket 2P+E 205V 16A Italian and German std. with 3m cable H07RN-F 3x2.50mm ²	■■■■	In bulk	6	CE



CONFIGURATION ADAPTORS

Code	Description	Colour	Packaging	No. pieces	CE
73134	Adaptor for industrial purposes from plug 3P+N+E 16A to socket 3P+E 16A	■■■■	In bulk	5	CE
73135	Adaptor for industrial purposes from plug 3P+N+E 32A to socket 3P+E 32A	■■■■	In bulk	5	CE





ELECTRICAL
COMPONENTS
FACTORY

INDUSTRIAL CABLE REELS

- "Puma CEE" industrial cable reel
- "Golia CEE" industrial cable reels
- "Golia Metal CEE" industrial cable reels
- Industrial patch cords
- "Golia Empty" multipurpose reels
- Spare parts for cable reels



01349

"PUMA CEE" INDUSTRIAL CABLE REEL

■ Thermoplastic cable drum - 3 sockets
Socket disc Ø 145 mm



Code	Length.	Cable mm ²	Cable Drum Ø	Sockets	Colour	Packag.	No. pieces.
01349	10 m	3x2.50	245 mm	2P+E 220V 16A CEE - IP44		Box	3

"GOLIA CEE" INDUSTRIAL CABLE REELS

▼ GENERAL SPECIFICATIONS

- Manufactured in accordance with IEC EN 61316.
- Suitable for indoor and outdoor use, even in especially tough environmental conditions including worksites and/or demolition sites.
- Manufactured in thermoplastic materials made to pass shock and thermal excursion tests.
- Certified <HAR> flexible cable in H07RN-F type wear-proof rubber (Neoprene).
- Indelible technical features printed on the item's label.
- Thermal cut-off available on all items to automatically cut off the current from the socket unit, in the event of overheating with the cable both rolled or unrolled; manual reconnection by pressing the red button once the temperature is back to normal levels.
- Items equipped with Ø 420 mm cable drum, trailer-mounted with wheels.
- Trailer-mounted cable reels are suitable for fixing 250 and 350 mm distribution boards, depending on the type of plug/socket.

▼ WARNING

- Do not exceed the maximum overload power stated on the right.
- Consult the technical guide in the final section of the catalogue.

Conductor sec. mm ²	Max. overload power	
	roller cable	unroller cable
3 x 2.50	1800 W	3400 W
4 x 2.50	5000 W	11000 W



11128



11164

■ IP44 - Metal stand - Thermoplastic cable drum
3 sockets - Socket disc Ø 145 mm



Code	Length.	Cable mm ²	Cable Drum Ø	Sockets	Colour	Packag.	No. pieces.
11127	20 m	3x2.50	320 mm	2P+E 16A 220V - IP44		Box	3
11128	30 m	3x2.50	320 mm	2P+E 16A 220V - IP44		Box	3

■ IP44 - Metal stand - Thermoplastic cable drum
2 sockets - Socket disc Ø 145 mm



Code	Length.	Cable mm ²	Cable Drum Ø	Sockets	Colour	Packag.	No. pieces.
11162	20 m	4x2.50	320 mm	2P+E 16A 380V - IP44		Box	3
11164	30 m	4x2.50	320 mm	3P+E 16A 380V - IP44		Box	3

Trailer-mounted metal stand - Thermoplastic cable drum 3 sockets - Socket disc Ø 205 mm



Code	Length.	Cable mm ²	Cable Drum Ø	Sockets	Colour	Packag.	No. pieces.	
12128	50 m	3x2.50	420 mm	2P+E 220V 16A - IP44		Box	1	CE
12160	50 m	3x2.50	420 mm	2P+E 220V 16A - IP67		Box	1	CE

- TRAILER-MOUNTED CABLE REELS ARE SUITABLE FOR FIXING 250 AND 350 MM DISTRIBUTION BOARDS, DEPENDING ON THE TYPE OF PLUG/SOCKET.



Trailer-mounted metal stand - Thermoplastic cable drum 3 sockets - Socket disc Ø 205 mm



Code	Length.	Cable mm ²	Cable Drum Ø	Sockets	Colour	Packag.	No. pieces.	
12138	50 m	4x2.50	420 mm	3P+E 380V 16A - IP44		Box	1	CE
12170	50 m	4x2.50	420 mm	3P+E 380V 16A - IP67		Box	1	CE

IP44 - Trailer-mounted metal stand - Thermoplastic cable drum 3 sockets mix - Socket disc Ø 205 mm



Code	Length.	Cable mm ²	Cable Drum Ø	Sockets	Colour	Packag.	No. pieces.	
12180	50 m	3x2.50	420 mm	2x2P+E 220V 16A 1x2P+E 220V 16A German std. (*)		Box	1	CE

- TRAILER-MOUNTED CABLE REELS ARE SUITABLE FOR FIXING 250 AND 350 mm DISTRIBUTION BOARDS, DEPENDING ON THE TYPE OF PLUG/SOCKET.



IP44 - Trailer-mounted metal stand - Thermoplastic cable drum 3 sockets mix - Socket disc Ø 205 mm



Code	Length.	Cable mm ²	Cable Drum Ø	Sockets	Colour	Packag.	No. pieces.	
12190	50 m	5x2.50	420 mm	1x2P+E 220V 16A 1x3P+E 380V 16A 1x2P+E 220V 16A German std. (*)		Box	1	CE

(*) When plugged into the domestic socket, the protection level is IP20.



12160

12170

12180

12190

2010
2011

INDUSTRIAL CABLE REELS



14338



14350



14348



14360



14370



14380



14385

"GOLIA METAL CEE" INDUSTRIAL CABLE REELS

■ IP44 - Metal stand - Metal cable drum - 3 sockets
Socket disc Ø 205 mm



Code	Length.	Cable mm ²	Cable Drum Ø	Sockets	Colour	Packag.	No. pieces.
14338	30 m	3x2.50	320 mm	2P+E 220V 16A - IP44		Box	1

■ IP55 - Metal stand - Metal cable drum - 3 sockets
Socket disc Ø 205 mm



Code	Length.	Cable mm ²	Cable Drum Ø	Sockets	Colour	Packag.	No. pieces.
14350	30 m	3x2.50	320 mm	2P+E 220V 16A - IP67		Box	1

■ IP44 - Metal stand - Metal cable drum - 3 sockets
Socket disc Ø 205 mm



Code	Length.	Cable mm ²	Cable Drum Ø	Sockets	Colour	Packag.	No. pieces.
14348	30 m	4x2.50	320 mm	3P+E 380V 16A - IP44		Box	1

■ IP55 - Metal stand - Metal cable drum - 3 sockets
Socket disc Ø 205 mm



Code	Length.	Cable mm ²	Cable Drum Ø	Sockets	Colour	Packag.	No. pieces.
14360	30 m	4x2.50	320 mm	3P+E 380V 16A - IP67		Box	1

■ IP44 - Metal stand - Metal cable drum - 3 sockets mix
Socket disc Ø 205 mm



Code	Length.	Cable mm ²	Cable Drum Ø	Sockets	Colour	Packag.	No. pieces.
14370	30 m	3x2.50	320 mm	2x2P+E 220V 16A 1x2P+E 220V 16A German std. (*)	 	Box	1

■ IP44 - Metal stand - Metal cable drum - 3 sockets mix
Socket disc Ø 205 mm



Code	Length.	Cable mm ²	Cable Drum Ø	Sockets	Colour	Packag.	No. pieces.
14380	30 m	5x2.50	320 mm	1x2P+E 220V 16A 1x3P+E 380V 16A 1x2P+E 220V 16A German std. (*)	 	Box	1
14385	30 m	5x2.50	320 mm	2x3P+N+E 380V 16A 1x2P+E 220V 16A German std. (*)	 	Box	1

(*) When plugged into the domestic socket, the protection level is IP20.

2010
2011

INDUSTRIAL CABLE REELS

INDUSTRIAL PATCH CORDS

IP67 - Worksite patch cords with H07RN-F (Neoprene) cable



Code	Length.	Cable mm ²	Plug and socket	Colour	Packaging	No. pieces
92971	10 m	3x2.50	2P+E 220V 16A - IP67	■■■■■	Shrink film	1
92973	20 m (*)	3x2.50	2P+E 220V 16A - IP67	■■■■■	Shrink film	1
92974	30 m (*)	3x2.50	2P+E 220V 16A - IP67	■■■■■	Shrink film	1

(*) Also compliant with CEI 64-8 standards for connecting campers, caravans, etc. with the camping site board sockets.



Code	Length.	Cable mm ²	Plug and socket	Colour	Packaging	No. pieces
92981	10 m	4x2.50	3P+E 380V 16A - IP67	■■■■■	Shrink film	1
92983	20 m	4x2.50	3P+E 380V 16A - IP67	■■■■■	Shrink film	1
92984	30 m	4x2.50	3P+E 380V 16A - IP67	■■■■■	Shrink film	1

IP44 - Linear German patch cords with H07RN-F (Neoprene) cable



Code	Length.	Cable mm ²	Plug	Socket	Colour	Packaging	No. pieces.
92976	5 m	3x1.50	2P+E 250 16A	3x2P+E 250 16A	■■■■■	Shrink film	1
92977	10 m	3x1.50	2P+E 250 16A	3x2P+E 250 16A	■■■■■	Shrink film	1
92978	20 m	3x1.50	2P+E 250 16A	3x2P+E 250 16A	■■■■■	Shrink film	1
92986	5 m	3x2.50	2P+E 250 16A	3x2P+E 250 16A	■■■■■	Shrink film	1
92987	10 m	3x2.50	2P+E 250 16A	3x2P+E 250 16A	■■■■■	Shrink film	1
92988	20 m	3x2.50	2P+E 250 16A	3x2P+E 250 16A	■■■■■	Shrink film	1

"GOLIA" AND "ONDA" EMPTY MULTIPURPOSE REELS



GENERAL SPECIFICATIONS

- Manufactured with thermoplastic shock and thermal excursion resistant materials.
- Suitable for various domestic uses.
- Items equipped with Ø 420 mm drum, trailer-mounted with wheels.
- Central blind disc.

THIS TYPE OF REEL IS NOT CE MARKED, AS IT IS NOT INCLUDED IN THE ELECTRICAL CABLE REEL CATEGORY.

Code	Drum Ø	Disc Ø	Packaging	No. pieces
10000	260 mm	145 mm	Bag	3
11000	320 mm	145 mm	Bag	3
14300	320 mm metal	205 mm	Bag	3
14638	260 mm	/	Box	1
14639	320 mm	/	Box	1
12003	420 mm trailer mounted	205 mm	Box	1



92971



92981



92976



11000



14300



14639



12003



SPARE PARTS FOR CABLE REELS

■ Wired 3-sockets spare discs for cable reels \varnothing 205 mm



Code	Outputs	Type Sockets	Colour	Packaging	No. pcs.
01914	3	2P+E 220V 16A CEE - IP44 Slot for thermal cut-off		Bag	1
01918	3	3P+E 380V 16A CEE - IP44 Slot for thermal cut-off		Bag	1
01912	3	2P+E 220V 16A CEE - IP67 Slot for thermal cut-off		Bag	1
01916	3	3P+E 380V 16A CEE - IP67 Slot for thermal cut-off		Bag	1



Code	Outputs	Type Sockets	Colour	Packaging	No. pcs.
01913	3	2x2P+E 220V 16A CEE 1x2P+E 220V 16A German std. - IP44 Slot for thermal cut-off		Bag	1
01917	3	1x2P+E 220V 16A CEE 1x3P+E 380V 16A CEE 1x2P+E 220V 16A German std. - IP44 Slot for thermal cut-off	 	Bag	1

■ Socket discs - \varnothing 145 mm + flange adaptor for discs \varnothing 205 mm



Code	Outputs	Type Sockets	Colour	Packaging	No. pcs.
01911	3	2P+E 220V 16A CEE Slot for thermal cut-off		Bag	1
01915	2	3P+E 380V 16A CEE Slot for thermal cut-off		Bag	1



Code	Outputs	Type Sockets	Colour	Packaging	No. pcs.
01903	4	2P+E 250V 16A German std.		Bag	1
01904	4	2P+E 250V 16A German std. Slot for thermal cut-off		Bag	1



Code	Outputs	Type Sockets	Colour	Packaging	No. pcs.
01919	4	2P+E 250V 16A French std.		Bag	1
01920	4	2P+E 250V 16A French std. Slot for thermal cut-off		Bag	1



Code	Outputs	Type Sockets	Colour	Packaging	No. pcs.
01901	5	4x2P+E 250V 10/16A Italian and German std. 1x2P+E 250V 16A German std.		Bag	1
01902	5	4x2P+E 250V 10/16A Italian and German std. 1x2P+E 250V 16A German std. Slot for thermal cut-off		Bag	1

■ Thermal cut-outs

Code	Description	Colour	Packaging	No. pcs.
01921	Thermal cut-off for socket disc CEE 220V		-	1
01922	Thermal cut-off for socket disc CEE 380V		-	1



ELECTRICAL
COMPONENTS
FACTORY

INDUSTRIAL LIGHTING SYSTEMS

- Supply boards for warning light fixtures
- Red fixtures for warnings

SUPPLY BOARDS FOR WARNING LIGHT FIXTURES



74292

▼ GENERAL SPECIFICATIONS

- In compliance with IEC EN 60439-1 and IEC EN 60439-4 standards. Compliance to these standards means these boards are ASC certified (mass manufactured worksite equipment);
- The sockets are shielded from accidental blows by an outer protective edge while high thickness of boards' sides ensures that they will not break due to blows;
- The boards are made of grey (RAL7035) thermoplastic material providing excellent features of non-deformability, resistance to thermal excursions, self-extinguishing properties and stability to UV rays;
- Classified as double insulated, the boards are equipped with screw covers for wall mounting.

▼ WARNINGS

- Operations including assembly and maintenance must be performed by qualified personnel;
- Check regularly the state of power cable;
- Consult technical guide at the end of the catalogue.

■ Board size 150x450x137 mm with cable - With twilight switch and transformer 220/24V 150VA protected by fuse 1A

Code	PLUG	SOCKETS	IP	Cat.	Packaging	No. pieces	
74292	2P+E 220V 16A	2 - 2P 16A 24V	44	ASC	Box	1	CE



62723



62760



62761



62762



62769

RED FIXTURES FOR WARNING



▼ GENERAL SPECIFICATIONS

- In compliance with CEI 34-21 and 34-23;
- Thermoplastic grey RAL 7035 bases;
- Transparent red diffuser;
- Equipped with E27 25W 24V~ bulbs;
- Flexible certified <HAR> cable in use resistant rubber H07RN-F sec. 2x1.5 mm²;
- Equipped with re-usable bands to fix on poles;
- Manufactured with double insulation.

▼ WARNINGS

- Operations including assembly and maintenance must be performed by qualified personnel;
- Regularly check the conditions of the power cable;
- These products must be used at very low voltages (24V - See art. 74.292).

Code	Description	Packaging	No. pieces.	
62760	1 oval fixture 215x125x110 mm - IP44 10 m cable and plug 2P 24V~ 16A	Box	1	CE RoHS
62761	2 oval fixtures 215x125x110 mm - IP44 10+6 m cable and plug 2P 24V~ 16A	Box	1	CE RoHS
62762	3 oval fixtures 215x125x110 mm - IP44 10+6+6+1 m cable, plug and socket 2P 24V~ 16A	Box	1	CE RoHS
62723	Oval fixture - IP65 - 60W - E27 base 215x125x110 mm - grey equipped with reusable mounting bands	Shrink film	10	CE RoHS
62769	Bulb 24V-E27 25W	Box	1	CE RoHS

2010
2011

INDUSTRIAL LIGHTING SYSTEMS



ELECTRICAL
COMPONENTS
FACTORY

TOWER TECH SERIES

- Columns and towers
- Multi-sockets
- Multi-socket Rack



TOWERTECH

POWER AND DATA DISTRIBUTION TOWERS

The TOWER TECH series of towers provides a combined solution to two fundamental needs by distributing both power and data through a single product. With TOWER TECH, both sockets can be brought close to the user device, thus reducing loose cable to a minimum. Their innovative design makes Tower Tech units an exclusive, attractive item in the furnishing of offices, shops, company premises, public authority buildings and the home.



Data networks certifiable up to class 6A

The product has been optimised to provide housing for the power supply and data cables in separate raceways. This separation prevents the creation of electromagnetic interference. With this new development, data networks created with Tower Tech can be certified up to class 6A.



TECHNICAL CHARACTERISTICS

4 STANDARD SIZES
Vertical 45, 65 or 100 cm in height or horizontal (desktop) 45 cm wide.

CONNECTION FITTING
To secure a tubular duct for the power supply or for stacking additional towers (up to 3 pieces) if required. (Accessory)

QUICK ASSEMBLY
Pre-cabled sockets and mating assembly system minimise the use of tools.

ALUMINIUM
Aluminium frame, module kit in high isolation, tough, long life thermoplastic.

RJ45 SOCKET UP TO CAT. 6A
RJ45 (8 pin) telecommunications sockets with cat. 5e screening in cabled version, category 6 and 6A in installation version.

PLATE
In steel for use where greater stability is required. (Accessory)

CABLE REEL
Fitted on the side of the tower to house any excess cable. (Accessory)

STANDARDS
Supplied with Italian/German standard sockets, also available with British and French sockets, and RJ45 telecommunications sockets.




CAVITY FLOORS
Ideal for cavity floors, since connections can be routed beneath the floor.

ALSO PRE-CABLED!
The entire series is also available pre-cabled and ready for use.

TWO CABLE OUTLET OPTIONS
Cable outlet on bottom of base or on rear of tower..

OPTIONAL ACCESSORIES

On request Tower Tech can be expanded with:

 <p>CONNECTION FITTING Code 40791 Technical polymer quick fitting with hole Ø 20.5 mm for securing a rigid tubular duct for the power supply or for stacking additional towers (up to 3) by installing a connection fitting (e.g. rigid duct d. 20 mm) inside.</p>	 <p>CABLE REEL Code 40790 Fitted on the sides of the tower to house any excess cable leading from the users. It is in rubber-coated impact-resistant technical polymer. Capacity up to 1.5/2 m of cable depending on type.</p>	 <p>PLATE Code 40792 Steel plate for use where greater stability is required.</p>
---	--	---

CUSTOMISATION

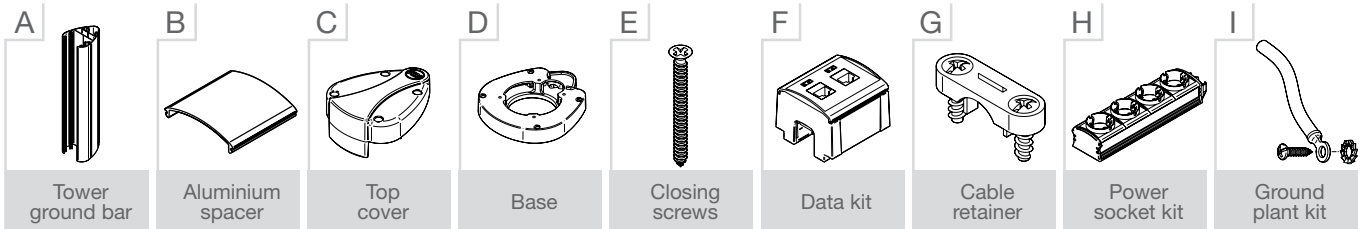
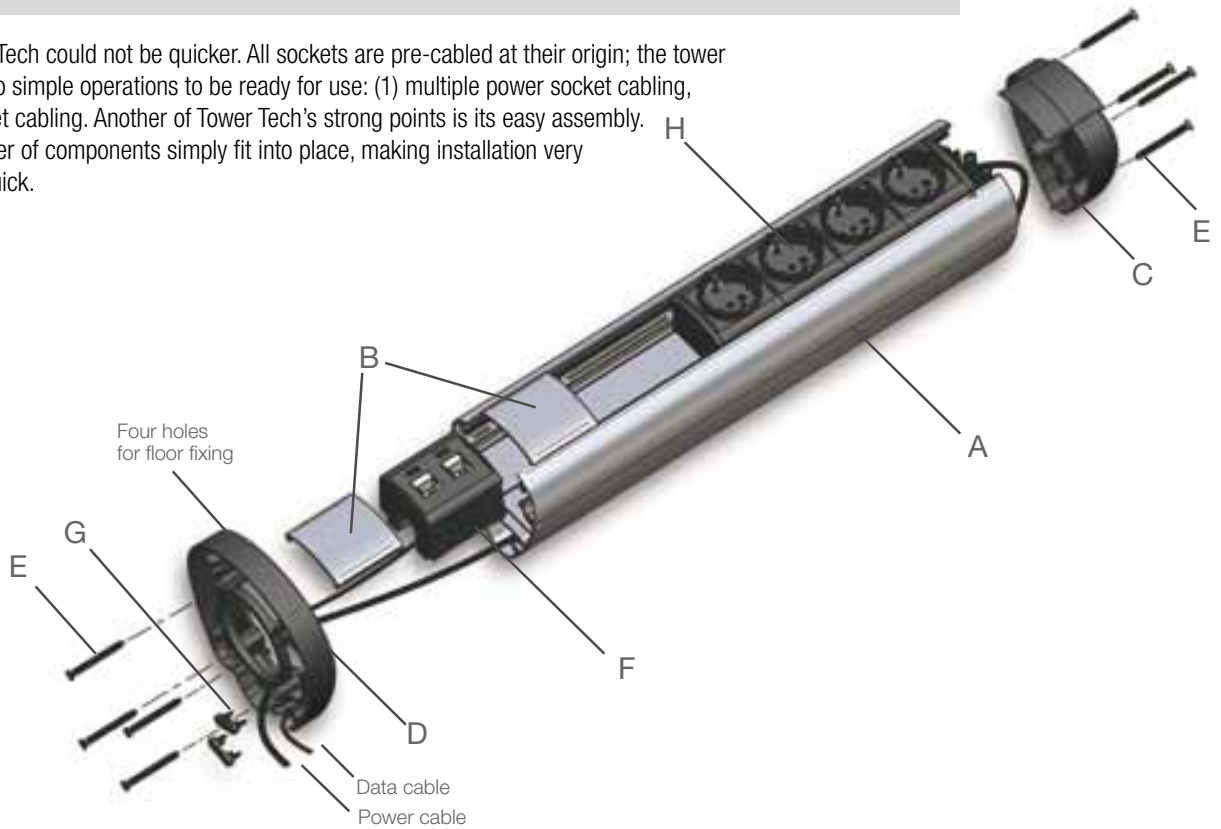
On request Tower Tech can be customised with:



- | | | |
|---|--|--|
| <p>1) Double-pitch Italian 10A/16A+E sockets;
2) Dedicated UPS line sockets;
3) French standards sockets;</p> | <p>4) British standards sockets;
5) Luminous bipolar switch;
6) Overload protection (bipolar luminous switch);</p> | <p>7) Thermal cut-out with warning lamp;
8) Sat-TV reception sockets;
9) Cat. 3 RJ12 telecommunications sockets.</p> |
|---|--|--|

2 WIRING CONNECTIONS AND THE INSTALLATION IS COMPLETE!

Wiring Tower Tech could not be quicker. All sockets are pre-cabled at their origin; the tower needs just two simple operations to be ready for use: (1) multiple power socket cabling, (2) data socket cabling. Another of Tower Tech's strong points is its easy assembly. A large number of components simply fit into place, making installation very simple and quick.



EASY ASSEMBLY

- 1 Route the cables through the base (D).
- 2 Cable the power socket power supply cable (H) and connect the tower ground bar to ground.
- 3 Fit the top cover and the spacer (B).
- 4 Cable the data sockets.
- 5 Fit the data kit (F).
- 6 Fit the spacer (B) and screw the base onto the tower. Fix the tower to the floor.

"TOWER TECH" SERIES COLUMNS AND TOWERS

▼ GENERAL SPECIFICATIONS

- Columns/towers for data and power distribution;
- Aluminium frame, IMQ certified;
- Overall dimensions, mm: B=280 x P=280;
- Height options, mm: 450, 650, 1000;
- Modula kit made in high isolation, tough, long life thermoplastic;
- Each unit is supplied with a ground plant kit;
- Minimum storage/shipping temperature -25°C;
- Minimum installation/operating temperature -15°C;
- Maximum operating temperature +60°C;
- Resistant to light impacts;
- Ideal for installation in areas where floors are cleaned with liquid products;
- Intended for continuous duty.

■ INSTALLATION version

(with components correctly sized and ready for cabling)



Code	Size	Position	German sockets	Data sockets	Package
45850	45 cm	Vertical	4	2	1
45860	65 cm	Vertical	6	4	1
45870	100 cm	Vertical	8	4	1
45880	45 cm	Horizontal	4	2	1



Code	Size	Position	French sockets	Data sockets	Package
45900	45 cm	Vertical	4	2	1
45910	65 cm	Vertical	6	4	1
45920	100 cm	Vertical	8	4	1
45930	45 cm	Horizontal	4	2	1



Code	Size	Position	British sockets	Data sockets	Package
45950	45 cm	Vertical	4	2	1
45960	65 cm	Vertical	6	4	1
45920	100 cm	Vertical	8	4	1
45930	45 cm	Horizontal	4	2	1

■ CABLED version

(supplied assembled and ready for use; complete with 2 adaptors for 6/6 plugs to 8/6 sockets and 3 m power/data cable)



Code	Size	Position	German sockets	Data sockets	Package
40850	45 cm	Vertical	4	2	1
40860	65 cm	Vertical	6	4	1
40870	100 cm	Vertical	8	4	1
40880	45 cm	Horizontal	4	2	1



Code	Size	Position	French sockets	Data sockets	Package
40900	45 cm	Vertical	4	2	1
40910	65 cm	Vertical	6	4	1
40920	100 cm	Vertical	8	4	1
40930	45 cm	Horizontal	4	2	1



Code	Size	Position	British sockets	Data sockets	Package
40950	45 cm	Vertical	4	2	1
40960	65 cm	Vertical	6	4	1
40970	100 cm	Vertical	8	4	1
40980	45 cm	Horizontal	4	2	1

■ Accessories

Code	Description	Packaging	No. pcs.
40790	Cable reel	None	1
40791	Connection fitting	None	1
40792	Steel plate	None	1



2010
2011
TOWER TECH SERIES



CREATE YOUR IDEAL TOWER TECH

N.B.: Please send
a copy by fax to
+39 049 95.97.976

Date

Client

Person we may contact


Phone number

QUANTITY OF SOCKETS/ACCESSORIES

DATA/SIGNAL SOCKETS (max. total 8 sockets)

 Module with 2 sockets
10/16A
Italian and German std.

QUANTITY

 Specific UPS line socket (generator)
N.B. also accepts Italian Standard 2P+E 10A plug

QUANTITY

 Italian/German standard socket
N.B. also accepts Italian 2P+E 10A plug

QUANTITY

 Miniature circuit breaker with warning light

YES
 NO

 French standard socket

QUANTITY

 Twin-core luminous switch with overvoltage protection


YES
 NO


 British standard socket


QUANTITY


 Twin-core luminous switch

YES
 NO

 Sockets Cat. 5e unshielded UTP
 Sockets Cat. 5e shielded FTP
 Sockets Cat. 6 unshielded UTP
 Sockets Cat. 6 shielded FTP

 Telephone and Fax sockets 6/6c.

 Male TV socket 9.5 mm
 SAT sockets

 Pre-prepared for 2 RJ modules with socket cover (for future expansion)

COLUMN TYPE Horizontal (desk) Vertical (floor) Vertical (with floor and ceiling fixing system — max height 3m)

COLUMN VERSION For installation (ready to be wired) Ready to be used (supplied with 3 m. cable with plugs)

COLUMN DIMENSION cm Must be specified for versions up to ceiling. Optional for other versions, as to be sized according to the data/energy sockets required.

STEEL RESTING BASE Cod. 40792 YES NO

QUANTITY OF COLUMNS (Minimum 5 pcs.)

NOTES:

This page can be also downloaded directly from our website: www.fanton.com

"TOWER TECH" MULTI-SOCKETS



▼ GENERAL SPECIFICATIONS

- Suitable for use at home, in shops, offices and at fairs;
- Polycarbonate body for a high shock resistance;
- Sockets with brass pockets, shielded against accidental and voluntary contacts;
- Suitable for wall mounting with dedicated brackets.

▼ WARNING

- Do not use outdoor;
- Do not exceed the maximum overload power stated on the item's label;
- Check periodically the condition of cables, plugs and sockets.

Code	Outputs	Description	Colour	Packaging	No. pieces
40800	3	2P+E 16A German std. P30 Blind plug and wall mounting kit	■ ■ ■ ■ ■	Bag and hanger	12
40830	4	2P+E 16A German std. P30 Blind plug and wall mounting kit	■ ■ ■ ■ ■	Bag and hanger	12
40840	5	2P+E 16A German std. P30 Blind plug and wall mounting kit	■ ■ ■ ■ ■	Bag and hanger	12



40801	3	2P+E 16A French std. Blind plug and wall mounting kit	■ ■ ■ ■ ■	Bag and hanger	12
40831	4	2P+E 6A French std. Blind plug and wall mounting kit	■ ■ ■ ■ ■	Bag and hanger	12
40841	5	2P+E 6A French std. Blind plug and wall mounting kit	■ ■ ■ ■ ■	Bag and hanger	12



40802	3	2P+E 13A British std. Blind plug and wall mounting kit	■ ■ ■ ■ ■	Bag and hanger	12
40832	4	2P+E 13A British std. Blind plug and wall mounting kit	■ ■ ■ ■ ■	Bag and hanger	12
40842	5	2P+E 13A British std. Blind plug and wall mounting kit	■ ■ ■ ■ ■	Bag and hanger	12



ACCESSORIES



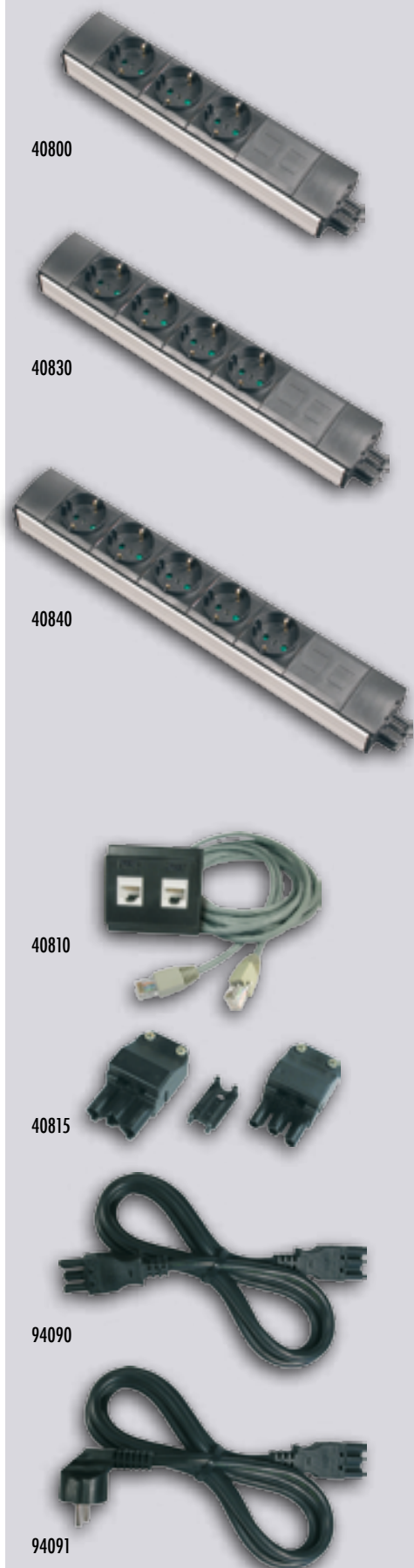
Code	Description	Colour	Packaging	No. pieces
40810	Kit with 2 cat. 5e data sockets Wired with 2 m LAN UTP cable	■ ■ ■ ■ ■	Bag and hanger	25
40815	Kit for patch-cord assembling including: 1 dismountable polarized male connector 16A 1 dismountable polarized female connector 16A, 1 anchoring hook	■ ■ ■ ■ ■	Bag	50
94090	2 m linear patch-cord 3x1.50 mm ² 1 st end: polarized male connector 2 nd end: polarized female connector	■ ■ ■ ■ ■	Bag and hanger	25



94091	2 m power cord 3x1.5 mm ² 1 st end: German Std. socket 2 nd end: polarized connector	■ ■ ■ ■ ■	Bag and hanger	25
--------------	---	-----------	----------------	----



94094	2 m power cord 3x1.50 mm ² 1 st end: British std. socket 2 nd end: polarized connector	■ ■ ■ ■ ■	Bag and hanger	25
--------------	---	-----------	----------------	----



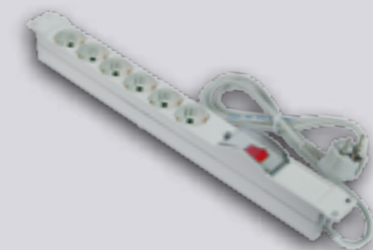
2010
2011
TOWER TECH MULTI-SOCKET

MULTI-SOCKETS RACK

NEW

▼ GENERAL SPECIFICATIONS

- Built from polycarbonate;
- Transparent cover protecting switches against accidental intervention;
- Luminous switch showing voltage (in version 23204);
- Warning light showing voltage (in version 23206);
- MCB 16A curved C 6 kA, supplied as standard (in version 23206);
- Cable 3G2.5, length 3 metres with German standard 16A socket;
- Inclination of sockets to 45°;
- Possibility of series application, using one unit in the Rack 19";
- Possibility of vertical installation using a specific adaptor;
- Sockets angled to 45° to exploit and best rationalise the space taken up by the plugs;
- VDE certified, produced using the UNI EN ISO 9001-2008 system.



23204



23205



23206



23207

Code	Description	Colour	Packaging	No. pieces
23204	Multi-outlet RACK socket with 6 outlets 2P+E 16A 250V German Std. - Socket 2P+E 16A 250V Fr./Ger. Std. + cable 3m H05VV-F 3G1,5 + luminous switch	■ ■ ■ ■ ■ ■	Box	12
23205	Multisocket RACK with 6 outlets 2P+E 16A 250V German Std. Plug 2P+E 16A 250V Fr./Ger. Std. + cable 2m H05VV-F 3G1,5 + Luminous switch NE.	■ ■ ■ ■ ■ ■	Box	12

Code	Description	Colour	Packaging	No. pieces
23206	Multi-outlet RACK socket with 6 outlets 2P+E 16A 250V German Std. -Socket 2P+E 16A 250V Fr./Ger. Std. + cable 3m H05VV-F 3G1,5 + MCB	■ ■ ■ ■ ■ ■	Box	12
23207	Multisocket RACK with 6 outlets 2P+E 16A 250V German Std. Plug 2P+E 16A 250V Fr./Ger. Std. + cable 2m H05VV-F 3G1,5 + MCB NE.	■ ■ ■ ■ ■ ■	Box	12



Art. 23204



Art. 23206



Cable outlet

The transparent lid protects the switches from accidental intervention.

A specific return allows the cable to rotate, facilitating installation on Rack modules.

2010
2011

MULTI-SOCKET RACK



ELECTRICAL
COMPONENTS
FACTORY

MULTI-SOCKETS

- "Modula" series multi-sockets
- "Professional" series multi-sockets
- "Fido" series multi-sockets
- "UPS" series multi-sockets



Multi – sockets

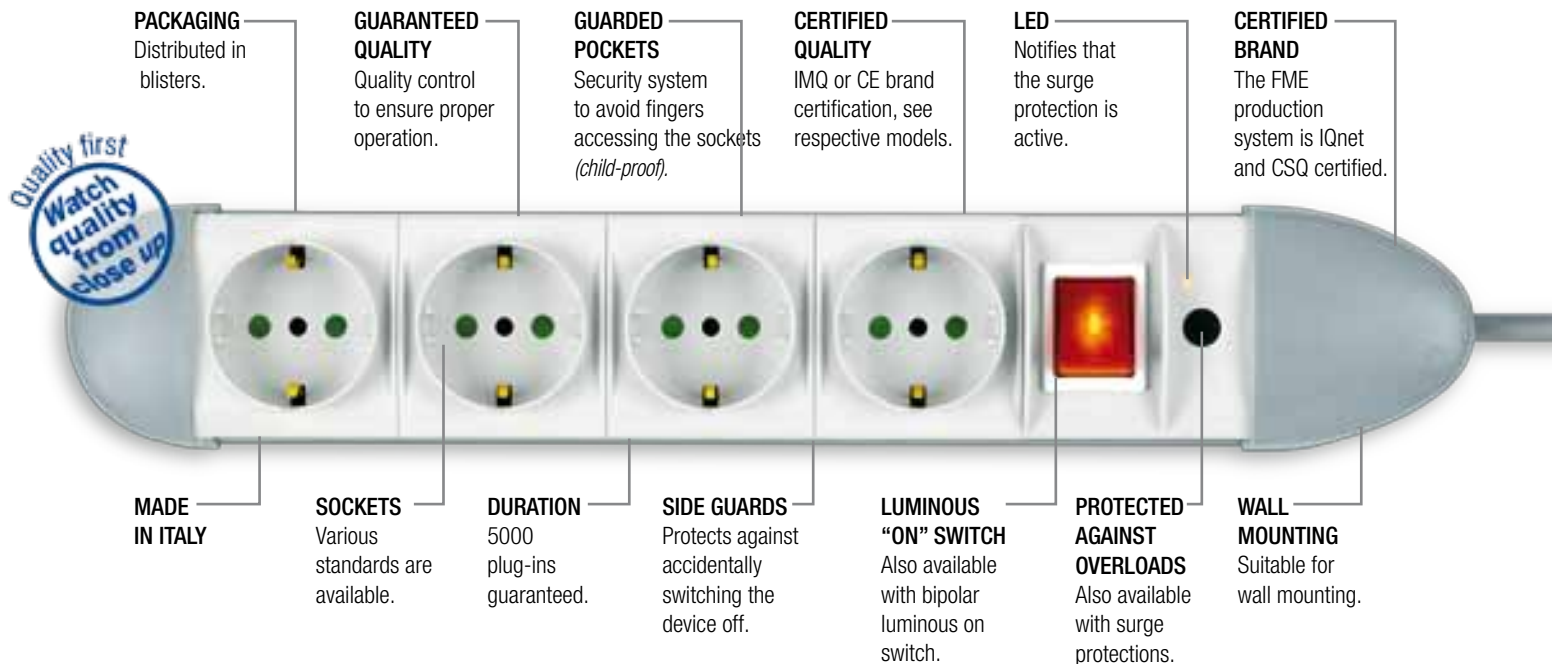
modula

FME multi-sockets provide you with energy and safety. Resulting from a meticulous design project, our multi-sockets reveal refined designs and innovative, long-lasting and safe technical solutions, also with a wall-mounting option. FME brand multi-sockets are a top-of-the-range Made in Italy product. The choice of materials, the strict tests required during the production phases and the guarantee of a leading brand in its sector, testify to the undeniable quality of these products.

Manufactured under an exclusive Fanton patent, FME multi-sockets are a must whenever an additional number of sockets is required with a practical and safe solution.



TECHNICAL CHARACTERISTICS



GENERAL SPECIFICATIONS

- Manufactured in compliance with CEI 23-50.
- Suitable for use at home (TV, video recorders, HI-FI, computers), in shops and offices.
- Body manufactured in thermoplastic material provides high mechanical resistance.
- Double insulation certified <HAR> H05VV-F cable, blocked in the body by means of a tear-proof cable clamp fixed with screws.
- Die cast plug-in certified PVC 2P+E 16A with protected pins.
- Sockets with pockets shielded against accidental and voluntary contact.

- Projecting fins enable easy wall mounting, if required.

OVERLOAD PROTECTION

- This mechanism protects connected equipment from network overloads due to external forces (discharges) or internal agents (operation of machinery equipped with electrical motors) up to max. 30J, when the voltage exceeds 650V having a discharge capacity of 1.2kA (8/20ms).
- Especially suitable to protect TVs, video-recorders, HI-FIs, computers, cash registers, faxes, copying machines, industrial and laboratory instruments, etc.

- The overload discharge element is protected by a quick-replacement 4A fuse. Protection is activated when the LED is on. When the LED is off, replace the fuse making sure that the plug is not in the socket. In any case, if the LED is off, the product will still function as a traditional multi-socket.

WARNING

- Not to be used outdoors.
- Do not exceed the maximum overload power stated on each item.
- Regularly perform a visual check to assess the conditions of cable, plugs and sockets.

FIDO Multi-sockets



The FME Fido range of table-top multi-sockets are a real must in all environments where additional available sockets are required, to easily provide the required energy. With a linear and neat design, Fido delivers original and interesting functions that place it at the top of the range in its category.



CABLING IN THREE STEPS

GENERAL SPECIFICATIONS

- Manufactured in compliance with CEI 23-50, NF C61-314 and BS1363-1
- Suitable for use at home (TV, video recorders, HI-FI, computers), shops and offices.
- Polycarbonate body provides high mechanical resistance.
- Double insulation certified <HAR> H05VV-F, cable blocked in the body by means of a tear-proof cable clamp fixed with screws (except art. 41000 that is non-dismountable).

- Die cast plug in certified PVC 2P+E 16A with protected pins (except art. 41000 and 41002 with 10A plug).
- Sockets with pockets shielded against accidental and voluntary contact.
- Projecting fins enable easy wall mounting, if required.
- Easy-to-replace power cables through partial opening of the multi-socket (except art. 41000 and 41002).

MICRO CIRCUIT BREAKER

- Mechanism included in art. 41105 protecting the multi-socket from overheating due to a possible excess overload power (max 2.500 Watt).

WARNING

- Not to be used outdoors.
- Do not exceed the maximum overload power stated on each item.
- Regularly perform a visual check to assess the conditions of cable, plugs and sockets.

"MODULA" MULTI-SOCKETS



45614



45634



45616



45636



45618



45638



Code	Outputs	Sockets Type	Cable	Cable mm ²	Packaging	No. pieces.
45613 (*)	4	2P+E 250V 16A German std. P30 Luminous switch	1.5 m	3x1	Blister	12
45614 (*)	4	2P+E 250V 16A German std. P30 Overload protection Luminous switch	1.5 m	3x1	Blister	6
45633 (*)	6	2P+E 250V 16A German std. P30 Luminous switch	1.5 m	3x1	Blister	12
45634 (*)	6	2P+E 250V 16A German std. P30 Overload protection Luminous switch	1.5 m	3x1	Blister	6

(*) German standard plug



Code	Outputs	Sockets Type	Cable	Cable mm ²	Packaging	No. pieces.
45615 (*)	4	2P+E 250V 16A French std. Luminous switch	1.5 m	3x1	Blister	12
45616 (*)	4	2P+E 250V 16A French std. Overload protection Luminous switch	1.5 m	3x1	Blister	6
45635 (*)	6	2P+E 250V 16A French std. Luminous switch	1.5 m	3x1	Blister	12
45636 (*)	6	2P+E 250V 16A French std. Overload protection Luminous switch	1.5 m	3x1	Blister	6

(*) French/German standard plug



Code	Outputs	Sockets Type	Cable	Cable mm ²	Packaging	No. pieces.
45617 (*)	4	2P+E 250V 13A British std. Luminous switch	1.5 m	3x1	Blister	12
45618 (*)	4	2P+E 250V 13A British std. Overload protection Luminous switch	1.5 m	3x1	Blister	6
45637 (*)	6	2P+E 250V 13A British std. Luminous switch	1.5 m	3x1	Blister	12
45638 (*)	6	2P+E 250V 13A British std. Overload protection Luminous switch	1.5 m	3x1	Blister	6

(*) British standard plug



Code	Outputs	Sockets Type	Cable	Cable mm ²	Packaging	No. pieces.
45713 (*)	2+2	2P+E 250V 10/16A Italian and German std. 2P+E 250V 16A German std. P30 Luminous switch	1.5 m	3x1	Blister	12
45714 (*)	2+2	2P+E 250V 10/16A Italian and German std. 2P+E 250V 16A German std. P30 Overload protection Luminous switch	1.5 m	3x1	Blister	6
45723 (*)	4+4	2P+E 250V 10/16A Italian and German std. 2P+E 250V 16A German std. P30 Luminous switch	1.5 m	3x1	Blister	12
45724 (*)	4+4	2P+E 250V 10/16A Italian and German std. 2P+E 250V 16A German std. P30 Overload protection Luminous switch	1.5 m	3x1	Blister	6

(*) Italian standard plug



Code	Outputs	Sockets Type	Cable	Cable mm ²	Packaging	No. pieces.
45533 (*)	6	2P+E 250V 10/16A Italian and German std. Luminous switch	1.5 m	3x1	Blister	12
45534 (*)	6	2P+E 250V 10/16A Italian and German std. Overload protection Luminous switch	1.5 m	3x1	Blister	6
45553 (*)	8	2P+E 250V 10/16A Italian and German std. Luminous switch	1.5 m	3x1	Blister	12
45554 (*)	8	2P+E 250V 10/16A Italian and German std. Overload protection Luminous switch	1.5 m	3x1	Blister	6

(*) Italian standard plug



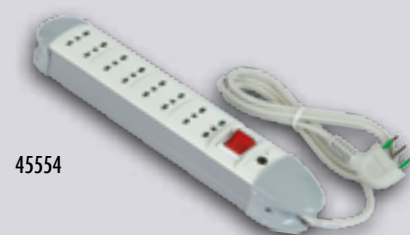
45714



45724



45534



45554

2010
2011

MULTI-SOCKETS

PROFESSIONAL MULTI-SOCKETS



41151



42011



42012



Code	Outputs	Description	Cable	Cable mm ²	Colour	Packaging	No. pieces.
41151	3	2P+E 250V 16A German std. Plug: 2P+E 250V 16A French/German std. Fully manufactured in die-cast PVC	1.5 m	3x1	■ ■ ■ ■	Bag and hanger	50



Code	Outputs	Description	Cable	Cable mm ²	Colour	Packaging	No. pieces.
42011	4	2P+E 250V 16A German std. P30 Plug: 2P+E 250V 16A French/German std. Die-cast PVC shell	3 m	3x1.5	■ ■ ■ ■	Bag and hanger	6



Code	Outputs	Description	Cable	Cable mm ²	Colour	Packaging	No. pieces.
42012	4	2P+E 250V 16A French std. Plug: 2P+E 250V 16A French/German std. Die-cast PVC shell	3 m	3x1.5	■ ■ ■ ■	Bag and hanger	6



Code	Outputs	Description	Cable	Cable mm ²	Colour	Packaging	No. pieces.
42022	4	2P+E 250V 16A French std. Plug: 2P+E 250V 16A French/German std. Die-cast PVC shell	5 m	3x1.5	■ ■ ■ ■	Bag and hanger	6

"FIDO" MULTI-SOCKETS

Code	Outputs	Sockets Type	Cable	Cable mm ²	Colour	Packaging	No. pieces.
41000	3	2P+E 10A	1.5 m	3x0.75		Flow Pack	25

41002	3	2P+E 10A	1.5 m	3x0.75		Flow Pack	25
-------	---	----------	-------	--------	--	-----------	----



NEW

NEW SPACE SAVING 90° PLUGS

Code	Outputs	Sockets Type	Cable	Cable mm ²	Colour	Packaging	No. pieces.
41012	3	2P+E 16A Italian and German std.	W/O cable	—		Flow Pack	25

41014	3	2P+E 16A Dual std. Italian and German std.	W/O cable	—		Flow Pack	25
-------	---	---	-----------	---	--	-----------	----

41010	3	2P+E 16A Dual std. Italian and German std.	1.5 m	3x1		Flow Pack	25
-------	---	---	-------	-----	--	-----------	----

41011	3	2P+E 16A Dual std. Italian and German std.	1.5 m	3x1		Flow Pack	25
-------	---	---	-------	-----	--	-----------	----

41013	3	2P+E 16A Dual std. with luminous switch	1.5 m	3x1		Flow Pack	25
-------	---	--	-------	-----	--	-----------	----

41015	3	2P+E 16A Dual std. with luminous switch	1.5 m	3x1		Flow Pack	25
-------	---	--	-------	-----	--	-----------	----



41000



41002



41012



41010



41013



Code	Outputs	Sockets Type	Cable	Cable mm ²	Colour	Packaging	No. pcs.
41022	4	2P+E 16A Italian and German stnd.	W/O cable	—	□□□□	Flow Pack	25
41024	4	2P+E 16A Italian and German stnd.	W/O cable	—	■ ■ ■ ■	Flow Pack	25

41020	4	2P+E 16A Italian and German stnd.	1.5 m	3x1	□□□□	Flow Pack	25
41021	4	2P+E 16A Italian and German stnd.	1.5 m	3x1	■ ■ ■ ■	Flow Pack	25

41020-0065E*	4	2P+E 16A Italian and German stnd.	1.5 m	3x1	▬ ▬ ▬ ▬	Flow Pack	25
--------------	---	-----------------------------------	-------	-----	---------	-----------	----

(*) Box containing a mix of multi-sockets in 3 colours: 9 green, 9 smoky grey, 7 orange.

41023	4	2P+E 16A Italian and German stnd. Luminous switch	1.5 m	3x1	□□□□	Flow Pack	25
41025	4	2P+E 16A Italian and German stnd. Luminous switch	1.5 m	3x1	■ ■ ■ ■	Flow Pack	25

Code	Outputs	Sockets Type	Cable	Cable mm ²	Colour	Packaging	No. pcs.
41042	6	2P+E 16A Italian and German stnd.	W/O cable	—	□□□□	Flow Pack	12
41044	6	2P+E 16A Italian and German stnd.	W/O cable	—	■ ■ ■ ■	Flow Pack	12

41040	6	2P+E 16A Italian and German stnd.	1.5 m	3x1	□□□□	Flow Pack	12
41041	6	2P+E 16A Italian and German stnd.	1.5 m	3x1	■ ■ ■ ■	Flow Pack	12

41043	6	2P+E 16A Italian and German stnd. Luminous switch	1.5 m	3x1	□□□□	Flow Pack	12
41045	6	2P+E 16A Italian and German stnd. Luminous switch	1.5 m	3x1	■ ■ ■ ■	Flow Pack	12

Code	Outputs	Sockets Type	Cable	Cable mm ²	Colour	Packaging	No. pcs.
41082	4	2P+E 16A Italian and German std.	W/O cable	—	□□□□	Flow Pack	12
41087	4	2P+E 16A Italian and German std.	W/O cable	—	■□□□	Flow Pack	12
41086	4	2P+E 16A Italian and German std. Luminous switch	W/O cable	—	□□□□	Flow Pack	12

41080	4	2P+E 16A Italian and German std.	1.5 m	3x1	□□□□	Flow Pack	12
41081	4	2P+E 16A Italian and German std.	1.5 m	3x1	■□□□	Flow Pack	12
41083	4	2P+E 16A Italian and German std. Luminous switch	1.5 m	3x1	□□□□	Flow Pack	12

41083-0065E*	4	2P+E 16A Italian and German std. Luminous switch	1.5 m	3x1	□□□□	Flow Pack	12
--------------	---	---	-------	-----	------	-----------	----

41084	4	2P+E 16A Italian and German std. Overload protection	1.5 m	3x1	□□□□	Flow Pack	12	CE
-------	---	---	-------	-----	------	-----------	----	----

41085	4	2P+E 16A Italian and German std. Luminous switch	1.5 m	3x1	■□□□	Flow Pack	12
-------	---	---	-------	-----	------	-----------	----

(*) Box containing a mix of multi-sockets in 3 transparent colours: 4 green, 4 smoky grey, 4 orange.

41088 NEW	4	2P+E 16A Italian and German std. with plug 2P+E 16A French/German std. + switch	1.5 m	3x1	□□□□	Flow Pack	12
------------------	---	---	-------	-----	------	-----------	----

Code	Outputs	Sockets Type	Cable	Cable mm ²	Colour	Packaging	No. pcs.	
41102	6	2P+E 16A Italian and German std. Luminous switch	W/O cable	—	□□□□	Flow Pack	12	
41103	6	2P+E 16A Italian and German std. Luminous switch	1.5	3x1	□□□□	Flow Pack	12	
41104	6	2P+E 250V 16A Italian and German std - Overload protection Luminous switch	1.5	3x1	□□□□	Bag and hanger	6	CE

"SAUDIA" MULTI-SOCKETS

Only for non-CEE countries

Code	Outputs	Description	Cable	Cable mm ²	Colour	Packaging	No. pieces.
40264	4	10A Euro American std. Shutters - Luminous switch	5 m	2x0.50	□□□□	Bag and hanger	50
40265	4	10A Euro American std. Shutters - Luminous switch	10 m	2x0.50	□□□□	Bag and hanger	50



41082



41080



41083



41083-0065E



41084



41088



41102



40264

2010
2011

MULTI-SOCKETS

"UPS" MULTI-SOCKETS



41090

■ "Fido-UPS" Multi-sockets

Code	Outputs	Socket Type	Supply	Cable mm ²	Colour	Packaging	No. pcs.
41090	4	2P+E 16A Italian and German std. Plug: IEC 2P+E	1.5 m	3x0.75	■■■■■	Flow Pack	12

■ "BI-ENERGY" Modula Multi-socket

▼ GENERAL SPECIFICATIONS

The multi-outlet sockets Modula Bi-Energy are an evolution of the already known Modula. The name comes out from the constructive method which allows to make a big range of models, due to the use of modules.

The peculiarity of the new range of Modula Bi-Energy is to offer next to the traditional sockets some sockets for UPS protected line. Plugs and sockets are of different colours: red for lines which need to be under Uninterruptible Power Supply (UPS) and grey for connection of all the other devices.

The plug's identification with red colour is needed to connect properly the UPS-protected devices to the suitable protected socket, that is normally positioned on the wall and it has been prepared for this use when the plant has been made. The Modula Bi-Energy are helpful in offices, barracks, police headquarters, laboratories and everywhere There's the necessity to work with protected lines to avoid that accidental power supply's interruptions cause data's loss. They are ideal to connect electronic devices as computers, electro-medical devices, industrial instruments, TV, video recorders, Hi-Fi etc..



40728

Code	Outputs	Sockets Type	Supply	Cable mm ²	Packaging	No. pcs.
40728	2	Italian and German std.	2 cable of 1.5 m	3x1	Bag and hanger	12
	2	Italian and German std. red colour for continuity unit (UPS)				
	4	2P+E 16A 10/16A Italian and German std.				



ELECTRICAL
COMPONENTS
FACTORY

PLUGS, SOCKETS AND ADAPTORS FOR DOMESTIC USE

- Plugs, sockets and adaptors
- Professional plugs and sockets
- Trailing plugs and sockets
- Night pilot lights
- Adaptors for domestic use
- Flush-mounting sockets



plugs & sockets

for domestic use

FME designs and manufactures a wide range of electrical products for residential use, featuring the latest technological innovations, careful design, top quality materials and the highest manufacturing standards.

The handy "Flow Pack" packaging system provides an easy to use and practical solution to protect the products on the shelf. Cutting edge technological research in addition to its exclusive manufacturing know-how, have allowed FME products to lead the field.



TECHNICAL CHARACTERISTICS



ONE CHOSEN WIDE AND DIVERSIFIED



Flat range Adaptors

Featuring a rounded shape with a self-cleaning polycarbonate shiny surface, this ultra-flat adaptor is manufactured in compliance with CEI 23-57. Equipped with the Safety 2000 security system against fingers or metal parts accessing, is ideal for connecting electrical devices when only small spaces are available.



German and French std. Plugs and sockets

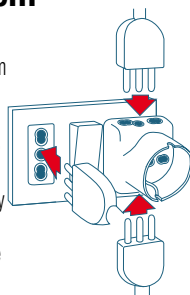
German and French standard plugs and sockets with earth contact. Manufactured in black or white polycarbonate, the plugs provide either an axial or a 90° cable position. Manufactured in compliance with CEI 23-50, they have also the German VDE certification.

Axial or 90° cable position.



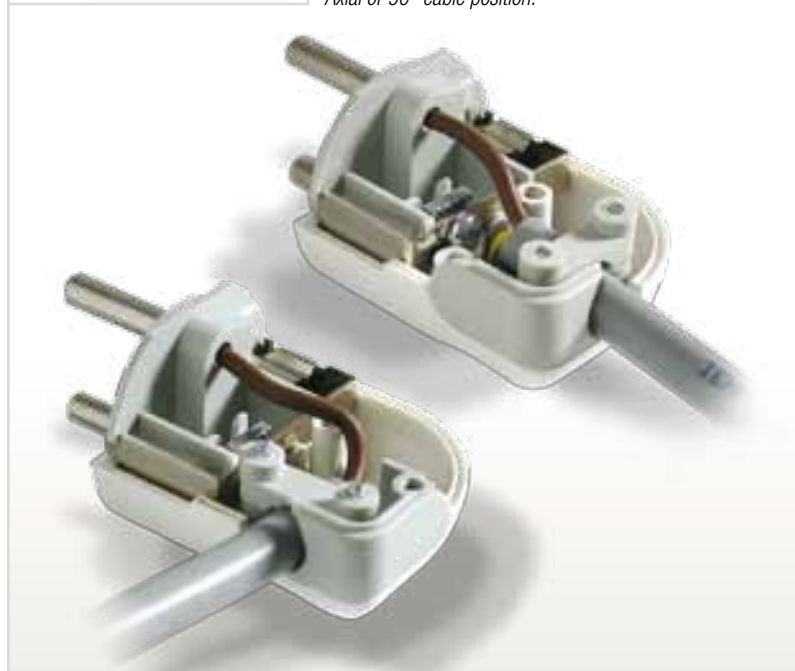
Vertical System Adaptors

The patented vertical system range of adaptors has the advantage of leaving the other outlets aside available for using. The exclusively Made in Italy FME products once again set themselves apart for the careful design and quality.



Trailing Plugs and sockets

In compliance with the European standard and IMQ branded, are available in different solutions: 10A, 16A and Italian and German std. standard. Are suitable in black or white colour.





82580



80070



82590



81040



NEW

82260



RoHS

82992

PLUGS, SOCKETS AND ADAPTORS

▼ GENERAL SPECIFICATIONS

- Manufactured in compliance with CEI 23-50 and DIN VDE 0620-1.
- Body and terminal blocks in highly heat and shock resistant special polymers.
- Plug in self-extinguishing material with nickel-plated brass pins.
- Plug with side earth contacts (German standard) and nickel-plated central pocket (French standard).
- The cable outlet on the plug can be positioned to the side 90° (≡) or axially (≡).
- Socket in self-extinguishing material with shielded brass pockets.
- Cable clamp with screws.
- Voltage: 250V.

▼ WARNING

- For the connection do not use a cable smaller than 1mm²



Code	Description	Colour	Packaging	No. pcs.
82580	Plug German std. 2P+E 16A	□□□□	Bag 10pcs	50
80070	Plug 2P+E 16A French/German std.	□□□□	50 pcs.	200
80071	Plug 2P+E 16A French/German std.	■ ■ ■ ■	50 pcs.	200



Code	Description	Colour	Packaging	No. pcs.
82590	Socket German std. 2P+E 16A	□□□□	Bag 10pcs	50

Code	Description	Colour	Packaging	No. pcs.
81040	Socket Italian and German std. 2P+E 16A	□□□□	25 pcs.	100



Code	Description	Colour	Packaging	No. pcs.
82260	Triple adaptor 2P+E 16A German std.	□□□□	20 pcs.	80

NIGHT PILOT LIGHTS



▼ GENERAL SPECIFICATIONS

- Lit up by 5 LEDs;
- Dusk sensor;
- Blue warning light;
- Double insulation;
- 2.5A Euro plug.



Code	Description	Colour	Packaging	No. pcs.
82992	Blue night light with automatic photosensitive sensor - Plug 2P 2.5A	□□□□	30 pcs.	120 RoHS

TRAILING PLUGS AND SOCKETS



▼ GENERAL SPECIFICATIONS

- Manufactured in compliance with CEI 23-5, CEI 23-16 and CEI 23-50;
- Body in highly heat and shock resistant polycarbonate, joined with stud screws;
- Plug with parallel aligned pins in nickel-plated brass, shrouded and protected;
- Sockets with brass pockets, shielded with protection level 2.1 against accidental and voluntary contacts;
- Soft cable gland and cable-clamp fixed on the body, except Easy series, which uses a self-fastening cable clamp without screws for a quick cable's insertion;
- AN INDUSTRIAL PACKAGING CAN BE REQUESTED BY ADDING THE PREFIX "SL" TO THE ARTICLE CODE;
- Voltage: 250V.

▼ WARNING

- Plugs and sockets without earth contacts may only be used in existing bipolar systems to power double insulation devices;
- For the connection use the following cables:
 - for 10A plugs and sockets: cable no smaller than 0.75 mm²;
 - for 16A plugs and sockets: cable no smaller than 1.00 mm²
- For the flat plugs:
 - Suitable to use with sockets without plug ring or catch plate;
 - Ensure they can be disconnected when sockets are side by side.



Code	Description	Colour	Packaging	No. pcs.
80010	Plug 2P+E 10A mod. BI-CO	□□□□	Flow pack 100 pcs.	400
80011	Plug 2P+E 10A mod. BI-CO	■ ■ ■ ■	Flow pack 100 pcs.	400



Code	Description	Colour	Packaging	No. pcs.
80020	Bicò Plug 2P+E 16A	□□□□	50 pcs.	200
80021	Bicò Plug 2P+E 16A	■ ■ ■ ■	50 pcs.	200

Code	Description	Colour	Packaging	No. pcs.
80005	Easy Plug 2P 10A	□□□□	10 pcs.	400
80006	Easy Plug 2P 10A	■ ■ ■ ■	10 pcs.	400
80007	Easy Plug 2P 10A (for lampshade)	■ ■ ■ ■	10 pcs.	400

Code	Description	Colour	Packaging	No. pcs.
80015	Easy Plug 2P+E 10A	□□□□	10 pcs.	400
80016	Easy Plug 2P+E 10A	■ ■ ■ ■	10 pcs.	400
80017	Easy Plug 2P+E 10A (for lampshade)	■ ■ ■ ■	10 pcs.	400

Code	Description	Colour	Packaging	No. pcs.
80025	Easy Plug 2P+E 16A	□□□□	10 pcs.	200
80026	Easy Plug 2P+E 16A	■ ■ ■ ■	10 pcs.	200



80010



80020



80015



80016



80025

2010
2011

PLUGS, SOCKETS AND ADAPTORS



SPACE SAVING

80032



SPACE SAVING

80030



SPACE SAVING

80040



81010



81000

Code	Description	Colour	Packaging	No. pcs.
80032	Flat Plug 2P 10A	□□□□	100 pcs.	400
80033	Flat Plug 2P 10A	■□□□	100 pcs.	400

Code	Description	Colour	Packaging	No. pcs.
80030	Flat Plug 2P+E 10A	□□□□	100 pcs.	400
80031	Flat Plug 2P+E 10A	■□□□	100 pcs.	400

Code	Description	Colour	Packaging	No. pcs.
80040	Flat Plug 2P+E 16A	□□□□	50 pcs.	200
80041	Flat Plug 2P+E 16A	■□□□	50 pcs.	200

Code	Description	Colour	Packaging	No. pcs.
81010	Socket 2P+E 10A	□□□□	50 pcs.	200
81011	Socket 2P+E 10A	■□□□	50 pcs.	200

MADE IN ITALY

Code	Description	Colour	Packaging	No. pcs.
81000	Socket 2P+E 10/16A Italian and German std.	□□□□	50 pcs.	200
81001	Socket 2P+E 10/16A Italian and German std.	■□□□	50 pcs.	200

MADE IN ITALY

2010
2011
PLUGS, SOCKETS AND ADAPTORS

ADAPTORS FOR DOMESTIC USE

▼ GENERAL SPECIFICATIONS

- Manufactured in compliance with CEI 23-50 and CEI 23-57.
- Body and terminal blocks in highly heat and shock resistant special polymers.
- Plug manufactured with self-extinguishing material with nickel-plated brass pins.
- Sockets with brass pockets, shielded with protection level 2.1 against accidental and voluntary contacts.
- Voltage: 250V.

▼ WARNING

- Do not exceed the maximum overload power where stated (Max. 1,500W).
- Avoid connecting adaptors.
- For flat adaptor: – Suitable to use with sockets without plug ring or catch plate
– Ensure they can be disconnected when sockets are side by side.



Code	Description	Colour	Packaging	No. pcs.	
82110	Plug 2P+E 16A Socket 2P+E 10/16A Italian and German stnd.		100 pcs.	400	
82111	Plug 2P+E 16A Socket 2P+E 10/16A Italian and German stnd.		100 pcs.	400	

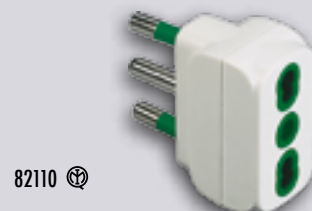
Code	Description	Colour	Packaging	No. pcs.	
81090	Plug 2P+E 16A German stnd. Socket 2P+E 10/16A Italian and German stnd.		50 pcs.	200	
81091	Plug 2P+E 16A German stnd. Socket 2P+E 10/16A Italian and German stnd.		50 pcs.	200	

Code	Description	Colour	Packaging	No. pcs.	
82120	Plug 2P+E 10A Socket 2P+E 16A German stnd.		50 pcs.	200	
82121	Plug 2P+E 10A Socket 2P+E 16A German stnd.		50 pcs.	200	

Code	Description	Colour	Packaging	No. pcs.	
82130	Plug 2P+E 16A Socket 2P+E 16A German stnd.		50 pcs.	200	
82131	Plug 2P+E 16A Socket 2P+E 16A German stnd.		50 pcs.	200	

Code	Description	Colour	Packaging	No. pcs.	
82250	Flat Plug 2P+E 10A – 3 Sockets 2P+E 10A		40 pcs.	160	
82251	Flat Plug 2P+E 10A – 3 Sockets 2P+E 10A		40 pcs.	160	
82252	Flat Plug 2P+E 10A – 3 Sockets 2P+E 10A		40 pcs.	160	

Code	Description	Colour	Packaging	No. pcs.	
82220	Flat Plug 2P+E 16A 3 Sockets 2P+E 10/16A Italian and German stnd.		40 pcs.	160	
82221	Flat Plug 2P+E 16A 3 Sockets 2P+E 10/16A Italian and German stnd.		40 pcs.	160	
82222	Flat Plug 2P+E 16A 3 Sockets 2P+E 10/16A Italian and German stnd.		40 pcs.	160	



82110



81090



82120



82130

SPACE SAVING



82250

SPACE SAVING



82220

SPACE SAVING



82222



82200



82280



82210



82240



82230



82190

Code	Description	Colour	Packaging	No. pcs.
82200	Plug 2P+E 10A 3 Sockets 2P+E 10	□□□□	50 pcs.	200
82201	Plug 2P+E 10A 3 Sockets 2P+E 10	■□□□	50 pcs.	200

Code	Description	Colour	Packaging	No. pcs.
82280	Plug 2P+E 16A 3 sockets 2P+E 16A Italian and German std.	□□□□	Flow pack 50pcs	200

Code	Description	Colour	Packaging	No. pcs.
82210	Plug 2P+E 10A 2 Sockets 2P+E 10A 1 Socket German std.	□□□□	50 pcs.	200
82211	Plug 2P+E 10A 2 Sockets 2P+E 10A 1 Socket German std.	■□□□	50 pcs.	200

Code	Description	Colour	Packaging	No. pcs.
82240	Vertical plug 2P+E 16A 2 sockets 2P+E 10/16A Italian and German std. 1 socket 2P+E 10/16A Italian and German std. + German std.	□□□□	50 pcs.	200
82241	Vertical plug 2P+E 16A 2 sockets 2P+E 10/16A Italian and German std. 1 socket 2P+E 10/16A Italian and German std. + German std.	■□□□	50 pcs.	200

Code	Description	Colour	Packaging	No. pcs.
82230	Plug 2P+E 16A French/German std. 2 sockets 2P+E 10/16A Italian and German std. 1 socket 2P+E 10/16A Italian and German std. + German std.	□□□□	50 pcs.	200
82231	Plug 2P+E 16A French/German std. 2 sockets 2P+E 10/16A Italian and German std. 1 socket 2P+E 10/16A Italian and German std. + German std.	■□□□	50 pcs.	200

Code	Description	Colour	Packaging	No. pcs.
82190	Plug 2P+E 16A 2 sockets 2P+E 10/16A Italian and German std. 1 socket German std. P30	□□□□	—	50
82191	Plug 2P+E 16A 2 sockets 2P+E 10/16A Italian and German std. 1 socket German std. P30	■□□□	—	50

2010
2011

PLUGS, SOCKETS AND ADAPTORS



ELECTRICAL
COMPONENTS
FACTORY

UNIVERSAL ADAPTORS

- Universal Power travel adaptor
- Universal USB travel adaptor
- Universal Phone travel adaptor

UNIVERSAL TRAVEL ADAPTORS

NEW



87881

■ Power Travel - Universal adaptor

▼ GENERAL FEATURES

- Max power: 125V c.a. ~ 5A / 250V c.a. ~ 2,5A



Compatible for use in more than 150 countries.



EU plug for countries with European standards.



USA plug for countries with American standards.



UK plug for countries with British standards.

Code	Description	Colour	Packaging	No. pcs.
87881	Set of universal adaptors with hard case	■ ■ ■ ■ ■	Blister	6

■ USB Travel - Universal USB adaptor

▼ GENERAL FEATURES

- Max power: 125V c.a. ~ 6A / 250V c.a. ~ 3A
- Max USB output power: 5V c.c. ~ 1A
- USB input power: 100 ~ 250V c.a.
- Fuse: 3 A / 250V c.a.



USB socket for powering and recharging portable devices (MP3 players, smart phones etc.)



Light indicating power supply.



Possibility of connecting plugs with European, British and American standards.



Protection fuses.

Code	Description	Colour	Packaging	No. pcs.
87882	Universal adaptor with USB outlet and protection (fuse 6A)	■ ■ ■ ■ ■	Blister	6

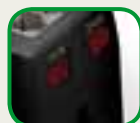
■ Phone Travel - Universal adaptor with data protection

▼ GENERAL FEATURES

- Max power: 125V c.a. ~ 6A / 250V c.a. ~ 3A
- Nominal peaks: 110 - 120V c.a. ~ 315 - 365J / 220 - 240V c.a. ~ 175J
- Peak currents in normal mode: 6 kA
- Response time to peaks (ns) in normal mode: 1 ns
- Fuse: 3A / 250 V c.a.



Protection against overvoltage of the data line for connection to portable computer.



Power supply indicator



On/off switch



Protection fuses.

Code	Description	Colour	Packaging	No. pcs.
87883	Universal adaptor with overload protection (fuse 6A) and modem/fax/phone protection (RJ12)	■ ■ ■ ■ ■	Blister	6



ELECTRICAL
COMPONENTS
FACTORY

PC ADAPTOR

- "TAK-TAK PC" adaptor

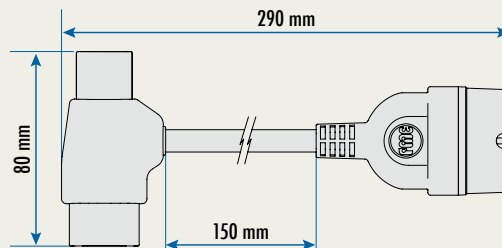
TAK-TAK ADAPTOR

NEW



82879

"Energy integrator" The simplest way to add a power socket to a workstation. The electrical supply of a PC, printer or fax usually takes place by means of a plug and socket connection created in accordance with standard IEC 60320. By inserting an adaptor between the plug and socket connection of the PC, we create a further utility with the standard socket P30, according to standard CEI 23-50. Product can be used at 250V for MAX currents of 10A. The product is made from heat- and impact-resistant thermoplastic material. Given that the adaptor is used at the rear of equipment, the P30 socket is separated from the rest of the connections by approx. 15 cm of cable to facilitate use.

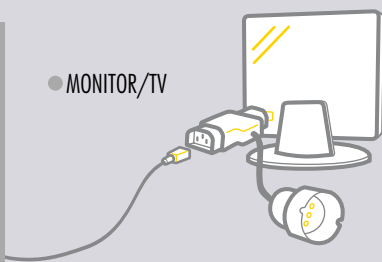


PC adaptor

Code	Description	Colour	Packaging	No. pcs.
82879	PC adaptor - IEC input plug + IEC output + socket 2P+E 10A P30	■■■■■	Flow Pack	24
87879	PC adaptor - IEC input plug + IEC output + socket 2P+E 10A P30	■■■■■	Blister	12

CAN BE USED WITH:

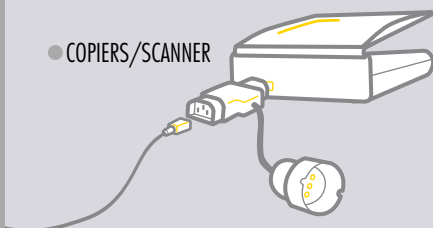
● MONITOR/TV



● PRINTER/FAX



● COPIERS/SCANNER



2010
2011

PC ADAPTOR



ELECTRICAL
COMPONENTS
FACTORY

CABLE REELS FOR DOMESTIC USE

- "Onda" cable reels
- "Golia Metal" cable reels
- Self-winding reels
- "Puma" cable reels
- Linear patch cords
- Extensible patch cords
- Power cords
- Self-service cables

"ONDA" INDUSTRIAL CABLE REELS



14623

▼ GENERAL SPECIFICATIONS

- Manufactured in compliance with EN 61316.
- Suitable for indoor and outdoor use, even in especially tough environmental conditions, including building sites and/or demolition sites.
- Manufactured in thermoplastic material in compliance with shock and thermal excursion standards.
- Certified <HAR> flexible cable in H07RN-F type where proof rubber (Neoprene).
- Indelible technical features printed on the item's label.
- All items are equipped with thermal device to automatically cut off the current from socket unit in the event of overheating with both rolled and unrolled cable; manual reset by pressing the red button once the temperature is back to normal levels.

▼ WARNING

- Do not exceed the maximum overload power stated on the right table
- Consult the technical guide in the final section of the catalogue.

Conductor Ø mm ²	Max. overload power	
	rolled	unrolled
2 x 1,50	1200 W	3400 W
3 x 2,50	1800 W	3400 W



Code	Length.	Cable mm ²	Cable Drum Ø	Sockets	Packaging	No pcs.	
14623	20 m	3x2.50	260 mm	2x2P+E 220V 16A 1x2P+E 220V 16A German std. Thermal cut-off	Box	1	CE
14625	30 m	3x2.50	320 mm	2x2P+E 220V 16A 1x2P+E 220V 16A German std. Thermal cut-off	Box	1	CE



Code	Length.	Cable mm ²	Cable Drum Ø	Sockets	Packaging	No pcs.	
14800	20 m	3x2.50	260 mm	2x2P+E 220V 16A 1x2P+E 220V 16A French std. Thermal cut-off	Box	1	CE
14801	30 m	3x2.50	320 mm	2x2P+E 220V 16A 1x2P+E 220V 16A French std. Thermal cut-off	Box	1	CE

N.B. A wider choice of items is available in the industrial section at page 34, 35, 36.



14800

2010
2011

CABLE REELS

"ONDA" CABLE REELS FOR DOMESTIC USE - IP44

▼ GENERAL SPECIFICATIONS

- Manufactured in compliance with EN 61242.
- Suitable for indoor and outdoor use in normal environmental conditions.
- Die cast plug in certified PVC 2P+E 16A with protected pins.
- Indelible technical features printed on the item's label.

▼ WARNING

- Do not exceed the maximum overload power stated on the right.
- Consult the technical guide in the final section of the catalogue.

Conductor Ø mm ²	Max. overload power	
	rolled	unrolled
2 x 1,00	1200 W	3400 W
3 x 2,50	1800 W	3400 W

■ H07RN-F cable - German standard

Code	Length.	Cable mm ²	Cable Drum Ø	Sockets	Packaging	No pcs.	
14820	25 m	3x1.50	260 mm	4x2P+E 220V 16A German std. Thermal cut-off	Box	1	CE
14821	40 m	3x1.50	320 mm	4x2P+E 220V 16A German std. Thermal cut-off	Box	1	CE
14822	50 m	3x1.50	320 mm	4x2P+E 220V 16A German std. Thermal cut-off	Box	1	CE



Code	Length.	Cable mm ²	Cable Drum Ø	Sockets	Packaging	No pcs.	
14823	25 m	3x2.50	320 mm	4x2P+E 220V 16A German std. Thermal cut-off	Box	1	CE
14824	40 m	3x2.50	320 mm	4x2P+E 220V 16A German std. Thermal cut-off	Box	1	CE

■ H07RN-F cable - French standard

Code	Length.	Cable mm ²	Cable Drum Ø	Sockets	Packaging	No pcs.	
14675	25 m	3x1.50	260 mm	4x2P+E 220V 16A French std. Thermal cut-off	Box	1	CE
14676	40 m	3x1.50	320 mm	4x2P+E 220V 16A French std. Thermal cut-off	Box	1	CE
14677	50 m	3x1.50	320 mm	4x2P+E 220V 16A French std. Thermal cut-off	Box	1	CE



Code	Length.	Cable mm ²	Cable Drum Ø	Sockets	Packaging	No pcs.	
14684	25 m	3x2.50	320 mm	4x2P+E 220V 16A French std. Thermal cut-off	Box	1	CE
14685	40 m	3x2.50	320 mm	4x2P+E 220V 16A French std. Thermal cut-off	Box	1	CE



14820



14675

2010
2011

CABLE REELS



14825

■ H05VV-F cable - German standard

Code	Length.	Cable mm ²	Cable Drum Ø	Sockets	Packaging	No pcs.	
14825	25 m	3x1.50	260 mm	4x2P+E 220V 16A German std. Thermal cut-off	Box	1	CE
14827	50 m	3x1.50	320 mm	4x2P+E 220V 16A German std. Thermal cut-off	Box	1	CE



Code	Length.	Cable mm ²	Cable Drum Ø	Sockets	Packaging	No pcs.	
14828	25 m	3x2.50	260 mm	4x2P+E 220V 16A German std. Thermal cut-off	Box	1	CE
14830	40 m	3x2.50	320 mm	4x2P+E 220V 16A German std. Thermal cut-off	Box	1	CE

■ H05VV-F cable - French standard

Code	Length.	Cable mm ²	Cable Drum Ø	Sockets	Packaging	No pcs.	
14695	25 m	3x1.50	260 mm	4x2P+E 220V 16A French std. Thermal cut-off	Box	1	CE
14697	50 m	3x1.50	320 mm	4x2P+E 220V 16A French std. Thermal cut-off	Box	1	CE



Code	Length.	Cable mm ²	Cable Drum Ø	Sockets	Packaging	No pcs.	
14803	25 m	3x2.50	260 mm	4x2P+E 220V 16A French std. Thermal cut-off	Box	1	CE
14804	40 m	3x2.50	320 mm	4x2P+E 220V 16A French std. Thermal cut-off	Box	1	CE



14695

"ONDA" GARDEN CABLE REELS FOR DOMESTIC USE

▼ GENERAL SPECIFICATIONS

- Manufactured in thermoplastic materials to comply shock and thermal excursion tests.
- Preferably use for gardening tools (hedge cutters, lawn mowers etc.).
- Double insulation certified <HAR> H05VV-F cable.
- Die cast plug-in certified PVC with protected pins.

▼ WARNING

- Do not exceed the maximum overload power stated on the right.
- Consult the technical guide in the final section of the catalogue.

Conductor Ø mm ²	Max. overload power	
	rolled	unrolled
3 x 1.50	1200 W	3400 W

■ H05VV-F cable - German standard

Code	Length.	Cable mm ²	Cable Drum Ø	Sockets	Packaging	No pcs.	
14631	25 m	3x1.50	260 mm	Plug 2P+E 250V 16A German std. at the center Socket 2P+E 250V 16A German std.	Box	1	CE
14633	40 m	3x1.50	320 mm	Plug 2P+E 250V 16A German std. at the center Socket 2P+E 250V 16A German std.	Box	1	CE
14822	50 m	3x1.50	320 mm	Plug 2P+E 250V 16A German std. at the center Socket 2P+E 250V 16A German std.	Box	1	CE

■ H05VV-F cable - French standard

Code	Length.	Cable mm ²	Cable Drum Ø	Plugs and Sockets	Packaging	No pcs.	
10195	25 m	2 x 1.00	260 mm	Cable reel GARDEN 25m H05VV-F 2x1,00 plug 2P German std. at the centre socket German std.	Box	3	CE
10203	25 m	3 x 1.50	260 mm	Cable reel GARDEN 25m H05VV-F 3x1,50 plug 2P+E 16A at the centre socket Italian/German std.	Box	3	CE
11193	50 m	3 x 1.50	320 mm	Cable reel 50m H05VV-F 3x1,50 GARDEN plug 2P+E 16A at the centre socket Italian/German std.	Box	3	CE

(*) Pressure cast plug, socket can be dismantled art. 81041



14631



10195

2010
2011

CABLE REELS

"GOLIA METAL" CABLE REELS FOR DOMESTIC USE

▼ GENERAL SPECIFICATIONS

- Manufactured in compliance with EN 61242.
- Suitable for indoor use and similar, in normal environmental conditions.
- Double insulation certified <HAR> H05VV-F cable.
- Die cast plug-in certified PVC 2P+E 16A with protected pins.
- Indelible technical features printed on the item's label.

▼ WARNING

- Do not exceed the maximum overload power stated on the right.
- Consult the technical guide in the final section of the catalogue.

Conductor Ø mm ²	Max. overload power	
	rolled	unrolled
2 x 1.50	1200 W	3400 W
3 x 2,50	1800 W	3400 W



14324



14329



14323

■ Metal stand and cable drum - Socket disc Ø 145 mm + flange Central disc made up of 4 sockets 2P+E 250V 16A German std. Cable with German std. plug



Code	Length.	Cable mm ²	Cable Drum Ø	Packaging	No pcs.	
14314	25 m	3x1.50	320 mm + thermal cut-off	Box	3	CE
14324	50 m	3x1.50	320 mm + thermal cut-off	Box	3	CE
14328	40 m	3x2.50	320 mm + thermal cut-off	Box	3	CE

■ Metal stand and cable drum - Socket disc Ø 145 mm + flange Central disc made up of 4 sockets 2P+E 250V 16A French std. Cable with French std. plug



Code	Length.	Cable mm ²	Cable Drum Ø	Packaging	No pcs.	
14319	25 m	3x1.50	320 mm + thermal cut-off	Box	3	CE
14329	50 m	3x1.50	320 mm + thermal cut-off	Box	3	CE

■ Metal stand and cable drum - Socket disc Ø 145 mm + flange Central disc made up of 4 sockets 2P+E 250V 10/16A Italian and German std. 1 Socket 2P+E 250V 16A German std.



Code	Length.	Cable mm ²	Cable Drum Ø	Packaging	No pcs.	
14313	25 m	3x1.50	320 mm + thermal cut-off	Box	3	CE
14323	50 m	3x1.50	320 mm + thermal cut-off	Box	3	CE
14326	40 m	3x2.50	320 mm + thermal cut-off	Box	3	CE

SELF-WINDING REELS

NEW SERIES

▼ GENERAL SPECIFICATIONS

- Built in compliance with standards EN 61242;
- Built using shock and thermal excursion resistant thermo plastic materials;
- Supplied with a cable blocking system that allows for it to be stopped in any position desired;
- Wall fixing bracket for rotations of up to 320° supplied;
- Possibility of having the cable in permanent continuous traction or blocked to the desired length;
- Supplied with cable end stop device;
- Thermal cut-out on all articles that automatically disconnects the current in the event of overheating of the cable, whether wound or unwound. The cut-out is manually reset;
- Suitable for wall or ceiling mounting;
- Dimensions: See dimensional sheet at the end of the catalogue;
- Power lead 1.4 m long.

▼ WARNING

- Comply with the maximum power collectable as specified on each article's label;
- Accompany the cable as it is recovered, do not leave it free.

■ Cable reel

Code	Description	Colour	Packaging	No. pcs.
14950	Self-winding cable reel - cable 15m 2x1,00 H05VV-F	■ ■ ■ ■	Box	1 CE
14951	Self-winding cable reel - cable 10m 3x1,50 H05VV-F	■ ■ ■ ■	Box	1 CE
14952	Self-winding cable reel - cable 15m 3x1,50 H05VV-F	■ ■ ■ ■	Box	1 CE
14953	Self-winding cable reel - cable 25m 3x1,50 H05VV-F	■ ■ ■ ■	Box	1 CE

■ Cable reel with 24V transformer

Code	Description	Colour	Packaging	No. pcs.
14960	Self-winding cable reel - cable 15m 2x1,00 H05VV-F + 24V transformer	■ ■ ■ ■	Box	1 CE

■ Cable reel with portable lamp

Code	Description	Colour	Packaging	No. pcs.
14961	Self-winding cable reel - cable 15m 2x1,00 H05VV-F + hand lamp part num. 62530	■ ■ ■ ■	Box	1 CE

■ Cable reel for compressed air

Code	Description	Colour	Packaging	No. pcs.
14962	Self-winding tube reel for compressed-air tube 10m - 6x10mm - 10bar	■ ■ ■ ■	Box	1 CE



14950



14960



14961



14962

ACCESSORIES

Code	Description	Colour	Packaging	No. pcs.
81032	Rubber socket 2P+E 16A German std. - IP44	■ ■ ■ ■	In bulk	20
81033	Connector with sockets 3 x 2P+E 16A German std. rubber made - IP44	■ ■ ■ ■	In bulk	10
81001	Socket 2P+E 16A Italian and German std. mod. BI-CO	■ ■ ■ ■	Flow pack 50pcs	200
81041	Socket Italian and German std. 2P+E 16A	■ ■ ■ ■	Flow pack 25pcs	100



81032

81033

81001

81041

2010
2011
SELF-WINDING REELS

"PUMA" CABLE REELS FOR DOMESTIC USE



▼ GENERAL SPECIFICATIONS

- Manufactured in compliance with EN 61242.
- Suitable for indoor use only exclusively in normal environmental conditions.
- Manufactured in resistant thermoplastic materials made to comply shock and fire tests standards.
- Double insulation certified <HAR> H05VV-F cable.
- Die cast plug in certified PVC with protected pins.
- Sockets with pockets shielded against accidental and voluntary contacts.
- Indelible technical features printed on the item's label.

▼ WARNING

- Do not exceed the maximum overload power stated on the right.
- Consult the technical guide in the final section of the catalogue.

Conductor Ø mm ²	Max. overload power	
	rolled	unrolled
2 x 0.75	500 W	1400 W
2 x 1.00	800 W	2200 W
3 x 1.00	800 W	2200 W
3 x 1,50	1200 W	3400 W



01284



01344



01289



01345



Code	Length.	Cable mm ²	Drum Ø	Packaging	No pcs.	
01274	5 m	3x1.50	175 mm	Shrink film	10	CE
01284	10 m	3x1.50	195 mm	Shrink film	10	CE

- 2 Sockets: 2P+E 250V 16A German std.
- Plug: 2P+E 250V 16A German std.
- Thermal cut-off



Code	Length.	Cable mm ²	Drum Ø	Packaging	No pcs.	
01334	15 m	3x1.50	245 mm	Box	3	CE
01344	20 m	3x1.50	245 mm	Box	3	CE

- 4 Sockets: 2P+E 250V 16A German std.
- Plug: 2P+E 250V 16A German std.
- Thermal cut-off



Code	Length.	Cable mm ²	Drum Ø	Packaging	No pcs.	
01279	5 m	3x1.50	175 mm	Shrink film	10	CE
01289	10 m	3x1.50	195 mm	Shrink film	10	CE

- 2 Sockets: 2P+E 250V 16A French std.
- Plug: 2P+E 250V 16A French std.
- Thermal cut-off



Code	Length.	Cable mm ²	Drum Ø	Packaging	No pcs.	
01335	15 m	3x1.50	245 mm	Box	3	CE
01345	20 m	3x1.50	245 mm	Box	3	CE

- 4 Sockets: 2P+E 250V 16A French std.
- Plug: 2P+E 250V 16A French std.
- Thermal cut-off



Code	Length.	Cable mm ²	Drum Ø	Packaging	No pcs.
01273	5 m	3x1.50	175 mm	Shrink film	10 CE
01283	10 m	3x1.50	195 mm	Shrink film	10 CE

- 3 Sockets: 2P+E 250V 10/16A Italian and German std.
- + 1 socket 2P+E 250V 16A German std.
- Plug: 2P+E 250V 16A certified
- Thermal cut-off



Code	Length.	Cable mm ²	Drum Ø	Packaging	No pcs.
01333	15 m	3x1.50	245 mm	Box	3 CE
01343	20 m	3x1.50	245 mm	Box	3 CE

- 5 Sockets: 2P+E 250V 10/16A Italian and German std.
- + 1 socket 2P+E 250V 16A German std.
- Plug: 2P+E 250V 16A certified
- Thermal cut-off



Code	Length.	Cable mm ²	Drum Ø	Packaging	No pcs.
01163	5 m	3x1.00	145 mm	Shrink film	12 CE
01203	10 m	3x1.00	175 mm	Shrink film	10 CE

- 2 Sockets: 2P+E 250V 10A
- Plug: 2P+E 250V 10A certified
- Thermal cut-off



Code	Length.	Cable mm ²	Drum Ø	Packaging	No pcs.
01030	5 m	2x1.00	145 mm	Shrink film	12 CE
01040	10 m	2x1.00	175 mm	Shrink film	10 CE

- 2 Sockets: 2P 250V 10A
- Plug: 2P 250V 10A certified



01283



01343



01203



01030

2010
2011

CABLE REELS

LINEAR PATCH CORDS



▼ GENERAL SPECIFICATIONS

- Manufactured in compliance with international standards.
- Plug with parallel aligned pins in nickel-coated brass, shrouded and protected.
- Sockets with brass pockets, shielded with protection level 2.1 against accidental and voluntary contact.
- Flexible double insulated and certified H05VV-F cable.
- Voltage: 250V.

▼ WARNING

- Do not exceed the maximum overload power stated on the item's label.
- Consult the technical guide in the final section of the catalogue.



92210



92211



92676



92965

■ German standard linear patch cords

Code	Length	Cable mm ²	Plug and Socket	Colour	Packaging	No. pcs.
92210	3 m	3 x 1.00	2P+E 16A German std.	□□□□	Flow pack	25
92211	3 m	3 x 1.00	2P+E 16A German std.	■ ■ ■ ■	Flow pack	25
92220	5 m	3 x 1.00	2P+E 16A German std.	□□□□	Flow pack	25
92221	5 m	3 x 1.00	2P+E 16A German std.	■ ■ ■ ■	Flow pack	25
92708	10 m	3 x 1.00	2P+E 16A French std.	□□□□	Flow pack	30
92709	10 m	3 x 1.00	2P+E 16A French std.	■ ■ ■ ■	Flow pack	30
92678	3 m	3 x 1.50	2P+E 16A German std.	□□□□	Flow pack	50
92679	3 m	3 x 1.50	2P+E 16A German std.	■ ■ ■ ■	Flow pack	50
92692	5 m	3 x 1.50	2P+E 16A German std.	□□□□	Flow pack	40
92693	5 m	3 x 1.50	2P+E 16A German std.	■ ■ ■ ■	Flow pack	40
92694	10 m	3 x 1.50	2P+E 16A German std.	□□□□	Flow pack	25
92695	10 m	3 x 1.50	2P+E 16A German std.	■ ■ ■ ■	Flow pack	25

■ French standard linear patch cords

Code	Length	Cable mm ²	Plug and Socket	Colour	Packaging	No. pcs.
92676	3 m	3 x 1.50	2P+E 16A French std.	□□□□	Flow pack	50
92677	3 m	3 x 1.50	2P+E 16A French std.	■ ■ ■ ■	Flow pack	50
92686	5 m	3 x 1.50	2P+E 16A French std.	□□□□	Flow pack	40
92687	5 m	3 x 1.50	2P+E 16A French std.	■ ■ ■ ■	Flow pack	40
92688	10 m	3 x 1.50	2P+E 16A French std.	□□□□	Flow pack	25
92689	10 m	3 x 1.50	2P+E 16A French std.	■ ■ ■ ■	Flow pack	25

■ "Garden" German standard linear patch cords

Code	Length	Cable mm ²	Plug and Socket	Colour	Packaging	No. pcs.
92965	25 m	2 x 1.00	2P 16A German std.	■ ■ ■ ■	Shrink film	5
92967	40 m	2 x 1.00	2P 16A German std.	■ ■ ■ ■	Shrink film	10
92966	50 m	2 x 1.00	2P 16A German std.	■ ■ ■ ■	Shrink film	5
92341	25 m	3 x 1.50	2P+E 16A German std.	■ ■ ■ ■	Shrink film	5
92343	40 m	3 x 1.50	2P+E 16A German std.	■ ■ ■ ■	Shrink film	8
92344	50 m	3 x 1.50	2P+E 16A German std.	■ ■ ■ ■	Shrink film	4

■ "Garden" French standard linear patch cords

Code	Length	Cable mm ²	Plug and Socket	Colour	Packaging	No. pcs.
92331	25 m	2 x 1.50	2P+E 16A French std.	■ ■ ■ ■	Shrink film	5
92333	40 m	2 x 1.50	2P 16A German std.	■ ■ ■ ■	Shrink film	8
92334	50 m	2 x 1.50	2P 16A German std.	■ ■ ■ ■	Shrink film	4

German standard linear patch cords



Code	Length	Cable mm ²	Plug and Socket	Colour	Packaging	No. pcs.
92040	3 m	2 x 0.75	2P 10A	□□□□	Flow pack	25
92041	3 m	2 x 0.75	2P 10A	■ ■ ■ ■	Flow pack	25
92160	5 m	2 x 0.75	2P 10A	□□□□	Flow pack	25
92161	5 m	2 x 0.75	2P 10A	■ ■ ■ ■	Flow pack	25



Code	Length	Cable mm ²	Plug and Socket	Colour	Packaging	No. pcs.
92060	2 m	3 x 0.75	2P+E 10A	□□□□	Flow pack	25
92061	2 m	3 x 0.75	2P+E 10A	■ ■ ■ ■	Flow pack	25
92080	3 m	3 x 0.75	2P+E 10A	□□□□	Flow pack	25
92081	3 m	3 x 0.75	2P+E 10A	■ ■ ■ ■	Flow pack	25
92180	5 m	3 x 0.75	2P+E 10A	□□□□	Flow pack	25
92181	5 m	3 x 0.75	2P+E 10A	■ ■ ■ ■	Flow pack	25
92120	3 m	3 x 1.00	2P+E 10A	□□□□	Flow pack	25
92121	3 m	3 x 1.00	2P+E 10A	■ ■ ■ ■	Flow pack	25
92200	5 m	3 x 1.00	2P+E 10A	□□□□	Flow pack	25
92201	5 m	3 x 1.00	2P+E 10A	■ ■ ■ ■	Flow pack	25
92710	8 m	3 x 1.00	2P+E 10A	□□□□	Flow pack	25
92711	8 m	3 x 1.00	2P+E 10A	■ ■ ■ ■	Flow pack	25

EXTENSIBLE PATCH CORDS



GENERAL SPECIFICATIONS

- Manufactured in compliance with CEI 23-50, CEI 20-20.
- Plug with parallel aligned pins in nickel-coated brass, shrouded and protected.
- Sockets with brass pockets, shielded with protection level 2.1 against accidental and voluntary contacts.

WARNING

- Do not exceed the maximum overload power stated on the item's label.
- Regularly perform a visual check to assess the conditions of cable, plugs and sockets.
- In order to maintain the spiral effect of the cable do not extend over 70% of the linear length stated for each specific cable.
- The cable length stated below is the original linear length of the cable.
- Consult the technical guide in the final section of the catalogue.

Extensible patch cords without plug and socket



Code	Length	Cable mm ²	Colour	Packaging	No. pcs.
90270	3 m	3 x 0.75	□□□□	Flow pack	12
90271	3 m	3 x 0.75	■ ■ ■ ■	Flow pack	12
90110	5 m	3 x 0.75	□□□□	Flow pack	12
90111	5 m	3 x 0.75	■ ■ ■ ■	Flow pack	12
90170	10 m	3 x 0.75	□□□□	Flow pack	12
90171	10 m	3 x 0.75	■ ■ ■ ■	Flow pack	12
90290	3 m	3 x 1.00	□□□□	Flow pack	12
90291	3 m	3 x 1.00	■ ■ ■ ■	Flow pack	12
90130	5 m	3 x 1.00	□□□□	Flow pack	12
90131	5 m	3 x 1.00	■ ■ ■ ■	Flow pack	12
90190	10 m	3 x 1.00	□□□□	Flow pack	12
90191	10 m	3 x 1.00	■ ■ ■ ■	Flow pack	12
90140	5 m	3 x 1.50	□□□□	Flow pack	12
90141	5 m	3 x 1.50	■ ■ ■ ■	Flow pack	12
90150	5 m	4 x 1.00	□□□□	Flow pack	12
90151	5 m	4 x 1.00	■ ■ ■ ■	Flow pack	12



92040



92041



92080



92081



90290



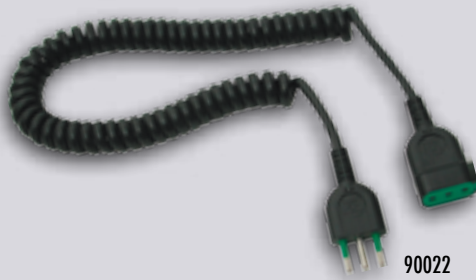
90291

2010
2011

PATCH CORDS



90020



90022



94001



94040



94060



94080

■ Extensible patch cords with plug and socket

Code	Length	Cable mm ²	Plug and Socket	Colour	Packaging	No. pcs.
90020	3 m	3 x 0.75	2P+E 10A	□□□□	Flow pack	25
90021	3 m	3 x 0.75	2P+E 10A	■ ■ ■ ■	Flow pack	25
90080	5 m	3 x 0.75	2P+E 10A	□□□□	Flow pack	25
90081	5 m	3 x 0.75	2P+E 10A	■ ■ ■ ■	Flow pack	25
90040	3 m	3 x 1.00	2P+E 10A	□□□□	Flow pack	25
90041	3 m	3 x 1.00	2P+E 10A	■ ■ ■ ■	Flow pack	25
90100	5 m	3 x 1.00	2P+E 10A	□□□□	Flow pack	25
90101	5 m	3 x 1.00	2P+E 10A	■ ■ ■ ■	Flow pack	25

POWER CORDS

■ Power cords for irons with H03RT-H cable (silicone coated)

Code	Length	Cable mm ²	Plug	Colour	Packaging	No. pcs.
94001	3 m	3 x 0.75	2P+E 250V German std.	■ □ ■ □	Bag and hanger	25

■ Power cords for radios and recorders with H05VH2-F cable

Code	Length	Cable mm ²	Plug and Socket	Colour	Packaging	No. pcs.
94040	1.5 m	2 x 0.75	2P 2.5A	■ ■ ■ ■	Bag and hanger	25

■ Power cords for PCs with H05VV-F cable

Code	Length	Cable mm ²	Plug and Socket	Colour	Packaging	No. pcs.
94060	2 m	3 x 0.75	2P+E 10A	■ ■ ■ ■	Bag and hanger	25

■ Power cords for electric razors

Code	Length	Cable mm ²	Plug and Socket	Colour	Packaging	No. pcs.
94080	2 m	2 x 0.25	2P 2.5A	■ ■ ■ ■	Bag and hanger	25

SELF-SERVICE CABLES (In Reels)



GENERAL SPECIFICATIONS

- Outer reel Ø 400 mm;
- Inner wind up Ø 200 mm;
- Reel width 230 mm;
- Length marks printed on cable;
- Barcode.

Flexible single-core cable N07V-K flame-retardant

Code	Length.	Cable mm ²	Colour	Packaging	No. pcs.	
93500	1500 m	1x1.50	■■■■	Reel	1	CE
93501	1500 m	1x1.50	■■■■	Reel	1	CE
93502	1500 m	1x1.50	■■■■	Reel	1	CE
93503	1500 m	1x1.50	■■■■	Reel	1	CE
93510	1000 m	1x2.50	■■■■	Reel	1	CE
93511	1000 m	1x2.50	■■■■	Reel	1	CE
93512	1000 m	1x2.50	■■■■	Reel	1	CE
93513	1000 m	1x2.50	■■■■	Reel	1	CE

Round similar-to-rubber cable H05V-F

Code	Length.	Cable mm ²	Colour	Packaging	No. pcs.	
93600	450 m	2x0.75	□□□□	Reel	1	CE
93630	450 m	2x0.75	■■■■	Reel	1	CE
93640	400 m	3x0.75	□□□□	Reel	1	CE
93641	400 m	3x0.75	■■■■	Reel	1	CE
93650	350 m	3x1.00	□□□□	Reel	1	CE
93651	350 m	3x1.00	■■■■	Reel	1	CE
93660	250 m	3x1.50	□□□□	Reel	1	CE
93661	250 m	3x1.50	■■■■	Reel	1	CE
93671	150 m	3x2.50	■■■■	Reel	1	CE

Nylly H05VH2-F cable

Code	Length.	Cable mm ²	Colour	Packaging	No. pcs.	
93580	500 m	2x0.75	□□□□	Reel	1	CE
93590	500 m	2x0.75	■■■■	Reel	1	CE

Flame retardant FROR 450/750V cable

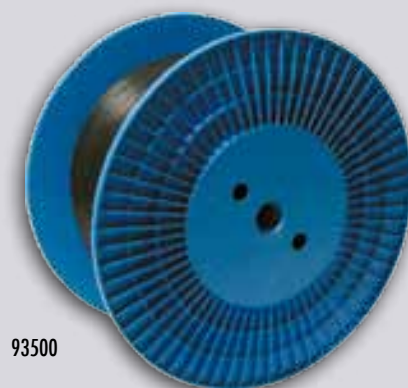
Code	Length.	Cable mm ²	Colour	Packaging	No. pcs.	
93662	250 m	3x1.50	■■■■	Reel	1	CE

Other cables

Code	Description	Colour	Length.	Packaging	No. pcs.	
93700	Coaxial cable (A21240) - Satellite Digital 75 Ohm - Ø 6.0 mm	□□□□	450 m	Reel	1	
93701	Coaxial cable (A21220) - MINISAT 75 Ohm - Ø 3.60 mm	□□□□	1300 m	Reel	1	
93712	Black/red flat cable for HI-FI - sec. 2x0.75 mm ²	■■■■	1500 m	Reel	1	
93713	Flat cable sec. 2x0.50 mm ²	□□□□	1000 m	Reel	1	
93714	Flat cable sec. 2x0.50 mm ²	■■■■	1000 m	Reel	1	
93720	Superflex cable - sec. 3x1.50 mm ²	■■■■	200 m	Reel	1	CE
93730	2-pair TR/R solid telephone cable	■■■■	700 m	Reel	1	
93731	4-pole flat telephone cable (A50001)	■■■■	1000 m	Reel	1	
93732	4-pole flat telephone cable (A50011)	■■■■	1000 m	Reel	1	
93733	Solid telephone cable TR/R (A51 201) - 1 pair+E	■■■■	1000 m	Reel	1	
93734	Neoprene cable H07RN-F 3x2.50 mm	■■■■	100 m	Reel	1	CE
93735	Neoprene cable H07RN-F 4x2.50 mm	■■■■	100 m	Reel	1	CE

Cable dispenser

Code	Description	Packaging	No. pcs.
99995	500 x 480 x 170/425 mm - for 2 reels Ø 400 mm	Box	1



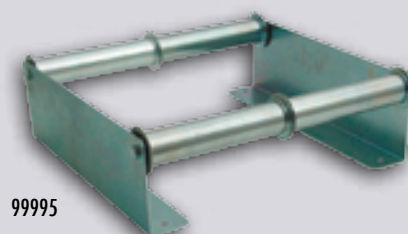
93500



93660



93720



99995

2010
2011

SELF-SERVICE CABLES

SELF-SERVICE CABLES (In coils)



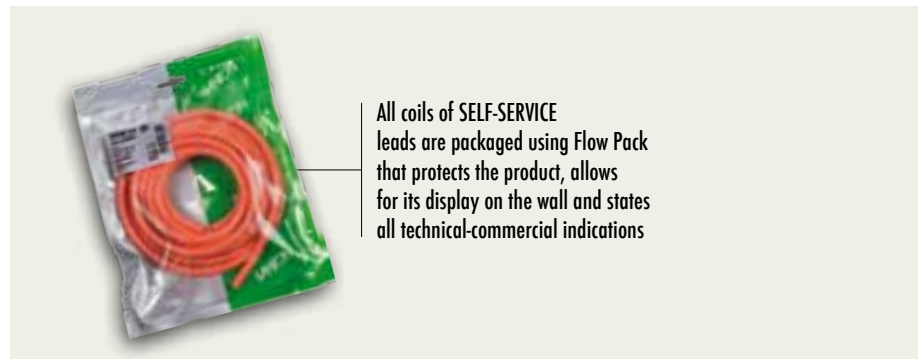
93011



93031



93100



All coils of SELF-SERVICE leads are packaged using Flow Pack that protects the product, allows for its display on the wall and states all technical-commercial indications

■ HI-FI flat cable

Code	Length.	Cable mm ²	Colour	Packaging	No. pcs.
93015	5 m	2 x 0.75	■ ■ ■ ■	Flow Pack	20
93010	10 m	2 x 0.75	■ ■ ■ ■	Flow Pack	20
93011	25 m	2 x 0.75	■ ■ ■ ■	Flow Pack	12
93055	5 m	2 x 0.75	□ □ □ □	Flow Pack	20
93050	10 m	2 x 0.75	□ □ □ □	Flow Pack	20
93051	25 m	2 x 0.75	□ □ □ □	Flow Pack	12

■ Tight flat cable H03VH-H

Code	Length	Cable mm ²	Colour	Packaging	No. pcs.
93025	5 m	2 x 0.75	□ □ □ □	Flow Pack	20 CE
93020	10 m	2 x 0.75	□ □ □ □	Flow Pack	20 CE
93021	25 m	2 x 0.75	□ □ □ □	Flow Pack	12 CE
93035	5 m	2 x 0.75	■ ■ ■ ■	Flow Pack	20 CE
93030	10 m	2 x 0.75	■ ■ ■ ■	Flow Pack	20 CE
93031	25 m	2 x 0.75	■ ■ ■ ■	Flow Pack	12 CE

■ Single-core flexible cable N07V-K flameretardant

Code	Length	Cable mm ²	Colour	Packaging	No. pcs.
93104	10 m	1 x 1.50	■ ■ ■ ■	Flow Pack	12 CE
93114	10 m	1 x 1.50	■ ■ ■ ■	Flow Pack	12 CE
93164	10 m	1 x 1.50	■ ■ ■ ■	Flow Pack	12 CE
93124	10 m	1 x 1.50	■ ■ ■ ■	Flow Pack	12 CE
93100	25 m	1 x 1.50	■ ■ ■ ■	Flow Pack	12 CE
93110	25 m	1 x 1.50	■ ■ ■ ■	Flow Pack	12 CE
93160	25 m	1 x 1.50	■ ■ ■ ■	Flow Pack	12 CE
93120	25 m	1 x 1.50	■ ■ ■ ■	Flow Pack	12 CE
93134	10 m	1 x 2.50	■ ■ ■ ■	Flow Pack	12 CE
93144	10 m	1 x 2.50	■ ■ ■ ■	Flow Pack	12 CE
93174	10 m	1 x 2.50	■ ■ ■ ■	Flow Pack	12 CE
93154	10 m	1 x 2.50	■ ■ ■ ■	Flow Pack	12 CE
93130	25 m	1 x 2.50	■ ■ ■ ■	Flow Pack	12 CE
93140	25 m	1 x 2.50	■ ■ ■ ■	Flow Pack	12 CE
93170	25 m	1 x 2.50	■ ■ ■ ■	Flow Pack	12 CE
93150	25 m	1 x 2.50	■ ■ ■ ■	Flow Pack	12 CE

■ Flat Nylly H05VH2-F cable

Code	Length	Cable mm ²	Colour	Packaging	No. pcs.
93205	5 m	2 x 0.75	□□□□	Flow Pack	20 CE
93215	5 m	2 x 0.75	■ ■ ■ ■	Flow Pack	20 CE
93200	10 m	2 x 0.75	□□□□	Flow Pack	20 CE
93210	10 m	2 x 0.75	■ ■ ■ ■	Flow Pack	20 CE
93201	25 m	2 x 0.75	□□□□	Flow Pack	10 CE
93211	25 m	2 x 0.75	■ ■ ■ ■	Flow Pack	10 CE



93201

■ H05VV-F round similar-to-rubber cable

Code	Length	Cable mm ²	Colour	Packaging	No. pcs.
93255	5 m	3 x 0.75	□□□□	Flow Pack	10 CE
93265	5 m	3 x 0.75	■ ■ ■ ■	Flow Pack	10 CE
93250	10 m	3 x 0.75	□□□□	Flow Pack	10 CE
93260	10 m	3 x 0.75	■ ■ ■ ■	Flow Pack	10 CE
93251	25 m	3 x 0.75	□□□□	Flow Pack	5 CE
93261	25 m	3 x 0.75	■ ■ ■ ■	Flow Pack	5 CE
93275	5 m	3 x 1.00	□□□□	Flow Pack	10 CE
93285	5 m	3 x 1.00	■ ■ ■ ■	Flow Pack	10 CE
93270	10 m	3 x 1.00	□□□□	Flow Pack	10 CE
93280	10 m	3 x 1.00	■ ■ ■ ■	Flow Pack	10 CE
93271	25 m	3 x 1.00	□□□□	Flow Pack	5 CE
93281	25 m	3 x 1.00	■ ■ ■ ■	Flow Pack	5 CE
93295	5 m	3 x 1.50	□□□□	Flow Pack	10 CE
93305	5 m	3 x 1.50	■ ■ ■ ■	Flow Pack	10 CE
93290	10 m	3 x 1.50	□□□□	Flow Pack	10 CE
93300	10 m	3 x 1.50	■ ■ ■ ■	Flow Pack	10 CE
93291	25 m	3 x 1.50	□□□□	Flow Pack	5 CE
93301	25 m	3 x 1.50	■ ■ ■ ■	Flow Pack	5 CE



93251



93281

■ FROR 450/750V flame retardant cable

Code	Length	Cable mm ²	Colour	Packaging	No. pcs.
93315	5 m	3 x 2.50	■ ■ ■ ■	Flow Pack	10 CE
93310	10 m	3 x 2.50	■ ■ ■ ■	Flow Pack	5 CE
93311	25 m	3 x 2.50	■ ■ ■ ■	Flow Pack	5 CE
93365	5 m	3 x 1.50	■ ■ ■ ■	Flow Pack	10 CE
93360	10 m	3 x 1.50	■ ■ ■ ■	Flow Pack	5 CE
93361	25 m	3 x 1.50	■ ■ ■ ■	Flow Pack	5 CE



93315

2010
2011

SELF-SERVICE CABLES



93355



21245



31511



93800-10



93820-10



93840-10



93860-10

■ Extra-flexible cable

Code	Length	Cable mm ²	Colour	Packaging	No. pcs.
93325	5 m	2 x 1.50	■■■■	Flow Pack	5 CE
93320	10 m	2 x 1.50	■■■■	Flow Pack	5 CE
93321	25 m	2 x 1.50	■■■■	Flow Pack	5 CE
93335	5 m	3 x 1.00	■■■■	Flow Pack	5 CE
93330	10 m	3 x 1.00	■■■■	Flow Pack	5 CE
93331	25 m	3 x 1.00	■■■■	Flow Pack	5 CE
93345	5 m	3 x 1.50	■■■■	Flow Pack	5 CE
93340	10 m	3 x 1.50	■■■■	Flow Pack	5 CE
93341	25 m	3 x 1.50	■■■■	Flow Pack	5 CE
93355	5 m	3 x 2.50	■■■■	Flow Pack	5 CE
93350	10 m	3 x 2.50	■■■■	Flow Pack	5 CE
93351	25 m	3 x 2.50	■■■■	Flow Pack	5 CE

■ Telephone cable in coils

Code	Length	Description	Colour	Packaging	No. pcs.
21241	10 m	1CP+E	□□□□	Flow Pack	12
21242	25 m	1CP+E	□□□□	Flow Pack	12
21243	10 m	2CP+E	□□□□	Flow Pack	12
21244	25 m	2CP+E	□□□□	Flow Pack	12
21245	10 m	Flat with 4 conductors	□□□□	Flow Pack	12
21246	25 m	Flat with 4 conductors	□□□□	Flow Pack	12

■ 75 Ohm TV coaxial cable

Code	Length	Use	Sheath	Colour	Packaging	No. pcs.
31511	10 m	indoor	∅ 5.0 mm	□□□□	Flow Pack	10
31512	25 m	indoor	∅ 6.2 mm	□□□□	Flow Pack	10
31515	10 m	outdoor	∅ 6.6 mm	□□□□	Flow Pack	10
31516	25 m	outdoor	∅ 6.6 mm	□□□□	Flow Pack	10

SKEIN SILK BRAIDED CABLE

NEW

Code	Length	Cable mm ²	Colour	Packaging	No. pcs.
93800-10	10 m	2x0.50	□□□□	Flow pack	12 CE
93820-10	10 m	2x0.50	□□□□	Flow pack	12 CE
93840-10	10 m	2x0.50	■■■■	Flow pack	12 CE
93860-10	10 m	2x0.50	■■■■	Flow pack	12 CE

Code	Length	Cable mm ²	Colour	Packaging	No. pcs.
93806-10	10 m	3x0.75	□□□□	Flow pack	12 CE
93826-10	10 m	3x0.75	□□□□	Flow pack	12 CE
93846-10	10 m	3x0.75	■■■■	Flow pack	12 CE
93866-10	10 m	3x0.75	■■■■	Flow pack	12 CE

Code	Length	Cable mm ²	Colour	Packaging	No. pcs.
93808-10	10 m	3x1.50	□□□□	Flow pack	12 CE
93828-10	10 m	3x1.50	□□□□	Flow pack	12 CE
93848-10	10 m	3x1.50	■■■■	Flow pack	12 CE
93868-10	10 m	3x1.50	■■■■	Flow pack	12 CE



ELECTRICAL
COMPONENTS
FACTORY

TELEPHONE AND NETWORKING ACCESSORIES

- Opera series plates and boxes
- Keystone Jack for wall plates
- Work area accessories
- Tools
- Lamp-holder



Series plates and boxes

OPERA

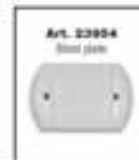
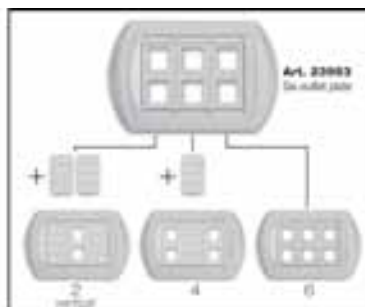
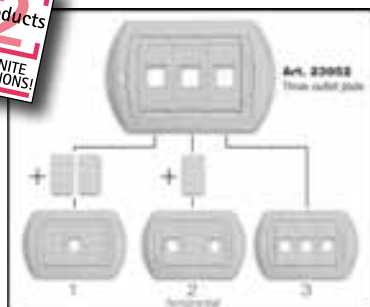
New plates and boxes for the composition of the user termination point on a structured wiring system.

The new Opera series explores the theme of daily living and describes a new concept of living work spaces.

New forms and solutions interpret the theme of contemporary design, blending aesthetic and functional requirements.

Opera series:
concept and style for your workspace!

2
products
INFINITE
SOLUTIONS!

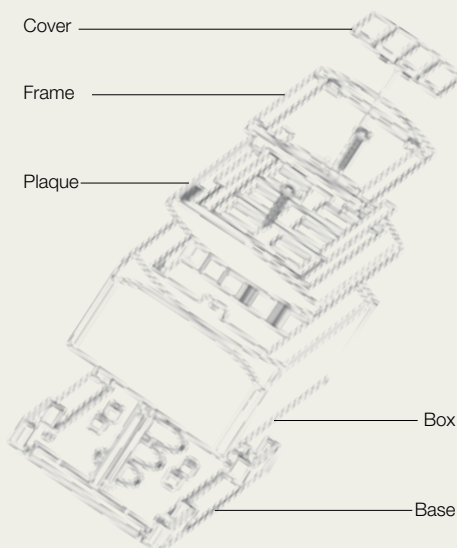


OPERA SERIES PLATES AND BOXES

NEW

▼ CARATTERISTICHE GENERALI

- New series of Opera series plates and boxes for the composition of the user termination point on a structured wiring system;
- Built from highly shock and heat resistant technical polymer;
- Plates compatible with type 503 boxes;
- Complete with white, label-holding frame to encourage immediate recognition of the access point type;
- The specific standard fitting allows for the direct insertion of any keystone type socket: RJ45, RJ11, RJ12, TV sockets, SAT sockets and bushing for optic fibres;
- With the socket cover, the version can be quickly transformed from 3 and 6 holes to a termination point with 1 to 3 holes or 4 to 6 holes.



■ Universal self-bearing plates for flush-mounted boxes

Code	Description	Colour	Packaging	No. pcs.
23952	Universal self-bearing plate with 3 outlets for flush-mounted boxes		Flow Pack 10 pcs.	10
23953	Universal self-bearing plate with 6 outlets for flush-mounted boxes		Flow Pack 10 pcs.	10
23954	Universal self-bearing blind wall plate for flush-mounted boxes		Flow Pack 10 pcs.	10

■ Socket lid for universal self-bearing plates

Code	Description	Colour	Packaging	No. pcs.
23956	Socket lid for plates part num. 23952 and 23953		Box	30

■ Box for outside use for rectangular plates

Code	Description	Colour	Packaging	No. pcs.
23955	Box for outdoor use for rectangular plates		Box	10



23952



23953



23954



23956



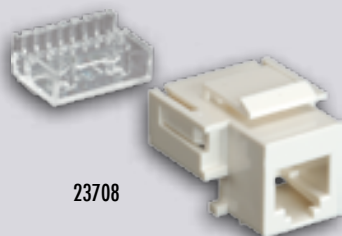
23955

2010
2011

OPERA SERIES PLATES AND BOXES

KEYSTONE JACK FOR WALL PLATES

■ 6/6c. RJ12 (Keystone jack) sockets Cat. 3



23708

Code	Description	Colour	Packaging	No. pcs.
23708	Horizontal 6/6c. RJ12 unshielded socket Cat. 3 - crimping without tools	□□□□	Bag	10
23709	Horizontal 6/6c. RJ12 unshielded socket Cat. 3 - crimping without tools	■ ■ ■ ■	Bag	10

■ 8/8c. RJ45 (Keystone jack) sockets Cat. 5e



Code	Description	Colour	Packaging	No. pcs.
23704	Horizontal 8/8c. RJ45 unshielded cat 5e socket outlet	■ ■ ■ ■	Bag	10

WORK AREA ACCESSORIES

▼ GENERAL SPECIFICATIONS

These allow for connection in the utility points of connectors RJ45 to the plates of the most famous brand electrical materials on the market.

■ Adaptors for fixing on plates and supports

Code	Description	Colour	Packaging	No. pcs.
23925	Adaptor for fixing on BTICINO Axolute plates and supports	■ ■ ■ ■	Bag 10pcs	10
23926	Adaptor for fixing on BTICINO Axolute plates and supports	■ ■ ■ ■	Bag 10pcs	10
23927	Adaptor for fixing on Bticino MATIX plates and supports	□ □ □ □	Bag 10pcs	10
23928	Adaptor for fixing on Bticino LIVING Magic TT plates and supports	□ □ □ □	Bag 10pcs	10
23929	Adaptor for fixing on Bticino LIVING Light Tech plates and supports	■ ■ ■ ■	Bag 10pcs	10
23930	Adaptor for fixing on Gewiss PLAYBUS plates and supports	■ ■ ■ ■	Box 10pcs	10
23931	Adaptor for fixing on Bticino LIVING plates and supports	■ ■ ■ ■	Bag 10pcs	10
23932	Adaptor for fixing on Bticino LIVING INTERNATIONAL plates and supports	■ ■ ■ ■	Bag 10pcs	10
23933	Adaptor for fixing on Vimar IDEA plates and supports	■ ■ ■ ■	Bag 10pcs	10
23934	Adaptor for fixing on Vimar IDEA plates and supports	□ □ □ □	Bag 10pcs	10
23935	Adaptor for fixing on BTICINO Magic plates and supports	□ □ □ □	Bag 10pcs	10
23936	Adaptor for fixing on BTICINO Light plates and supports	□ □ □ □	Bag 10pcs	10
23937	Adaptor for fixing on Gewiss SYSTEM plates and supports	□ □ □ □	Bag 10pcs	10
23938	Adaptor for fixing on Gewiss SYSTEM plates and supports	■ ■ ■ ■	Bag 10pcs	10
23939	Adaptor for fixing on Vimar PLANA plates and supports	□ □ □ □	Bag 10pcs	10



23930

23931

23932

23933

23935

23937

RELATED TOOLS



Tools

Code	Description	Packaging	No. pcs.
22311	Plug clamp pliers 4-6-8 c.	Blister	1



22311

Code	Description	Packaging	No. pcs.
22312	Metal plug clamp pliers 6-8 c. professional mod.	Blister	1

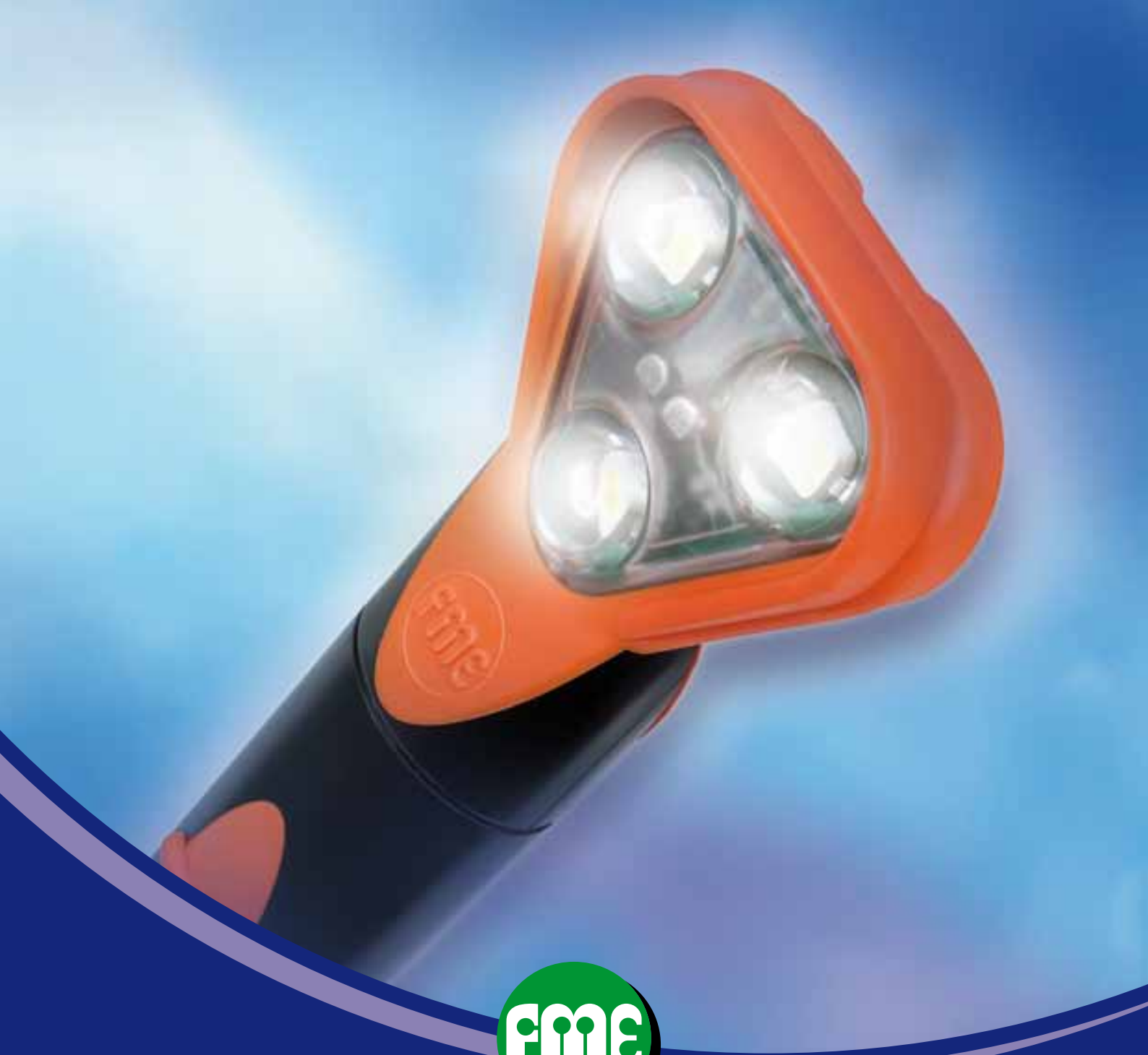


22312

Code	Description	Packaging	No. pcs.
23990	Metal plug click clamp pliers 4-6-8 c. Professional, for structured wiring	Blister	1



23990



ELECTRICAL
COMPONENTS
FACTORY

LIGHTING SERIES

- Free LED lights
- Hand lamps
- Panda ceiling light fixture
- Multipurpose halogen floodlights
- Lamp-holder



LIGHTING Series

Hand lamp with high performance LEDs

freeled

FREELED is a lamp featuring high performance LEDs, the result of in-depth work to propose an innovative, unique product.

The new FREELED lamp has been designed to meet all your professional needs. Design, materials, resistance and duration have been designed for use in extreme conditions.



High technology lighting



Light source with 3 extremely high-performing powerful white light LEDs, equating to a 60W incandescent light bulb. White light helps identify small objects and different colours. Light 500 lux, light cone 65° at a distance of 0.5 m. LED guaranteed for 50,000 hours use.

Innovative design



Tapered design to access the least accessible areas such as parts of a car. Non-slip grip for a safe grip even when wearing gloves. Practical, functional adjustable hideaway hook.



3 hours independent operation



The internal battery will run for 3 hours without being charged. The lamp is equipped with a battery charger/power supply with a LED to warn of voltage presence and 10 metres of lead. It can also be used whilst being charged. Charging takes 2 hours with the lamp off. The battery does not suffer partial charges or create shadow memory.

Robust and hard-wearing



Excellent resistance to impact, tread and agents such as oils and solvents. The LEDs do not heat and all burns on flammable surfaces or to people are therefore avoided. Rubber covered for greater protection against being dropped or accidental impacts.

FREE LED LAMP



▼ TECHNICAL CHARACTERISTICS

- Built in compliance with standard EN60598-2-8;
- Rechargeable portable powerful LED lamp with power supply and 10 m lead;
- Lamp height 258 mm, weight 340 g;
- ON/OFF button;
- LED class 2 according to EN60825 - 1:1994 - A1:2002 - A2:2001
- White light $P_{max} \leq 1\text{mW}$;
- Light: 500lux, cone 65° at a distance of 0.5m;
- Power supply: Input 230V ~ /50Hz with Euro plug 2.5A;
Output 1.5V max 8V \equiv ;
- Batteries: 3.6V 2200mAh Ni-Mh.

▼ USE

- Approx. 3 hrs continuous independent operation;
- Recharges completely in approximately 2 hrs (4 hrs if in use);
- Light source consisting of 3 extremely high-performing powerful white light LEDs, comparable to a 60W incandescent light bulb;
- As they are filament-free, the LEDs allow for excellent shock resistance;
- Very low consumption;
- LEDs guaranteed to work for 50,000 hours;
- Offered with rubber cover for greater grip and protection against accidental dropping;
- Resistant to agents such as oils and solvents;
- Resistant to tread;
- The white light helps identify small objects and different colours;
- Tapered design to enter inaccessible areas (e.g. car parts);
- The LEDs emit very little heat, meaning that all possible burns on flammable surfaces and/or of people are avoided;
- Supplied with a hideaway hook to avoid accidental catching.

■ Free Led lamp

Item	Power lead	Section mm ²	Packaging	No. pcs.
62560	10 m	2 x 0,50	Box	3

■ Spare parts for Free Led lamp

Code	Description	Colour	Packaging	No. pcs.
62561	Battery charger with 10m cable for FREELED		Bag	1

62562	Handle with battery pack for FREELED		Bag	1
-------	--------------------------------------	--	-----	---



62560



62561



62562

HAND LAMPS

▼ GENERAL FEATURES

- Built in compliance with standards CEI 34-21 and CEI 34-34 or EN 60598-2-8;
- Fully insulated, non-hygroscopic, highly shock resistant thermoplastic grip;
- Powered parts are fully protected and separated;
- Cage that opens to allow for bulb change;
- Balance switch;
- EDISON E27 type bulb attachment;
- Double insulation cable with cable clamp inside;
- Pressure cast PVC 2P 10A plug with protected pins;
- Protection class IP20;
- Class: II^a.

▼ WARNINGS

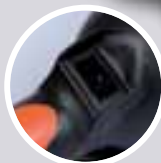
- Do not use bulbs with powers greater than 60W;
- Portable lamps used in wet or very damp places and which come into contact with large metal masses, must be powered at voltages of no more than 25V towards earth and fitted with glass casing.
If the current is supplied by a transformer, this must have separately insulated primary and secondary coils;
- Use the lamp, keeping the lighting body facing upwards.



"Easy Grip" system grip



61050



■ 'Aladin' series metal cage and reflector MAX 60W



Code	Cable	Cable mm ²	Packaging	No. pcs.	
61050	5 m	2 x 0,75	Flow pack	20	CE RoHS
61060	10 m	2 x 0,75	Flow pack	20	CE RoHS

LIGHTING SERIES

2010
2011



62541



■ Aluminium reflector Polycarbonate protective shell MAX 60W



Code	Cable	Cable mm ²	Packaging	No. pcs.	
62530	—	—	Flow pack	10	CE RoHS
62531	5 m	2 x 0,75	Flow pack	10	CE RoHS
62541	10 m	2 x 0,75	Flow pack	10	CE RoHS

IT Can also be used with low consumption fluorescent electronic bulbs



62551

■ 8W neon fluorescent tube

Code	Cable	Cable mm ²	Packaging	No. pcs.	
62551	5 m	2 x 0,75	Flow pack	25	CE RoHS



ELECTRICAL
COMPONENTS
FACTORY

PANDA LIGHT FIXTURES

- 100W light fixtures MAXI
- 60W light fixtures MIDI



Light fixtures

Panda

Lights for every occasion. The Panda series presents a wide range of wall or ceiling light fixtures that stand out for their design, innovative technical solutions and versatility. Designed for all occasions where one or more light points are required, they can be used in both domestic and industrial settings. The protection class IP65 allows for outdoor use too. Available as a round or oval version and in the new Panda Maxi series, an 'eyelid' shade can be applied that allows you to direct the beam of light wherever it is required, increasing efficiency. No need for tools to close.

TECHNICAL CHARACTERISTICS

IP65

PROTECTION CLASS
Dual insulation product with protection class IP65.

STANDARDS OF REFERENCE
Built in accordance with standards EN 60598-1 and EN 60598-2-1.

FIXING
Prepared for fastening onto flush-mounting boxes 503 or with screws or bands.

SATELLITE
Highly reflective aluminium satellite dish.

UV RAY RESISTANCE
Built from UV ray resistant technical polymer that guarantees a lasting colour over time.

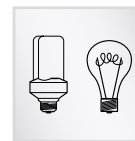
LAMP-HOLDER E27
Can be used with incandescent bulbs (max. 100W) or low consumption fluorescent bulbs (max. PL25 length 165 mm).

INPUTS
3 push-through peripheral cable inputs for cable glands PG9 or PG13.5; 1 input on the base for cable gland.

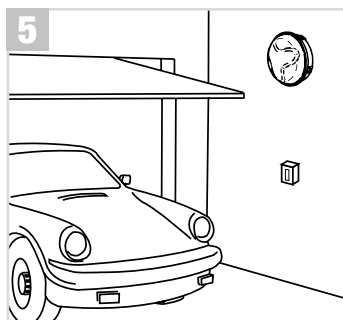
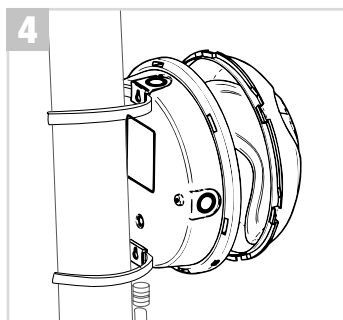
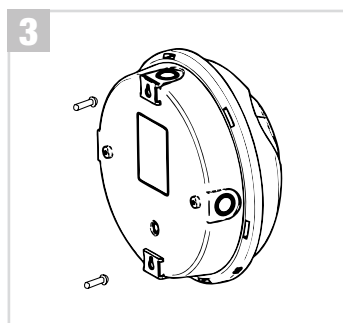
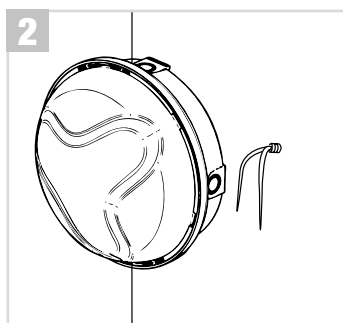
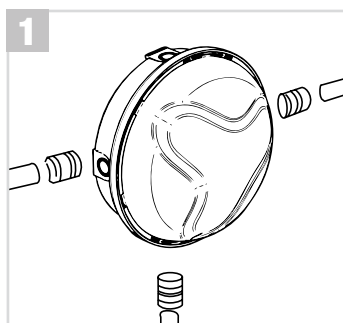
SELF-EXTINGUISHING
Built from self-extinguishing, fireproof material in accordance with standards IEC 695-2-1 (glow-wire test).

IK 08
Resistance to mechanical impacts IK 08 (for Panda Midi version)

COLOURS
Available with various different colour bases.



POSSIBLE USES



1 Channelling system with 3 push-through peripheral cable inputs for cable glands PG9 or PG13.5; 1 input on the base for cable gland.

2 Fixing on rectangular flush-mounting box.

3 Fixing to hook (screw, nail).

4 Fixing onto pole by means of bands.

5 Can be used both indoors and out.

6 Can be positioned both on the wall and ceiling.



"PANDA MAXI" LIGHT FIXTURE SERIES

▼ GENERAL FEATURES

- Built with reference to standards EN 60598-1 and EN 605981-2-1 in thermoplastic material;
- E27 lamp-holder for incandescent bulbs (max. 100W) or low consumption fluorescent bulbs (max. PL25, length 165 mm);
- 3 peripheral cable inputs + 1 on base;
- Complete with seals, insulating sheath, cable gland, diffuser plate, screws, bulb socket and instruction sheet;
- Doubly insulated product;
- Resistance to mechanical impacts: Round fixture IK03 – Oval fixture IK05.

▼ WARNINGS

- Do not install with the bulb holder facing upwards.



62740



62741



62742



62745

62746



62750



62751



62752



62755

62756

■ Oval "Panda Maxi" light fixtures



MAX 100W

Code	Description	Eyelid/base colour	Shell colour	Packaging	No. pcs.	CE RoHS
62740	Oval ceiling light fixture IP65 - 100W - E27 See-through polycarbonate dome	□□□□	□□□□	Shrink film	5	CE RoHS
62741	Oval ceiling light fixture IP65 - 100W - E27 See-through polycarbonate dome	■ ■ ■ ■	□□□□	Shrink film	5	CE RoHS
62742	Oval ceiling light fixture IP65 - 100W - E27 See-through polycarbonate dome	■ ■ ■ ■ Grey RAL 7035	□□□□	Termoretraibile	5	CE RoHS

■ Oval "Panda Maxi" light fixture "eyelid" cover

Code	Description	Colour	Packaging	No. pcs.	CE
62745	Horizontal cover-lid for oval ceiling light fixture 100W	□□□□	Shrink film	5	CE
62746	Cover-lid for oval ceiling light fixture 100W	■ ■ ■ ■	Shrink film	5	CE

■ Round "Panda Maxi" light fixtures



MAX 100W

Code	Description	Base/eyelid colour	Shell colour	Packaging	No. pcs.	CE RoHS
62750	Round ceiling light fixture IP65 - 100W - E27 See-through polycarbonate dome	□□□□	□□□□	Shrink film	5	CE RoHS
62751	Round ceiling light fixture IP65 - 100W - E27 See-through polycarbonate dome	■ ■ ■ ■	□□□□	Shrink film	5	CE RoHS
62752	Round ceiling light fixture IP65 - 100W - E27 See-through polycarbonate dome	■ ■ ■ ■ Grey RAL 7035	□□□□	Shrink film	5	CE RoHS

■ Round "Panda Maxi" light fixture "eyelid" cover

Code	Description	Colour	Packaging	No. pcs.	CE
62755	Cover-lid for round ceiling light fixture 100W	□□□□	Shrink film	5	CE
62756	Cover-lid for round ceiling light fixture 100W	■ ■ ■ ■	Shrink film	5	CE

"PANDA MIDI" LIGHT FIXTURES SERIES



▼ GENERAL FEATURES

- Costruite in riferimento alle norme EN 60598-1 ed EN 60598-2-1 in materiale termoplastico;
- E27 lamp-holder for incandescent bulbs (max. 60W) or low consumption fluorescent bulbs (max. PL11, length 145 mm);
- 3 peripheral cable inputs + 1 on base;
- Complete with seals, insulating sheath, cable gland, diffuser plate, screws, bulb socket and instruction sheet;
- Doubly insulated product;
- Resistance to mechanical impacts: IK08.

▼ WARNINGS

- Do not install with the bulb holder facing upwards.

■ "Panda Midi" oval light fixtures



MAX 60W

Code	Description	Base colour	Shell colour	Packaging	No. pcs.	
62720	Oval ceiling light fixture 215x125x110mm - IP65 - 60W - E27 See-through polycarbonate dome	□□□□	□□□□	Shrink film	10	CE RoHS
62721	Oval ceiling light fixture 215x125x110mm - IP65 - 60W - E27 See-through polycarbonate dome	■ ■ ■ ■	□□□□	Shrink film	10	CE RoHS
62722	Oval ceiling light fixture 215x125x110mm - IP65 - 60W - E27 See-through polycarbonate dome	■ ■ ■ ■ Grigio RAL 7035	□□□□	Shrink film	10	CE RoHS
62723	Oval ceiling light fixture for building-site signalling 215x125x110mm - IP65 - 60W - E27 RED polycarbonate dome equipped with re-usable wiring clamps for fixing + PG 13,5	■ ■ ■ ■ Grigio RAL 7035	■ ■ ■ ■	Shrink film	10	CE RoHS

■ "Panda Midi" round light fixtures



MAX 60W

Code	Description	Base colour	Shell colour	Packaging	No. pcs.	
62730	Round ceiling light fixture Ø 215mm - IP65 - 60W - E27 See-through polycarbonate dome	□□□□	□□□□	Shrink film	10	CE RoHS
62731	Round ceiling light fixture Ø 215mm - IP65 - 60W - E27 See-through polycarbonate dome	■ ■ ■ ■	□□□□	Shrink film	10	CE RoHS
62732	Round ceiling light fixture Ø 215mm - IP65 - 60W - E27 See-through polycarbonate dome	■ ■ ■ ■ Grigio RAL 7035	□□□□	Shrink film	10	CE RoHS



62720



62721



62722



62723



62730



62731



62732

2010
2011

LIGHTING SERIES

PRE-WIRED LOOSE LAMP-HOLDERS



62814

Code	Description	Colour	Packaging	No. pcs.	
62814	Smooth E 27 lamp-holder with 20cm of cable 2x075 and fast hooking terminal blocks	■ ■ ■ ■ ■	Bag 6pcs	60	CE

LAMP-HOLDERS



62801

Code	Description	Colour	Packaging	No. pcs.	
62800	Lamp-holder E 27 - smooth	□ □ □ □ □	100 pcs.	600	CE
62801	Lamp-holder E 27 - smooth	■ ■ ■ ■ ■	100 pcs.	600	CE



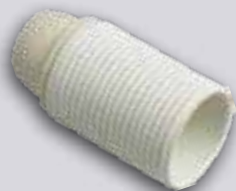
62802

Code	Description	Colour	Packaging	No. pcs.	
62802	Lamp-holder E 14 - smooth	□ □ □ □ □	100 pcs.	800	CE
62803	Lamp-holder E 14 - smooth	■ ■ ■ ■ ■	100 pcs.	800	CE



62811

Code	Description	Colour	Packaging	No. pcs.	
62810	Lamp-holder E 27 - threaded	□ □ □ □ □	50 pcs.	400	CE
62811	Lamp-holder E 27 - threaded	■ ■ ■ ■ ■	50 pcs.	400	CE



62812

Code	Description	Colour	Packaging	No. pcs.	
62812	Lamp-holder E 14 - threaded	□ □ □ □ □	100 pcs.	800	CE
62813	Lamp-holder E 14 - threaded	■ ■ ■ ■ ■	100 pcs.	800	CE



62821

Code	Description	Colour	Packaging	No. pcs.	
62820	Ring nut for lamp-holder E 27	□ □ □ □ □	100 pcs.	400	CE
62821	Ring nut for lamp-holder E 27	■ ■ ■ ■ ■	100 pcs.	400	CE
62822	Ring nut for lamp-holder E 14	□ □ □ □ □	100 pcs.	400	CE
62823	Ring nut for lamp-holder E 14	■ ■ ■ ■ ■	100 pcs.	400	CE

2010
2011

LAMP-HOLDERS

PLIERS AND CONNECTING FOR BATTERIES



Code	Length	Ampere	Colour	Packaging	No. pcs.
64000	80 mm	40A	■ ■ ■ ■	Bag (25R+25B)	200
64010	110 mm	60A	■ ■ ■ ■	Bag (25R+25B)	200
64020	150 mm	90A	■ ■ ■ ■	Bag (2R+2B)	200
64030	180 mm	120A	■ ■ ■ ■	Bag (2R+2B)	100
64040	200 mm	200A	■ ■ ■ ■	Bag (1R+1B)	50
64050	250 mm	400A	■ ■ ■ ■	Bag (1R+1B)	50

N.B.: The item code refers to a single plier, but the items are only supplied in a red-black pair

Code	Description	Colour	Packaging	No. pcs.
64060	Pair of cables to charge batteries 2,5m sect. 10mm Pliers 120A part num. 64030	■ ■ ■ ■	Carrier bag	10
64070	Pair of cables to charge batteries 3m sect. 16mm Pliers 120A part num. 64030	■ ■ ■ ■	Carrier bag	10
64080	Pair of cables to charge batteries 5m Sect. 25mm Pliers 400A part num. 64050	■ ■ ■ ■	Bag	5



64030



64060

2010
2011

PLIERS AND CONNECTING CABLES FOR BATTERIES

TERMINAL BLOCKS



62902

Code	Description	Colour	Packaging	No. pcs.	
62902	Single insulated terminal block - stick of 10 pcs. for cables of sect. max 2,5mm ²		In bulk	100	CE
67902	Single insulated terminal block - stick of 10 pcs. for cables of sect. max 2,5mm ²		Blister 10pcs	20	CE
62903	Single insulated terminal block - stick of 10 pcs. for cables of sect. max 4,0mm ²		In bulk	100	CE
67903	Single insulated terminal block - stick of 10 pcs. for cables of sect. max 4,0mm ²		Blister 10pcs	20	CE
62904	Single insulated terminal block - stick of 10 pcs. for cables of sect. max 6,0mm ²		In bulk	100	CE
67904	Single insulated terminal block - stick of 10 pcs. for cables of sect. max 6,0mm ²		Blister 10pcs	20	CE
62905	Single insulated terminal block - stick of 10 pcs. for cables of sect. max 10mm ²		In bulk	100	CE
67905	Single insulated terminal block - stick of 5 pcs. for cables of sect. max 10mm ²		Blister 5pcs	20	CE
62906	Single insulated terminal block - stick of 10 pcs. for cables of sect. max 16mm ²		In bulk	50	CE

2010
2011

TERMINAL BLOCKS - NYLON THREAD DRAWING PROBE



62912

Code	Description	Colour	Packaging	No. pcs.	
62912	12-pole terminal block board for cables max. 2,5mm ²		In bulk	50	CE
67912	12-pole terminal block board for cables max. 2,5mm ²		Blister	20	CE
62913	12-pole terminal block board for cables max. 4,0mm ²		In bulk	50	CE
67913	12-pole terminal block board for cables max. 4,0mm ²		Blister	20	CE
62914	12-pole terminal block board for cables max. 6,0mm ²		In bulk	50	CE
67914	12-pole terminal block board for cables max. 6,0mm ²		Blister	20	CE
62915	12-pole terminal block board for cables max. 16mm ²		In bulk	50	CE
62916	12-pole terminal block board for cables max. 25mm ²		In bulk	50	CE

NYLON THREAD DRAWING PROBE



63302

Flexible steel test prod with brass head

Code	Size	Diameter	Packaging	No. pcs.
63300	5 m	Ø 3 mm	Bag	10
63301	10 m	Ø 3 mm	Bag	10
63302	15 m	Ø 3 mm	Bag	10
63303	20 m	Ø 3 mm	Bag	10

WIRING CLAMPS PA 6.6



Code	Length. mm	Width. mm	Clamping Ø	Colour	Packaging	No. pcs.	
63000	80	2.4	15 mm	□□□□	100 pcs.	1000	€
63001	100	2.5	22 mm	□□□□	100 pcs.	1000	€
63002	140	2.5	33 mm	□□□□	100 pcs.	1000	€
63003	160	2.5	40 mm	□□□□	100 pcs.	1000	€
63004	200	2.5	53 mm	□□□□	100 pcs.	1000	€
63005	140	3.6	33 mm	□□□□	100 pz.	1000	€
68005	140	3.6	33 mm	□□□□	Blister 20 pcs.	20	€
63006	200	3.6	53 mm	□□□□	100 pcs.	1000	€
68006	200	3.6	53 mm	□□□□	Blister 20 pcs.	20	€
63007	290	3.6	76 mm	□□□□	100 pcs.	1000	€
63008	360	3.6	102 mm	□□□□	100 pcs.	1000	€
63011	160	4.8	38 mm	□□□□	100 pcs.	1000	€
63013	250	4.8	60 mm	□□□□	100 pcs.	1000	€
63014	290	4.8	76 mm	□□□□	100 pcs.	1000	€
63015	360	4.8	102 mm	□□□□	100 pcs.	1000	€
63017	430	4.8	110 mm	□□□□	100 pcs.	1000	€
63018	200	7.6	50 mm	□□□□	100 pcs.	1000	€
63020	250	7.6	65 mm	□□□□	100 pcs.	1000	€
63022	360	7.6	102 mm	□□□□	100 pcs.	1000	€
63029	780	9.0	235 mm	□□□□	100 pcs.	1000	€

Code	Length. mm	Width. mm	Clamping Ø	Colour	Packaging	No. pcs.	
63100	80	2.4	15 mm	■ ■ ■ ■	100 pcs.	1000	€
63101	100	2.5	22 mm	■ ■ ■ ■	100 pcs.	1000	€
63102	140	2.5	33 mm	■ ■ ■ ■	100 pcs.	1000	€
63103	160	2.5	40 mm	■ ■ ■ ■	100 pcs.	1000	€
63104	200	2.5	53 mm	■ ■ ■ ■	100 pcs.	1000	€
63105	140	3.6	33 mm	■ ■ ■ ■	100 pcs.	1000	€
63106	200	3.6	53 mm	■ ■ ■ ■	100 pcs.	1000	€
63107	290	3.6	76 mm	■ ■ ■ ■	100 pcs.	1000	€
63108	360	3.6	102 mm	■ ■ ■ ■	100 pcs.	1000	€
63111	160	4.8	38 mm	■ ■ ■ ■	100 pcs.	1000	€
63113	250	4.8	60 mm	■ ■ ■ ■	100 pcs.	1000	€
63114	290	4.8	76 mm	■ ■ ■ ■	100 pcs.	1000	€
63115	360	4.8	102 mm	■ ■ ■ ■	100 pcs.	1000	€
63117	430	4.8	110 mm	■ ■ ■ ■	100 pcs.	1000	€
63118	200	7.6	50 mm	■ ■ ■ ■	100 pcs.	1000	€
63120	250	7.6	65 mm	■ ■ ■ ■	100 pcs.	1000	€
63122	360	7.6	102 mm	■ ■ ■ ■	100 pcs.	1000	€
63129	780	9.0	235 mm	■ ■ ■ ■	100 pcs.	1000	€



2010
2011



WIRING CLAMPS



■ Wiring collars in PA 12

Code	Length mm	Width mm	Clamping Ø	Colour	Packaging	No. pcs.	
63153	180	9,0	45 mm	■ ■ ■ ■ ■	100 pcs.	1000	CE
63154	260	9,0	70 mm	■ ■ ■ ■ ■	100 pcs.	1000	CE
63155	360	9,0	95 mm	■ ■ ■ ■ ■	100 pcs.	1000	CE



WIRING ACCESSORIES



■ Adhesive two-way board

Code	Description	Colour	Packaging	No. pcs.	
63080	Adhesive two-way board 19 x 19mm - hole width 4mm	□ □ □ □ □	100 pcs.	1000	CE
63081	Adhesive two-way board 19 x 19mm - hole width 4mm	■ ■ ■ ■ ■	100 pcs.	1000	CE
63082	Adhesive two-way board 27 x 27mm - hole width 6mm	□ □ □ □ □	100 pcs.	1000	CE
63083	Adhesive two-way board 27 x 27mm - hole width 6mm	■ ■ ■ ■ ■	100 pcs.	1000	CE



■ Professional tools for wiring clamps

Code	Description	Packaging	No. pcs.	
63090	Professional metal pliers for clamps max 9mm	Box	1	CE
63091	Professional metal pliers with preloading for clamps max 5mm	Box	1	CE



CABLE CLIPS WITH NAIL



Code	Description	Colour	Packaging	No. pcs.
64400	Cable clip with nail - for cables with Ø 3/4mm	□□□□	Box	100
64402	Cable clip with nail - for cables with Ø 5/6mm	□□□□	Box	100
69402	Cable clip with nail - for cables with Ø 5/6mm	□□□□	Blister 50 pcs.	20
64404	Cable clip with nail - for cables with Ø 6/7mm	□□□□	Box	100
64406	Cable clip with nail - for cables with Ø 7/8mm	□□□□	Box	100
69406	Cable clip with nail - for cables with Ø 7/8mm	□□□□	Blister 50 pcs.	20
64408	Cable clip with nail - for cables with Ø 9/10mm	□□□□	Box	100
69408	Cable clip with nail - for cables with Ø 9/10mm	□□□□	Blister 50 pcs.	20

Code	Description	Colour	Packaging	No. pcs.
64450	Cable clip with nail - for cables with Ø 3/4mm	■ ■ ■ ■	Box	100
64452	Cable clip with nail - for cables with Ø 5/6mm	■ ■ ■ ■	Box	100
64454	Cable clip with nail - for cables with Ø 6/7mm	■ ■ ■ ■	Box	100
64456	Cable clip with nail - for cables with Ø 7/8mm	■ ■ ■ ■	Box	100
64458	Cable clip with nail - for cables with Ø 9/10mm	■ ■ ■ ■	Box	100
64460	Cable clip with nail - for cables with Ø 13/14mm	■ ■ ■ ■	Box	100
64462	Cable clip with nail - for cables with Ø 15/16mm	■ ■ ■ ■	Box	100
64464	Cable clip with nail - for cables with Ø 19/20mm	■ ■ ■ ■	Box	100

Code	Description	Colour	Packaging	No. pcs.
64480	Cable clip with nail - for flat cables 6/3mm	□□□□	Box	100
69480	Cable clip with nail - for flat cables 6/3mm	□□□□	Blister 50 pcs.	20



64406



64456



64480

2010
2011

CABLE CLIPS WITH NAIL



99991



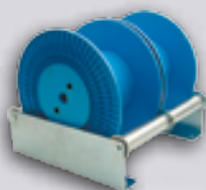
99990



99917



99994



99995



99993

■ Displays



Code	Description	Packaging	No. pcs.
99991	Empty exhibitor with 50 hooks of 30cm length base with basket - cm 76L x 200H x 43D	Box	1
99996	Shelf for exhibitor part num. 99991	Box	1
99990	Empty turnaround desktop display with two display sides equipped with 32 hooks of 16cm length - cm 33L x 86H x 28D	Box	1
99917	Desktop display kit – PROMOTIONAL item with plugs, sockets and Multi-sockets for domestic use in blisters ready to be displayed (Product display diagram supplied on request)	Box	1
99994	Display for EOLO board	In bulk	1

■ Cable winder



Code	Description	Packaging	No. pcs.
99995	Cable dispenser - 500 x 480 x 170 / 425mm - for 2 reels Ø 400mm	Box	1

■ Pall Box



Code	Description	Packaging	No. pcs.
99993	Display mm 850H x 600L x 400D - palbox with FME brand	In bulk	1

Expo blister

HANDY & ADVANTAGEOUS!

FANTON

FANTON

FANTON

FANTON



FANTON[®]

CAVI E COMPONENTI ELETTRICI

With the modular panelling system, you can create a highly effective display area for efficient sales.

N.B.: promotional offers of display units pre-prepared with blister packed articles are available. Ask your agent for details.



FABBRICA
MATERIALE
ELETTRICO

TECHNICAL SPECIFICATIONS AND SIZE CHARTS

TECHNICAL SPECIFICATIONS

■ GENERAL WARNING

The guarantee on products manufactured by Fanton S.p.A. ensures that they can be considered safe and reliable over time, and with the exception of the adoption of further requirements, they are manufactured according to the state of the art and in compliance with laws in force (Law no. 186 dated 01/03/68 and Law no. 791 dated 18/10/77). This means that, as long as they are properly used, these products will not cause damage or injury to people, animals and objects.

The products are guaranteed as long as they were purchased in their original packaging: on the contrary, the reseller is obliged to provide information and possible warnings for their proper use and installation.

Great care is necessary when handling packages that need to be stored in dry environments.

Fanton S.p.A. shall not be held liable for products that have not been sold in their original packaging.

■ STATE OF THE ART

The range of products presented in this catalogue, for production and trading purposes, are made according to the state of the art, so as to avoid damage or injury to people, animals and objects as long as they are properly installed and used.

The notion of "State of the Art" in reference to the specific area of electrical equipment refers to art. 1 of Italian Law 186 of 1 March 1968 (Provisions on the manufacturing of electrical and electronic materials, equipment, machinery and installations) stating that all electrical materials must be designed and manufactured based on the state of the art... Yet the content of this rule is not explained any further.

Only the adoption of Directive 73/23/EEC (low voltage directive adopted on 19 February 1973) provided a clear explanation to the notion of "State of the Art" in terms of safety (Ann. I) stating that no technical regulation can be imposed as mandatory in reference to manufacturing and placing on the market a product, as long as the technical solutions comply to all the essential safety prescriptions of Ann. I.

In this case, it is up to the manufacturer to prove to the Competent Authorities that all the directive's essential requirements have been fulfilled by providing technical documentation.

This means that customers can only feel safe if they purchase products that have been manufactured in compliance with the laws in force.

■ CORPORATE CERTIFICATION

Fanton spa manufacture their products complying to quality criteria, constantly monitoring production and trading processes in compliance with ISO 9001:2008 standards. This has been acknowledged and awarded by CSQ (Quality System Certification Institute) that is a member of CISQ which is in turn recognised by IQNet (International Network for Quality System Assessment and Certification).



■ REGULATIONS

The products manufactured by Fanton are tested and recognised by certifying institutions including IMQ - VDE - GS - UTE - etc... whereas the products that are not branded by outside Bodies are tested internally in our laboratory.



IMQ
ITALY



VDE
GERMANY



GS
GERMANY



ÖVE
AUSTRIA



UTE
FRANCE



In compliance
with European norms and
regulations EN-03



NF
FRANCE

■ CE BRAND

The European norms set the safety requirements that manufacturers must comply to when manufacturing a product. These requirements are fulfilled by applying the laws in force (CEI - IEC - CENELEC - etc...).

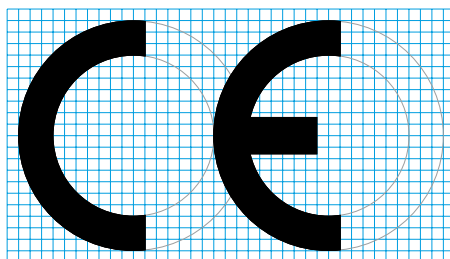
In order to comply with the European directives, since 1 January 1997 Fanton S.p.A. has implemented the Low Voltage Directive 73/23/EEC on all the electrical material included in a voltage range between 50 and 1000V AC and between 75 and 1500 DC and since 1 January 1996 it implements the Directive on Electromagnetic compatibility (EMC) 89/336/EEC to equipment that may generate electromagnetic waves. The products that are not envisaged by the aforementioned Norms can still be used in electrical systems as long as they are set up in compliance with the provisions of Law 46/90.

The conformity to the European Norms is certified by the CE brand placed on the products which is an essential requirement for goods to circulate in the European Community.

The manufacturer must also draw up a Declaration of Conformity for each product that must be exhibited solely to the Competent Monitoring Authorities, thus not addressed to customers/citizens.

The CE brand (the graphical symbol must be no smaller than 5 mm) must be placed on the product or, only if this is not possible, on the package.

In order to make it easier to identify the CE branded products, Fanton S.p.A. states as much in its catalogue alongside each item.



■ RAAE DIRECTIVE

The Directive indicates the measures which should be adopted by each EC member country, on the collection, treatment, recycling and disposal of waste of electrical and electronic equipment set out in the Annex 1A of the Legislative Decree 151/2005. The Directive refers to listed below equipment categories:

- Big electrical appliances;
- Small electrical appliances;
- Network equipment (personal computers –including mouse, keyboards, printers, monitors etc.);
- Consumable equipment (radios, televisions, recorders etc.);
- Lighting equipment;
- Electrical and Electronic equipment (with the sole exception of fixed industrial tools of big dimensions);
- Toys and sport/free time equipment;
- Medical devices (with the exemption of implant and infected devices);
- Monitoring and control equipment;
- Vending machine equipment;
- Vending machines.

■ ROHS DIRECTIVE 2002/95/EC OF THE EUROPEAN PARLIAMENT AND OF THE COUNCIL

The Directive 2002/95/EC, stresses the need to reduce the content of hazardous substances as lead, mercury, cadmium, hexavalent chromium and some flame retardant components in electrical and electronic equipment (polybrominated biphenyls and polybrominated diphenyl ethers).

PRODUCT CATEGORY	DIRECTIVE	PAGE CATALOGUE
Ceiling light fixtures and flood lights	Directive 200/95/EC	67-68
Night pilot lights	Directive 200/95/EC	95
Ceiling light fixtures and hand lamps	Directive 200/95/EC	125-126-127-128-129

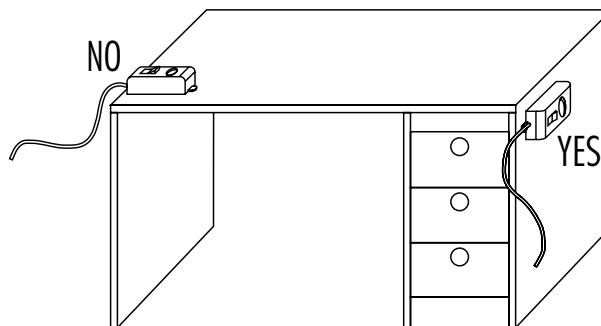
Light equipment and light accessories/replacements are according to the RoHS Directive 2002/95/EC since 1st July 2006.
 Fixed installation equipment (boxes, plates, flush mounting and wall plugs/socket outlets, extensible patch cords, linear patch cords, lamp holders, terminal blocks and wiring clamps), for applications to the listed below equipment categories and which should be under the RoHS Directive, do correspond to Directive 2002/95/EC since 1st July 2006.

1. Big electrical appliances;
2. Small electrical appliances;
3. Network and telecommunication equipment;
4. Consumable equipment;
5. Lighting equipment;
6. Electrical and electronic equipment;
7. Toys and sport/free time equipment;
8. Medical devices;
9. Monitoring and control equipment;
10. Vending machines equipment (boxes, plates, flush mounting and wall plugs/socket outlets, extensible patch cords, l.

■ INSTALLING AND USING THE PRODUCTS

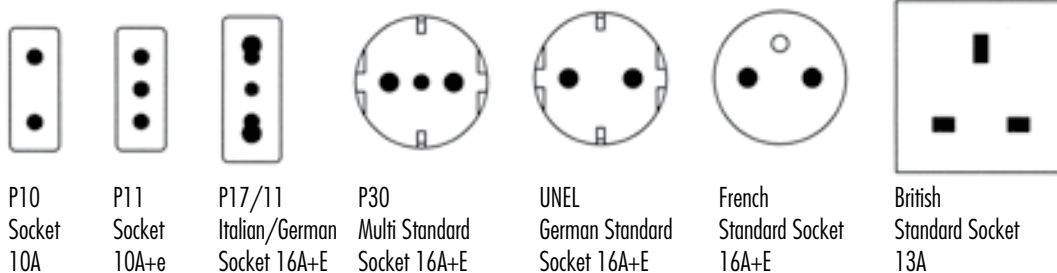
We suggest placing any type of IPXO household socket as shown in the figure, in order to avoid contamination by dust, liquids, etc. . .

Example:



■ HOUSEHOLD PLUGS, SOCKETS AND ADAPTORS

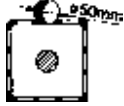
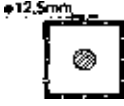
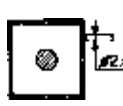

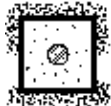

Standard setting:






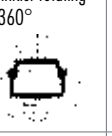
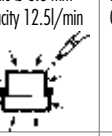
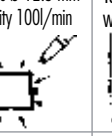
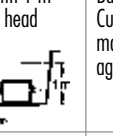
PROTECTION LEVELS

What follows is an explanation of the IP protection levels of the outer cases in compliance with CEI 70-1 (CEI EN 60529). This regulation can be used by referring to just the first two digits (e.g. IP44) or by adding additional letters (e.g. IP34DW).


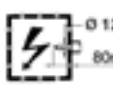
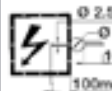

1st defining digit: **protection against entrance of solids.**

Meaning	0	1	2	3	4	5	6
Protection	–	Solids whose minimum size exceeds 50 mm	Solids whose minimum size exceeds 12.5 mm	Solids whose minimum size exceeds a 2.5 mm	Solids whose minimum size exceeds a 1 mm	Protection against dust penetration against entrance of solids	Protection against dust penetration against entrance of solids
Testing medium	–	Ball ø 50 mm 	Ball ø 12.5 mm 	Rigid wire ø 2.5 mm 	Rigid wire ø 1 mm 	Talc circulation chamber 	Talc circulation chamber 
Personal protection against access with		Back of the hand	Finger	Tool (e.g. screwdriver)	Wire (e.g. wire, nails, screws)		
Permitted use	In containers	Closed spaces (accessible to authorised and trained personnel only)	Normal spaces, with coarse objects, fixing on vertical walls	Normal spaces, fixing on vertical walls or inaccessible horizontal tops	Normal spaces, fixing also on inaccessible horizontal tops	Occasionally dusty places	Permanently dusty places

2nd defining digit: **Protection against penetration of water**

Meaning	0	1	2	3	4	5	6	7	8
Protection against penetration of water	–	Vertically falling drips	Drips falling at an angle up to 15° from vertical	Rain up to a 60° angle from vertical	Splashes from all directions	Water jets from all directions	Strong water jets	Temporary immersion	Permanent immersion
Testing medium	–	Spray 	Spray 15° 	Sprinkler from above 	Sprinkler rotating at 360° 	Nozzle ø 6.3 mm Capacity 12.5l/min 	Nozzle ø 12.5 mm Capacity 100l/min 	Tub with 1 m water head 	Based on Customer manufacturer agreements
Permitted use	In dry environments	In damp environments with component placed pre-set vertical position	In damp environments with component placed perfectly vertical	Spaces exposed to rain but not to splashes from below	Spaces exposed to rain and splashes from below (e.g. station with heavy vehicle traffic)	Places subject to washes with average water jets	Place subject to vigorous washes and tides (wharfs)	Places subject to temporary flooding or submersion under snow for long periods of time	Underwater operation

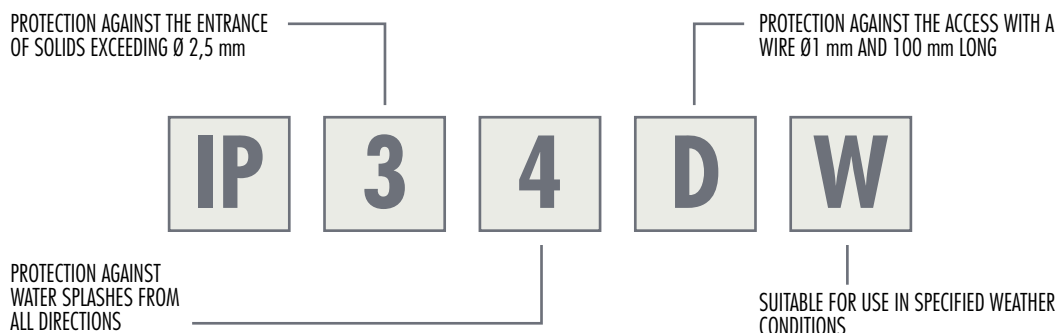
Additional letters

Meaning	A	B	C	D
Personal protection against access with	Back of the hand	Fingers	Small tools	Wires, screws, nails
Testing gauge	Ball ø 50 mm 	Test finger ø 12 mm 	Rigid wire ø 2.5 mm 100 mm long 	Rigid wire ø 1 mm 100 mm long 
Permitted use	Closed spaces (accessible only to authorised personnel)	Spaces accessible also to non-authorised personnel	Spaces where small tools are used (screwdrivers)	Places where wire-like tools are used

Additional letters: **information for protecting material**

H	High voltage equipment
M	Tested against the damaging effects of water penetration when the moving parts of the equipment are activated
S	Tested against the damaging effects of water penetration when the moving parts of the equipment are not activated
W	Suitable for use in specific weather conditions and equipped with additional measures and procedures

■ **EXAMPLE OF THE FULL APPLICATION OF THE IP CODE:**



■ **CHOOSING THE RIGHT IP PROTECTION LEVELS**

Macro-environment	Protection level	Reference standard
• Electrical systems in normal environments		
inaccessible areas (direct contact)	IP2X (IP XXB)	CEI 64-8/4 art.412.2.1
areas that are horizontally accessible	IP4X (IP XXD)	CEI 64-8/4 art. 412.2.2
areas that are horizontally accessible	IPXXB	CEI 64-8/5 comment 526.1
electrical connections in the distribution channels	IP2X and IP4X	CEI 64-8/5 comment 537.5.2
towers resting on the floor with plug sockets with horizontal connection	IP5X	CEI 64-8/5 comment 537.5.2
as above with vertical connection	IPX4	Guide CEI 64-50 art. 5.6.4
• Bathrooms, showers and public toilets		
areas 1 and 2	IPX4	CEI 64-8/7 art. 701.512.2
area 3	IPX1	CEI 64-8/7 art. 701.512.2
Bathrooms, showers and public toilets	IPXXB	CEI 64-8/7 art. 701.411.1,3,7
accessible areas (direct contact)	IPX5	CEI 64-8/7 art. 701.512.2
• Pools		
area 0	IPX8	CEI 64-8/7 art. 702.512.2
area 1	IPX5	CEI 64-8/7 art. 702.512.2
area 2 covered	IPX2	CEI 64-8/7 art. 702.512.2
area 2 open-air	IPX4	CEI 64-8/7 art. 702.512.2
• Camping sites		
plug sockets	IP55	CEI 64-8/7 art. 708.5.4.3
• Construction and demolition		
plug sockets	IP44	CEI 17-13/4 art. 7.2.1.3
electrical boards (ASC)	IP44	CEI 17-13/4 art. 7.2.1.1
• Public lighting systems		
components < 3 m	IP43	CEI 64-7 art. 3.4.2
components ≥ 3 m	IP22 and IP23	CEI 64-7 art. 3.4.2
buried components	IP57	CEI 64-7 art. 3.4.2

2010
2011

TECHNICAL SPECIFICATIONS

■ SHOCK RESISTANCE PROTECTION LEVEL

The table shows the assessment ratings for shock resistance pursuant to CEI EN 50102.

Code	Energy (J)	Code	Energy (J)
IK 00	No protection	IK 06	1
IK 01	0,15	IK 07	2
IK 02	0,20	IK 08	5
IK 03	0,35	IK 09	10
IK 04	0,50	IK 10	2
IK 05	0,70		

■ HEAT RESISTANCE

The assessment ratings for the behaviour of the components made in insulating material in the event of fire are determined by two test methods.

1. GLOW WIRE TEST

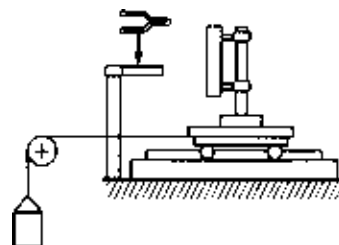
The Glow-wire test, which is described in CEI 50-11, simulates the effects of overheating caused by heat sources in the event of failure or overload which may occur while using electrical equipment: the aim is to assess the risk of a fire.

Test method

A 4 mm Ø wire is electrically heated and pressed against the part to be tested for 30 seconds. The flame that may appear must go out within 30 seconds from removing the incandescent wire, without causing the tracing paper placed under the tested section to permanently catch fire.

Glow wire temperatures

- 650 °C
- 750 °C
- 850 °C
- 960 °C



2. FLAMMABILITY TEST WITH NEEDLE

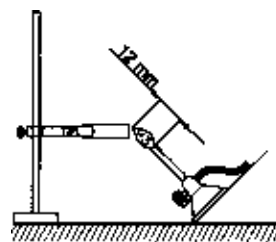
The flammability test using a needle, in compliance with the American Standard UL94, provides a classification of how insulating materials may react.

Test method

A Bunsen burner is applied for 10 seconds twice consecutively.

Classification

- V0 The test specimen stops burning in less than 5 sec.
- V1 The test specimen stops burning in less than 25 sec.
- V2 The test specimen stops burning in less than 25 sec. with flaming drips
- HB The test specimen burns for over 25 sec., but the propagation rate is less than 38 mm/min.



■ ELECTRICAL BOARDS FOR WORKSITES

Worksites, namely temporary work places set up for the construction, repair or demolition of new buildings, public works (roads, ports), laying gas pipelines and similar, are only allowed to use ASC certified (serially manufactured worksite equipment) boards. Please note that for the additional utilities or toilets, office and dormitories the general regulations are applicable.

The law in force states that the whole electrical distribution network, starting from the point of supply, must refer to ASC certified boards of which there are three main types:

- supply and measurement ASC boards;
- mains distribution ASC boards;
- final distribution ASC boards.

Electrical boards manufactured for worksites must comply with the general CEI EN 60439-1 (CEI 17-13/1) standard and additionally to the specific standard dedicated to this type of use, namely CEI EN 60439-4 (CEI 17-13/4).

Boards with plug sockets must be equipped with residual current devices with a working current not exceeding 30 mA, protecting no more than 6 sockets.

The socket tap must be individually protected against overloads: this requirement may even not be applied as long as there is a general protection device located uphill against overcurrents with a rated current not exceeding the value the smallest socket.

The required type-tests include:

- overheating thresholds;
- applied voltage;
- resistance to short circuits;
- efficiency of the protection circuit;
- ground and air-line distances;
- protection level;
- mechanical resistance;
- resistance to corrosion.

The more specific and harder tests the boards are subject to, include:

- impact test with 6J energy;
- shock test to simulate the transport of the equipment;
- corrosion test in a strongly polluted environment.

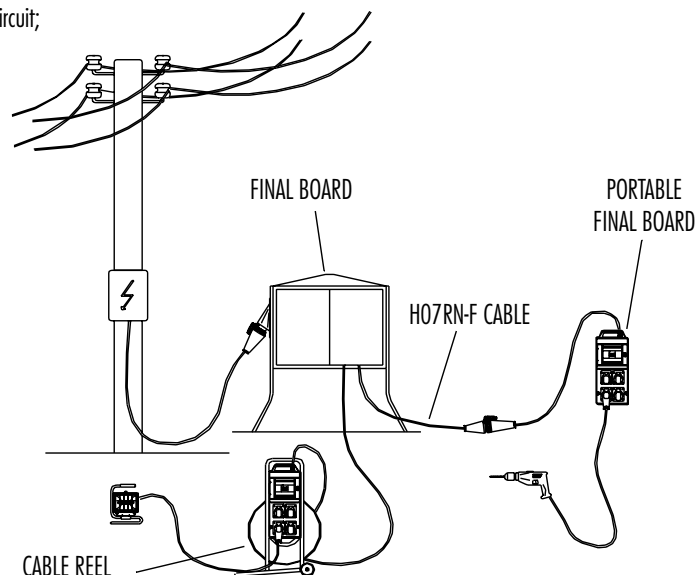
In normal worksite conditions plug sockets need to ensure at least an IP44 protection level, both with the plug inserted and not inserted, and a mechanical resistance to low temperatures up to -25°C. These requirements ensure that the employed plug sockets comply with EN 60309 (CEI 23-12) standards.

For finishing activities or small refurbishing worksites may use adaptors in compliance with EN 50250.

The worksite board must also be identified, so it must bear an indelible plaque where the manufacturer must state:

- its name or trademark;
- the board's code;
- the board's rated voltage;
- reference standards (IEC EN 60439-4);
- its mass (if it exceeds 50Kg);
- current's type and frequency, in case of alternate current;
- protection degree;
- resistance to short circuit;
- CE mark.

The documentation including electrical diagram and conformity declaration must accompany the product.



INDUSTRIAL PLUGS AND SOCKETS

Plastic parts

Our plugs and sockets are manufactured in engineered special polymer, a plastic material whose specific features include:

- exceptional resilience in addition to high rigidity and mechanical resistance;
- remarkable thermal stability;
- excellent insulation qualities;
- high dielectric strength;
- highly wear resistant;
- high resistance to weather conditions;
- excellent resistance to chemicals, for a wide range of substances;
- not including cadmium and halogen substances (fluorine, dore, bromine, iodine, astatine).

Contacts

The contacts are manufactured using a copper-zinc alloy (brass). The specifications of this alloy are exceptionally suited for this type of use and include:

- high electric conductivity;
- high resistance to tensile stress;
- high resistance to corrosion in industrial environments, for applications in agriculture, etc.;
- the nickel plated version is very highly resistant to corrosion in salt water, steam, sulphur compounds, applications in agriculture, dairies, etc.

Environmental temperature

CEE plugs and sockets are suitable for use at temperatures ranging between -25°C to +40°C. In the event of temperatures exceeding the aforementioned values, we suggest you contact our customer support service.

POSITION OF THE SAFETY CONTACT IN COMPLIANCE WITH EN 60309-2

Low voltage (>50V)

Voltage	Frequency	2P+E 3P+E			3P+N+E		
		16+32A	63+125A	16+32A	63+125A	16+32A	
63.5/110 a 75/130	50+60					4	4
110a130	50+60	4	4	4	4		
120/208-144/250	50+60					9	9
220-250	50+60	6	6	9	9		
220/380-240/415	50+60					6	6
220/380; 250/440	50; 60					3	*3
250/400-265/460	60					11	11
277	60	5	5				
277/480 - 288/500	50+60					7	7
347/600-400/690	50+60					5	5
380-415	50+60	9	9	6	6		
380;440	50; 60			3	*3		
440-460	60			11	11		
480 - 500	50+60	7	7	7	7		
600 - 690	50+60			5	5		
more than 50 100 up to 300	*10	*10	10	*10	*10	*10	
more than 50 >300 up to 500	2	*2	2	*2	2	*2	
more than 50 up to 250	dir. curr.	3	3				
more than 250	dir. curr.	8	8				
Supply after sep. transformer	50+60	12	12	12	12		
						*noT standard	

COLOUR CODES

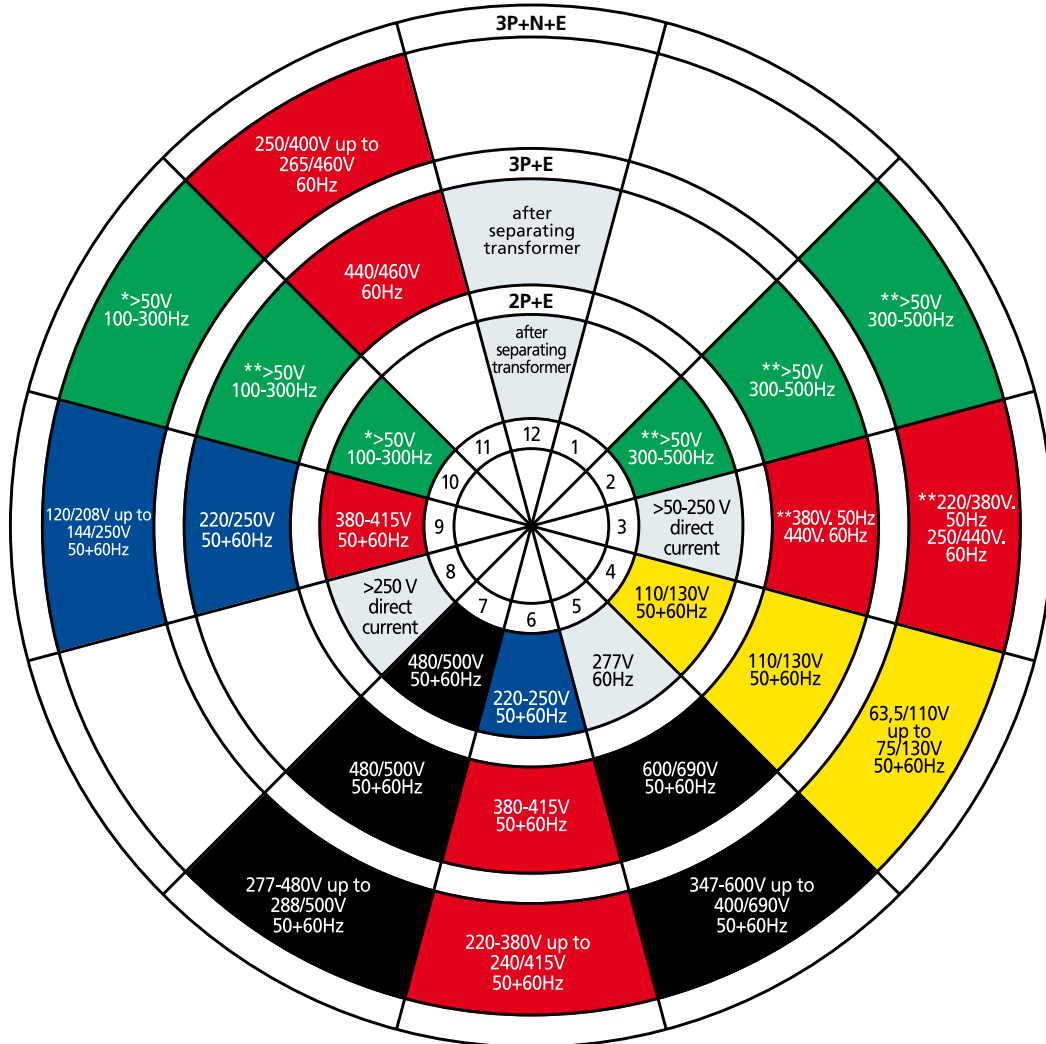
In addition to writing the voltage and frequencies, the following colour codes are also used:

Rated operating voltage:	colour:	
20-25V	VIOLET	
40-50V	WHITE	
100-130V	YELLOW	
200-250V	BLUE	
380-480V	RED	
500-690V	BLACK	

PLEASE NOTE: For frequencies exceeding 60 up to 500 Hz, if necessary the green colour can be combined with the colour of the operating voltage.

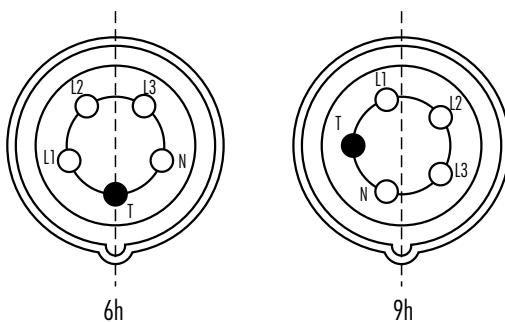
■ CIRCULAR DIAGRAM

Clockwise position of the low voltage (>50V) safety contact



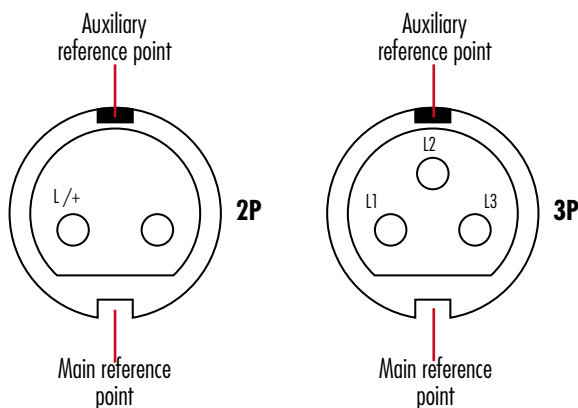
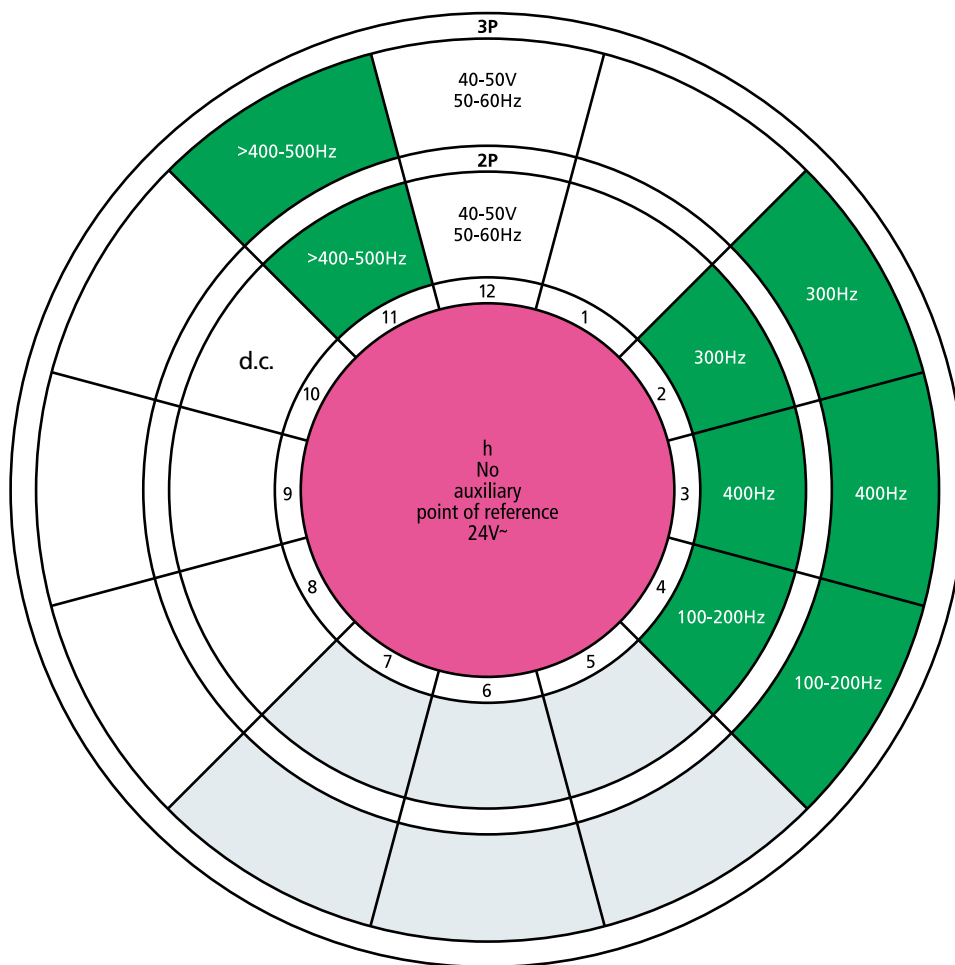
- * no standard version
- ** no standard version for 63A, 125A

Clockwise position of the safety contact seen from the front of the socket or connection.



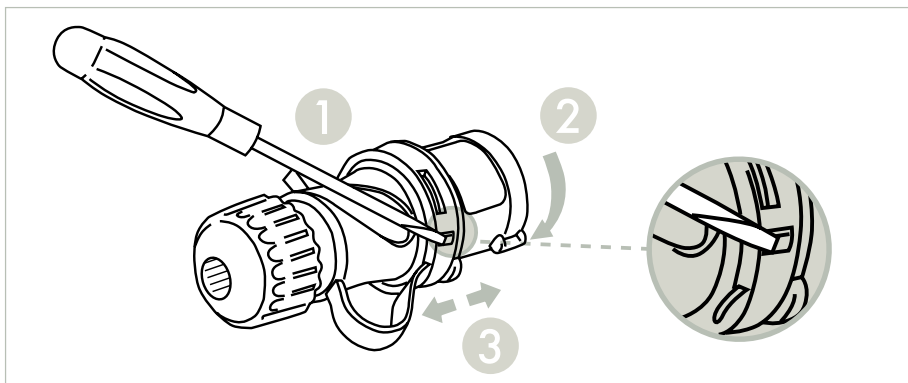
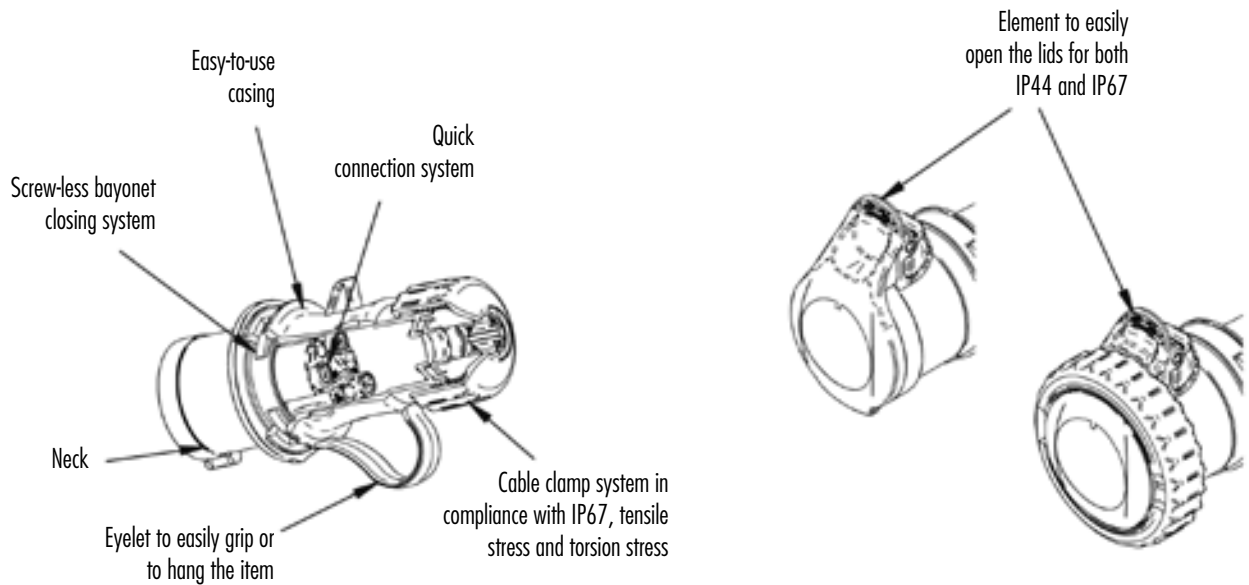
Rated operating voltage < 50V

Voltage	Frequency	2P	3P
V	Hz	(16A and 32A)	(16A and 32A)
20-25	50 and 60	No P.R.A.	no P.R.A.
40-50	50 and 60	12	12
20-25	100-200	4	4
e	300	2	2
40-50	400	3	3
	> 400-500	11	11
	d.c.	10	



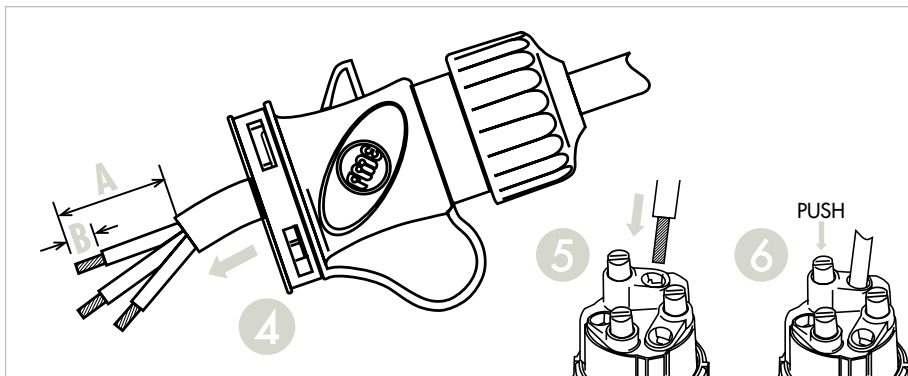
The positions located at 1-8-9 o'clock have been set aside for future standards; for reasons connected to manufacturing, the positions located at 5, 6 and 7 o'clock cannot be used.

NEW INDUSTRIAL PLUGS AND SOCKETS SERIES



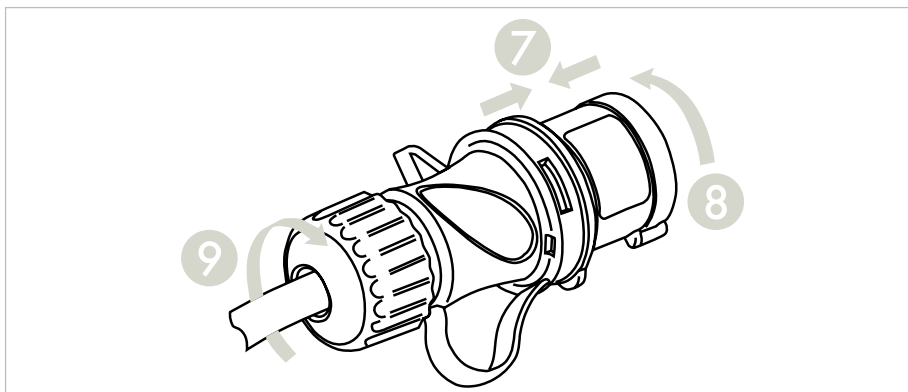
OPENING

- Insert the screwdriver in the dedicated slit.
- Rotate anti-clockwise.
- Separate the two pieces.



CABLE

- Insert the sheath-less cable:
 - **16A** (A = 30 mm – B = 12 mm);
 - **32A** (A = 50 mm – B = 12 mm).
- Insert the cable and press the pawl to block.

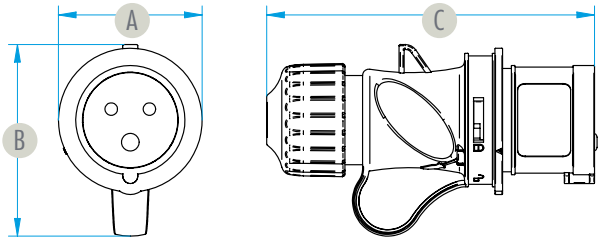


CLOSING

- Insert the two pieces and turn clockwise until you hear a click.
- Close the cable clamp.

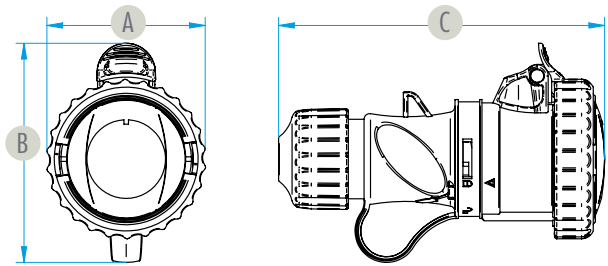
SIZE CHARTS

■ "ARGO" INDUSTRIAL PLUGS AND SOCKETS



Code	A	B	C
70100	57	76	130
70101	63	84	130
70102	70	91	130
70103	57	76	130
70104	63	84	130
70105	70	91	130
70106	70	93	157

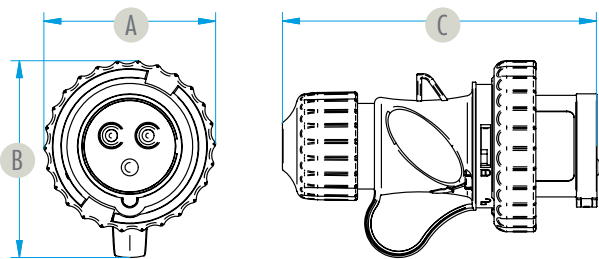
Code	A	B	C
70120	70	93	157
70121	70	93	157
70122	63	84	157
70123	70	93	157
70124	70	93	157
70125	77	100	157
70126	57	76	130



Code	A	B	C
71140	70	98	145
71141	77	103	146
71142	84	110	144
71143	70	98	145
71144	77	103	146
71145	84	110	144
71146	70	98	145

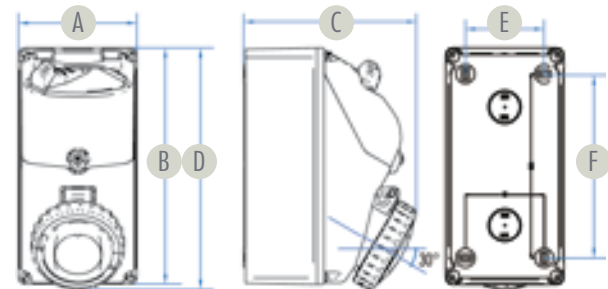
Code	A	B	C
71160	90	111	174
71161	90	111	174
71162	98	117	173
71163	90	111	174
71164	90	111	174
71165	98	117	173
71166	90	111	174

■ "KEY BLOCK" WALL MOUNTING INTERLOCKED SOCKETS



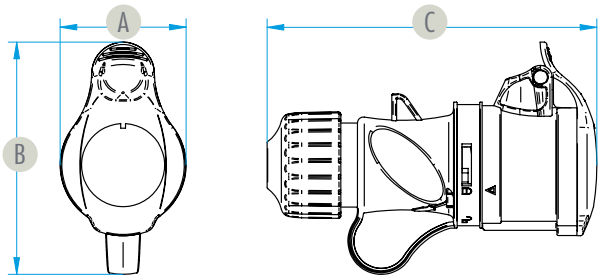
Code	A	B	C
70140	70	81	130
70141	77	87	130
70142	84	94	130
70143	70	81	130
70144	77	87	130
70145	84	94	130
70146	70	81	130

Code	A	B	C
70160	90	97	157
70161	90	97	157
70162	98	104	157
70163	90	97	157
70164	90	97	157
70165	98	104	157
70167	90	97	157



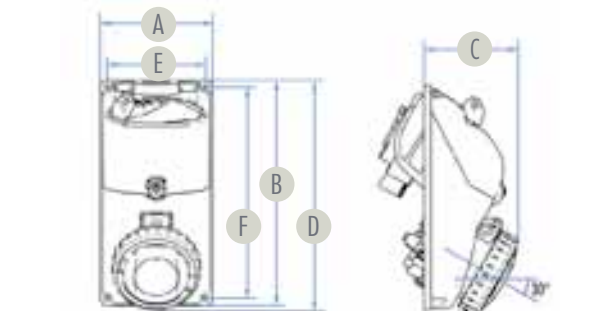
N° Poli	A	B	C	D	E	F
3P 16A	90	180	130	184	60	140
4P 16A	90	180	134	184	60	140
5P 16A	90	180	138	184	60	140
3P 32A	90	180	147	190	60	140
4P 32A	90	180	147	190	60	140
5P 32A	90	180	150	192	60	140

■ "KEY BLOCK" FLUSH-MOUNTING INTERLOCKED SOCKETS



Code	A	B	C
71100	53	98	140
71101	60	104	140
71102	66	110	140
71103	53	98	140
71104	60	104	140
76105	66	110	140
71106	57	76	130

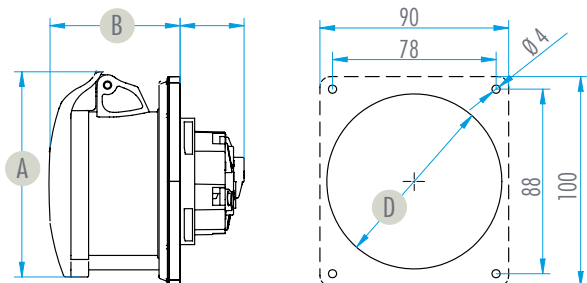
Code	A	B	C
71120	67	111	168
71121	67	111	168
71122	73	117	168
71123	67	111	168
71124	67	111	168
71125	73	117	168
71126	53	98	140



N° Poli	A	B	C	D	E	F
3P 16A	90	180	75	184	79	169
4P 16A	90	180	78	184	79	169
5P 16A	90	180	81	184	79	169
3P 32A	90	180	91	190	79	169
4P 32A	90	180	91	190	79	169
5P 32A	90	180	94	192	79	169

SIZE CHARTS

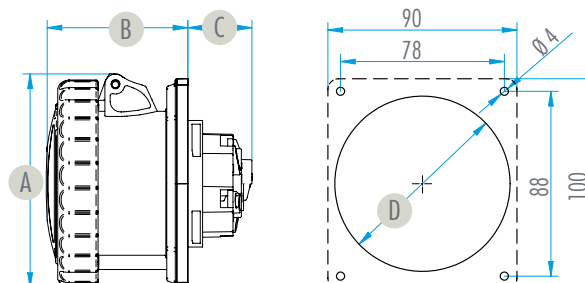
STRAIGHT FLUSH-MOUNTING SOCKETS IP44



Code	A	B	C	D
71500	72	53	29	60
71504	80	53	29	65
71505	85	53	29	70
71506	72	53	29	75

Code	A	B	C	D
71520	90	63	31	75
71524	90	63	31	75
71525	99	63	31	75
71526	90	63	31	75

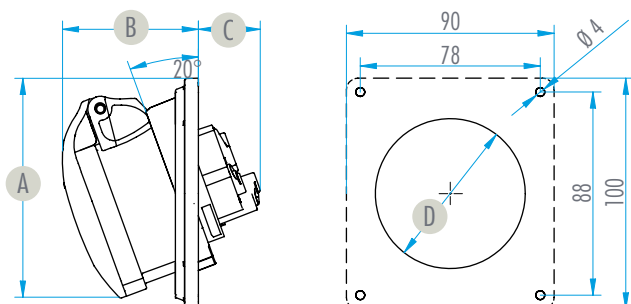
STRAIGHT FLUSH-MOUNTING SOCKETS IP67



Code	A	B	C	D
71540	78	58	29	60
71544	85	58	29	65
71545	90	58	29	70
71546	78	58	29	75

Code	A	B	C	D
71560	95	68	31	75
71564	95	68	31	75
71565	103	68	31	75
71566	95	68	31	75

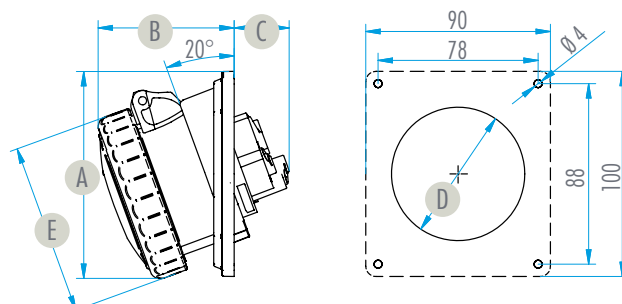
ANGLED FLUSH-MOUNTING SOCKETS IP44



Code	A	B	C	D
71600	86	58	27	75
71604	95	55	31	75
71605	95	60	31	75
71606	86	58	27	75

Code	A	B	C	D
71620	100	70	32	75
71624	100	70	32	75
71625	105	70	35	75
71626	100	70	32	75

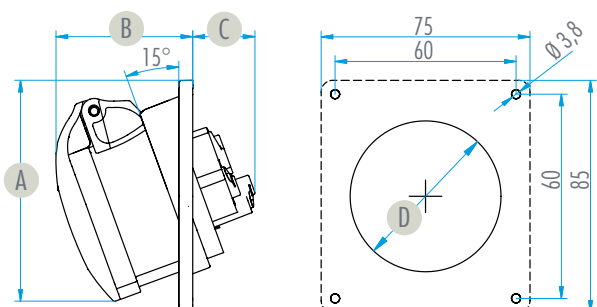
ANGLED FLUSH-MOUNTING SOCKETS IP67



Code	A	B	C	D	E
71640	92	65	27	75	71
71644	102	61	31	75	77
71645	102	67	31	75	84
71646	92	65	27	75	71

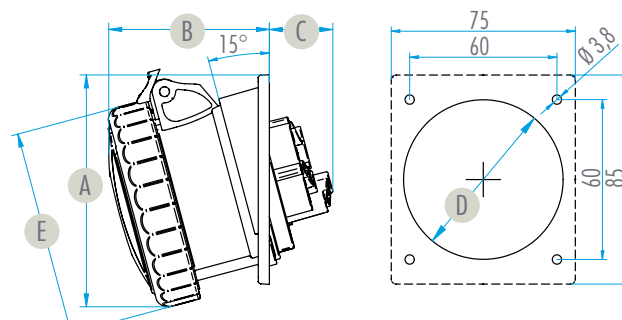
Code	A	B	C	D	E
71660	108	76	32	75	91
71664	108	76	32	75	91
71665	112	77	35	75	100
71666	108	76	32	75	91

ANGLED FLUSH-MOUNTING SOCKETS IP44



Code	A	B	C	D
71610	82	58	25	63
71614	85	59	25	63
71615	88	60	26	63
71616	82	58	25	63

ANGLED FLUSH-MOUNTING SOCKETS IP67

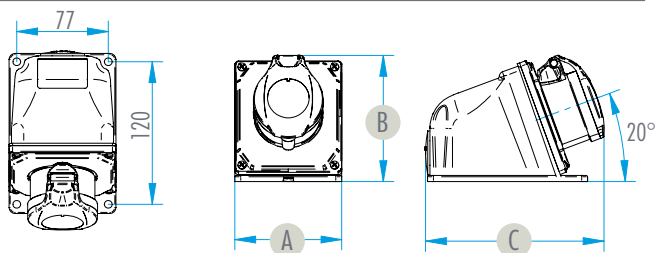


Code	A	B	C	D	E
71650	88	64	25	63	71
71654	91	65	25	63	77
71655	94	66	26	63	84
71656	88	64	25	63	71

2010
2011

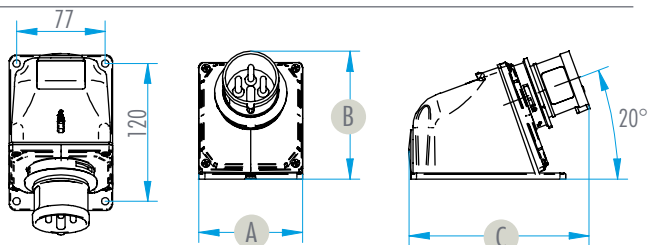
TECHNICAL SPECIFICATIONS

WALL MOUNTING SOCKETS IP44



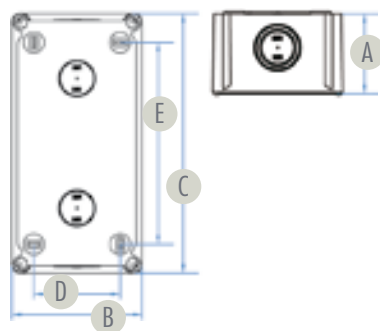
Code	A	B	C	Code	A	B	C
71300	90	103	149	71320	90	111	163
71304	90	106	150	71324	90	111	163
71305	90	107	153	71325	90	120	175
71310	90	103	143	71330	90	111	163

WALL PLUGS IP44

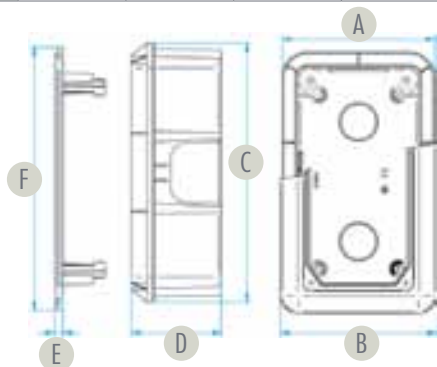


Code	A	B	C	Code	A	B	C
70300	90	111	155	70320	90	115	169
70304	90	111	158	70324	90	115	169
70305	90	111	160	70325	90	115	171
70310	90	111	155	70330	90	111	158

WALL BOX FOR KEY BLOCK SOCKETS

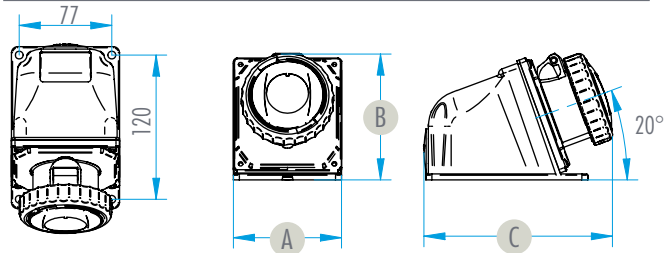


Code	A	B	C	D	E
73990	56	90	180	184	140



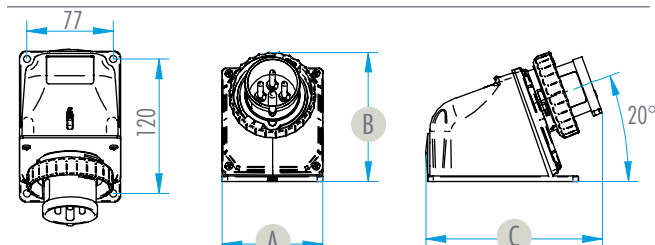
Code	A	B	C	D	E	F
73991	127	130	217	75	7	220

WALL MOUNTING SOCKETS IP67



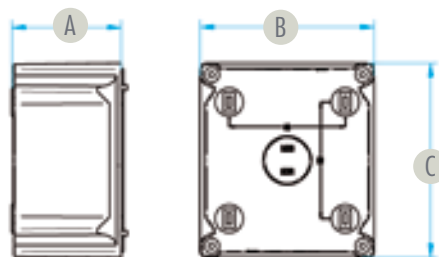
Code	A	B	C	Code	A	B	C
71316	90	103	156	71345	90	105	157
71336	90	105	157	71360	90	114	170
71340	90	103	156	71364	90	114	170
71344	90	105	157	71365	90	122	180

WALL PLUGS IP67



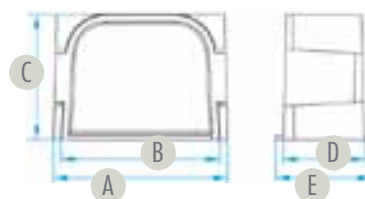
Code	A	B	C	Code	A	B	C
70316	90	115	156	70345	90	115	160
70336	90	115	158	70360	90	119	169
70340	90	115	156	70364	90	119	169
70344	90	115	158	70365	90	120	171

WALL BOX



Code	A	B	C
73996	90	100	60

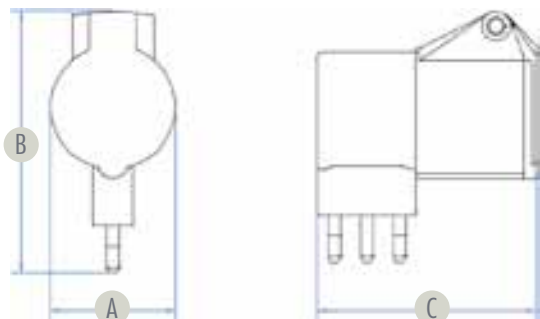
SPACER FOR KEY BLOCK SOCKET BOXES



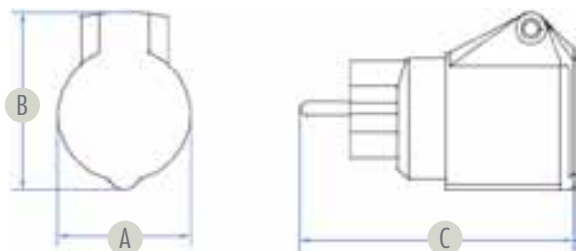
Code	A	B	C	D	E
73995	62	57	44,5	29	34

SIZE CHARTS

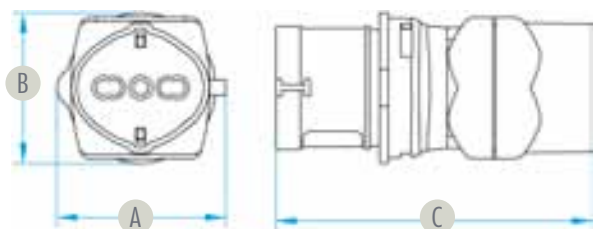
■ CEE ADAPTORS



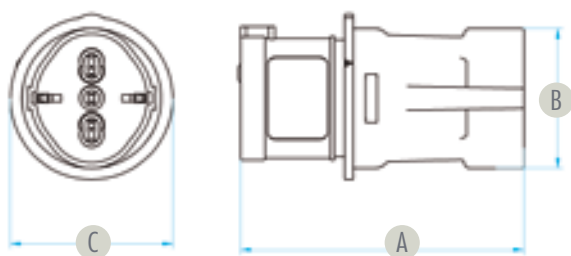
Code	A	B	C
73000	50	101	88



Code	A	B	C
73001	50	67	104

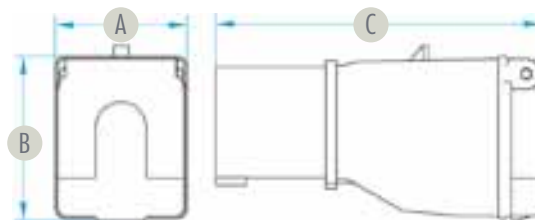


Code	A	B	C
73090	60	53	112



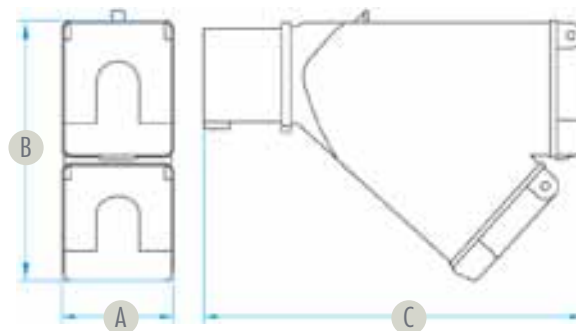
Code	A	B	C
73100	100	49	57

■ INDIVIDUAL CEE ADAPTORS



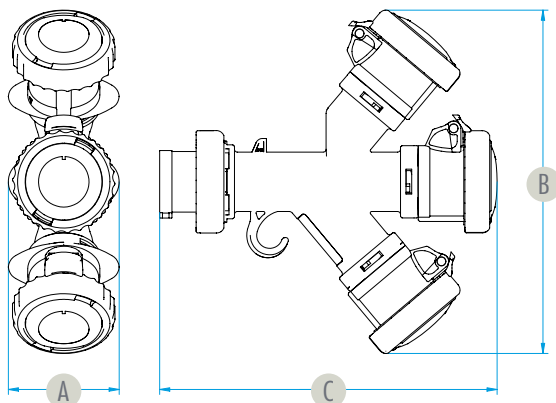
Code	A	B	C
73101	52	65	129
73102	52	65	129
73108	52	65	129
73109	52	65	129

■ DOUBLE CEE ADAPTORS



Code	A	B	C
73104	53	120	177
73105	53	162	229
73107	53	133	229

■ MULTIPLE CEE ADAPTORS

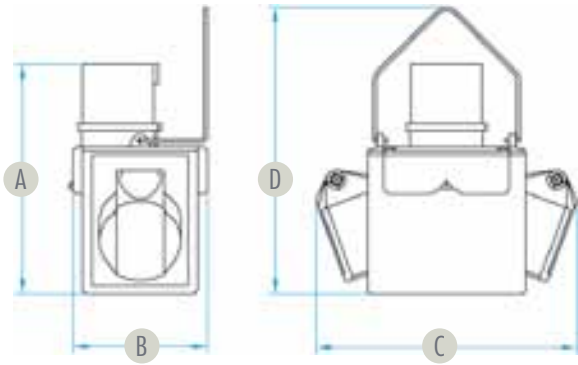


Code	A	B	C
73120	77	238	234
73121	77	238	205
73140	82	248	244
73141	82	248	215

2010
2011

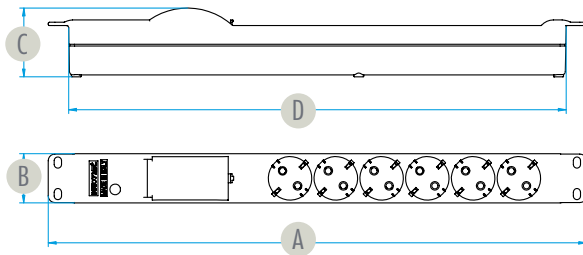
TECHNICAL SPECIFICATIONS

DOUBLE CEE ADAPTORS

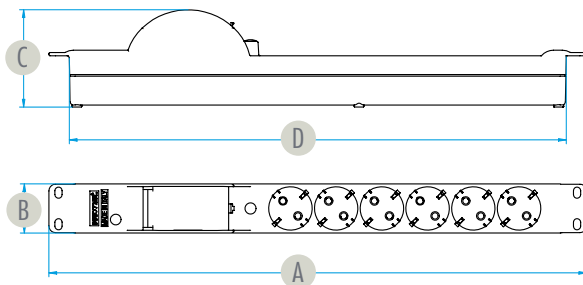


Code	A	B	C	D
73110	140	82	160	175
73111	146	82	162	175
73112	152	82	161	175

POLIFEMO MIDI SERIES

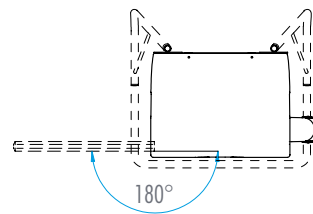
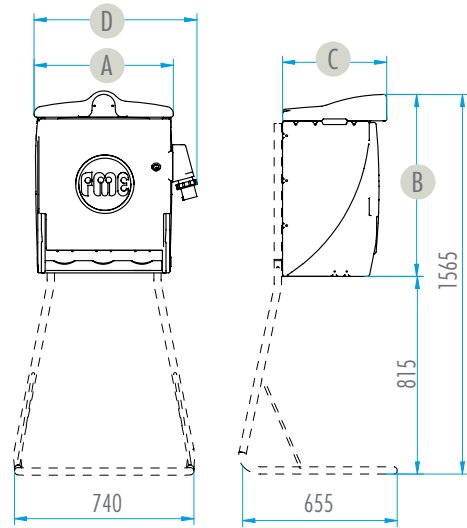


Code	A	B	C	D
23204	482	44	62	446
23205	482	44	62	446
23230	482	44	62	446
23232	482	44	62	446
23234	482	44	62	446
23236	482	44	62	446



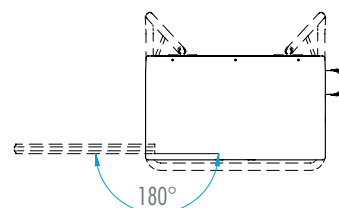
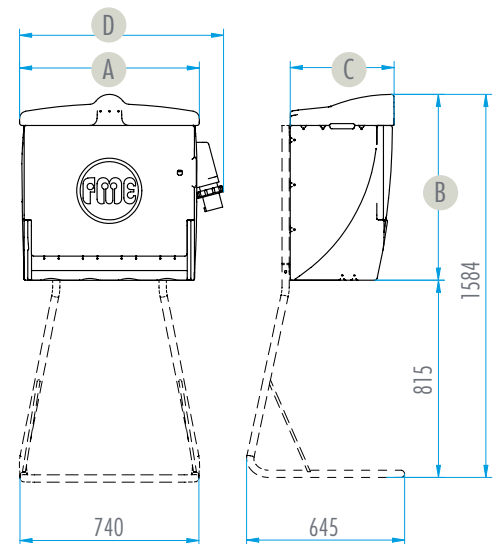
Code	A	B	C	D
23206	482	44	87	446
23207	482	44	87	446
23231	482	44	87	446
23233	482	44	87	446
23235	482	44	87	446
23237	482	44	87	446

POLIFEMO MAXI SERIES



Code	A	B	C	D
	574	750	430	671

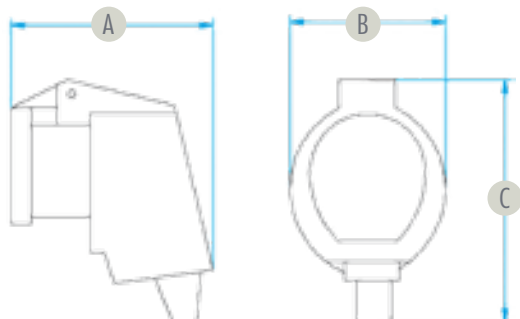
MODULAR SWITCH SERIES



Code	A	B	C	D
	743	770	430	843

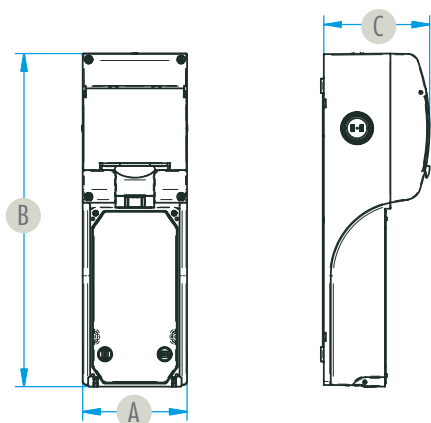
SIZE CHARTS

■ CARAVAN ADAPTOR IP44

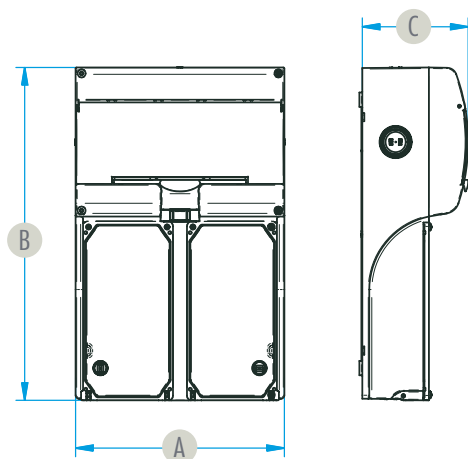


Code	A	B	C
73002	85	60	130

■ KEY BOX

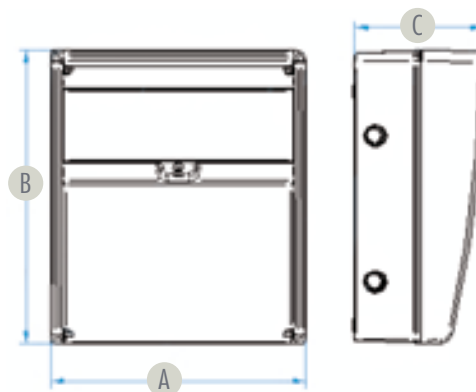


Code	A	B	C
74170	105	335	107
74175	105	335	107

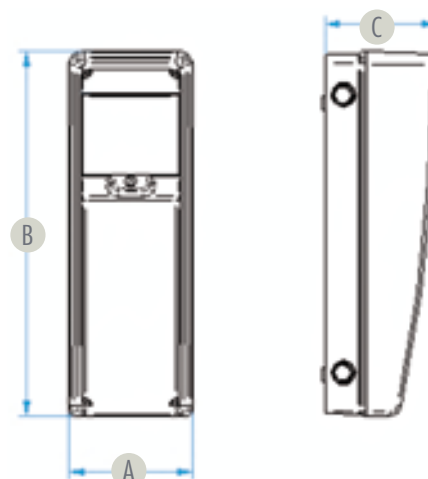


Code	A	B	C
74171	210	335	107
74176	210	335	107

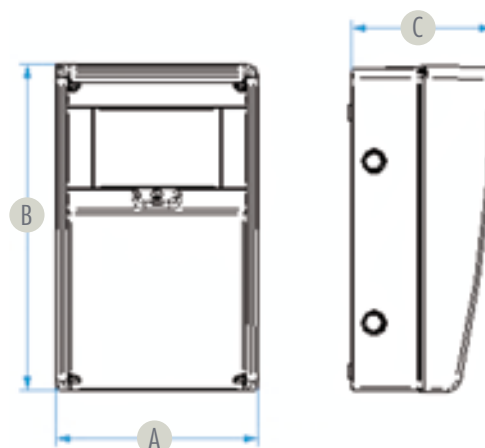
■ "ULISSE" BOARDS



Code	A	B	C
74182	350	405	177



Code	A	B	C
74180	150	450	137

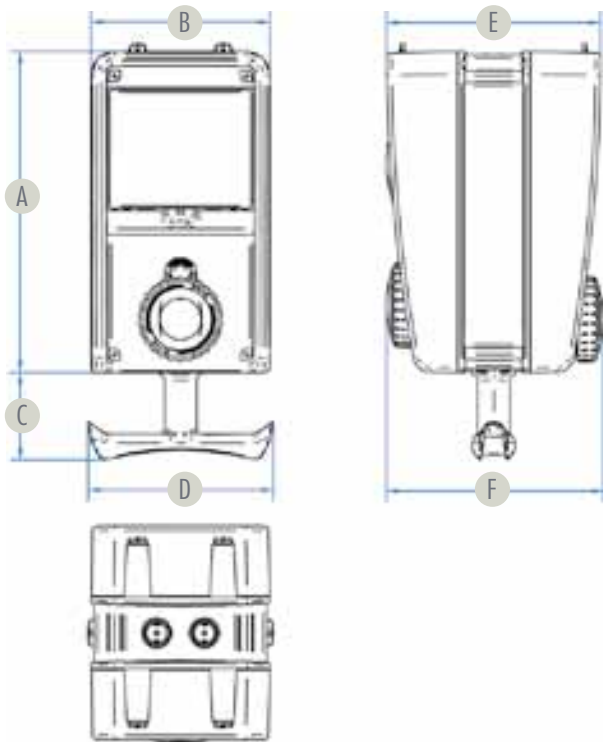


Code	A	B	C
74181	250	403	177

2010
2011

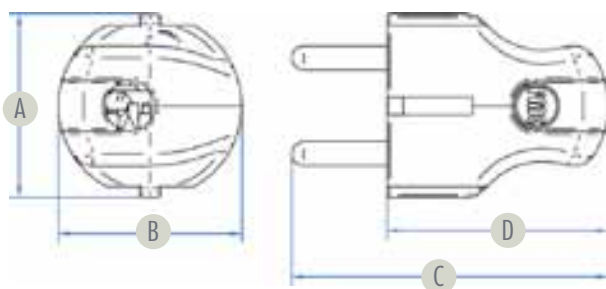
TECHNICAL SPECIFICATIONS

■ SERIE "EOLO"



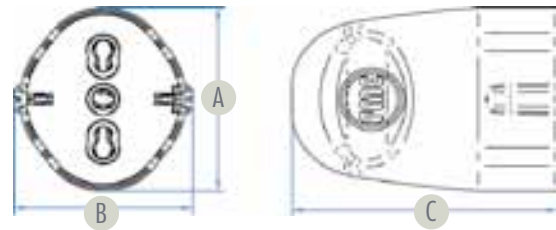
Code	A	B	C	D	E	F
Da 74100 a 74106	270	150	73	156	180	183
Da 74121 a 74126	270	150	73	156	180	183
Da 74130 a 74133	270	150	73	156	180	170

■ ITALIAN/GERMAN STND PLUG



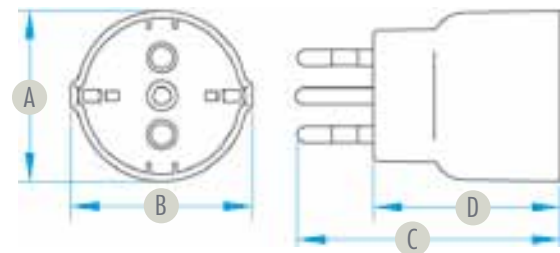
Code	A	B	C	D
80070	36	36	62	44
80071	36	36	62	44

■ ITALIAN/GERMAN STND SOCKET



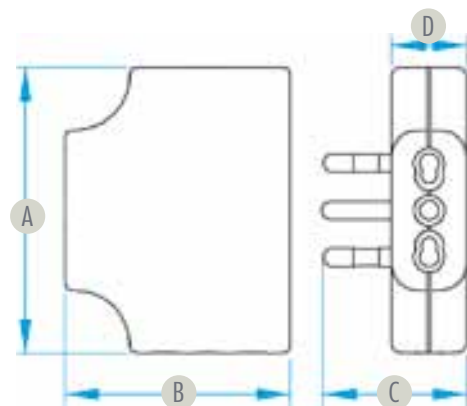
Code	A	B	C
81040	49	46	68
81041	49	46	68

■ GERMAN/ITALIAN STND. DOMESTIC ADAPTORS



Code	A	B	C	D
81090	40	37	60	41
82110	40	22	29	48
82120	42	45	65	46
82130	42	45	65	46

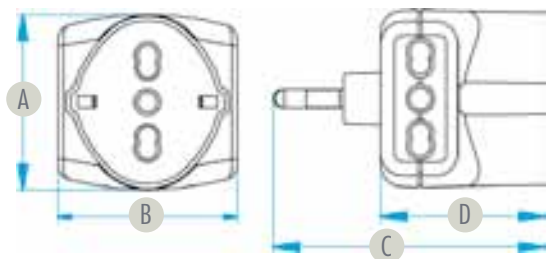
■ FLAT DOMESTIC ADAPTORS



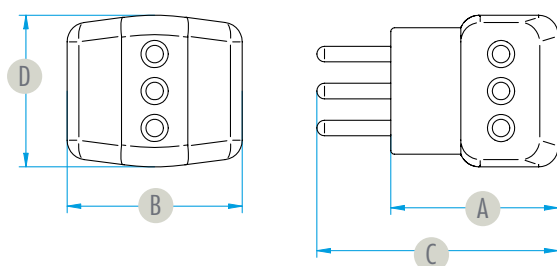
Code	A	B	C	D
82220	79	62	40	21
82221	79	62	40	21
82222	79	62	40	21
82250	71	57	37	18
82251	71	57	37	18
82252	71	57	37	18

SIZE CHARTS

TRIPLE DOMESTIC ADAPTORS

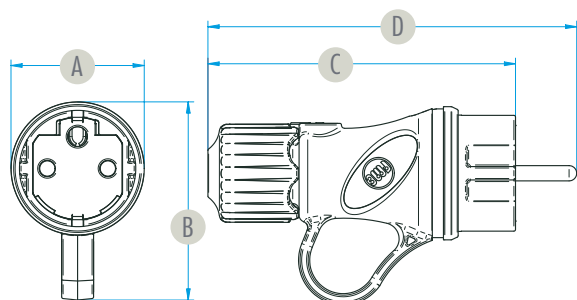


Code	A	B	C	D
82190	42	46	74	44
82210	40	37	60	41
82230	46	50	82	45
82240	50	49	75	46



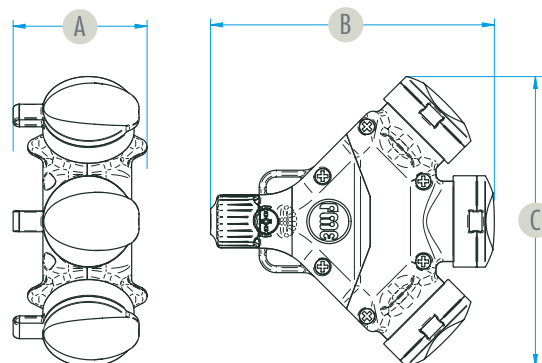
Code	A	B	C	D
82200	40	45	44	63
82280	45	45	37	56

ITALIAN/GERMAN STND PLUG



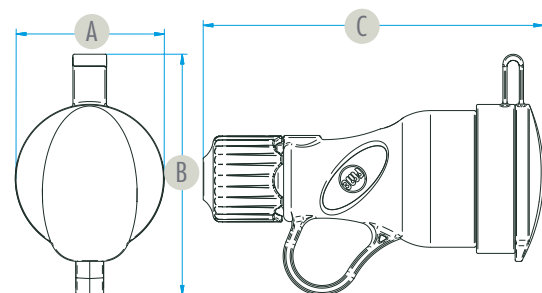
Code	A	B	C	D
80052	42	62	96	115,5

ITALIAN/GERMAN STND TRIPLE SOCKET



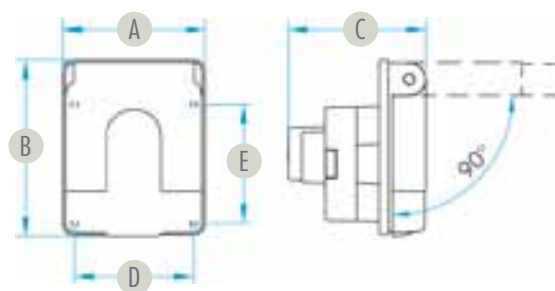
Code	A	B	C
81033	80	166	170

ITALIAN/GERMAN STND SOCKET



Code	A	B	C
81032	53	70	122

FLUSH-MOUNTING DOMESTIC SOCKETS

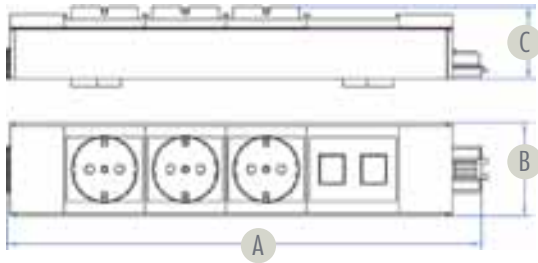


Code	A	B	C	D	E
71083	52	64	45	43,5	43,5
71084	52	64	45	43,5	43,5
71093	52	64	46	43,5	43,5
71094	52	64	37	43,5	43,5

2010
2011

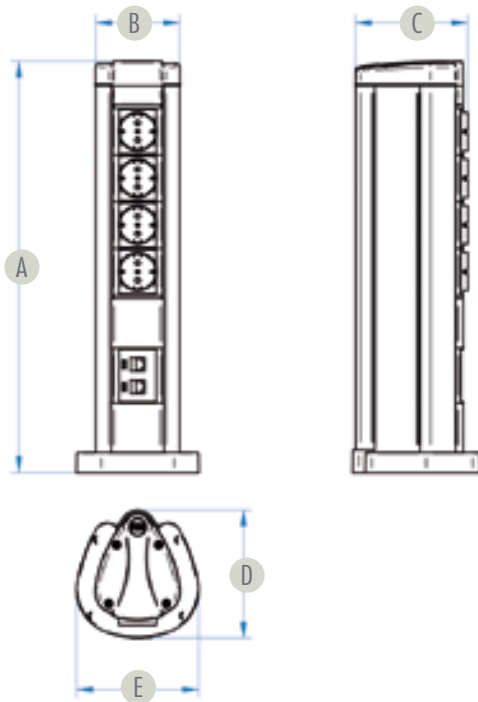
TECHNICAL SPECIFICATIONS

■ "TOWER TECH" MULTI-SOCKETS



Code	A	B	C
40800	300	58	46
40801	300	58	41
40802	300	58	41
40830	350	58	46
40831	350	58	41
40832	350	58	41
40840	400	58	46
40841	400	58	41
40842	400	58	41

■ "TOWER TECH" MULTI-SOCKETS

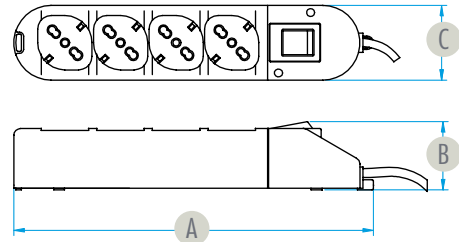


Code	A	B	C	D	E
40850	450	92	125	139	133
40860	650	92	125	139	133
40870	1000	92	125	139	133



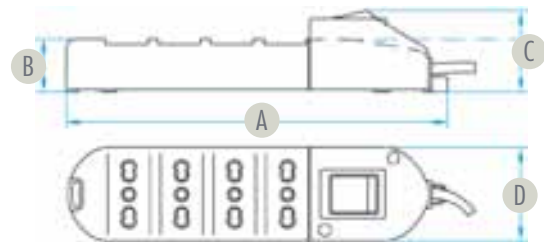
Code	A	B	C	D (max)	D (min)
40880	452	96	180	50	12

■ FIDO SERIES 4-WAY MULTI-SOCKET



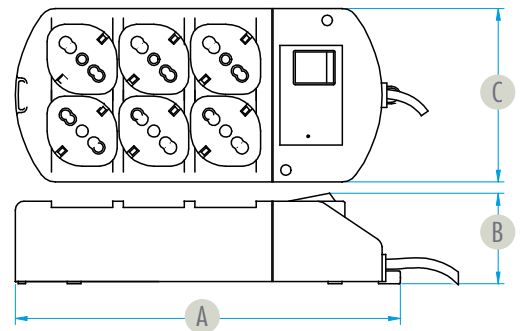
Code	A	B	C
41080	266	46	55
41082	266	46	55
41083	266	50	55
41084	266	50	55
41088	266	50	55
41090	266	46	55

■ FIDO SERIES MULTI-SOCKET



Code	A	B	C	D
41000	144	25		39
41002	144	25		39
41010	162	25		46
41012	162	25		46
41013	162	25	40	46
41020	188	25		46
41022	188	25		46
41023	188	25	40	46
41040	240	25		46
41042	240	25		46
41043	240	25	40	46

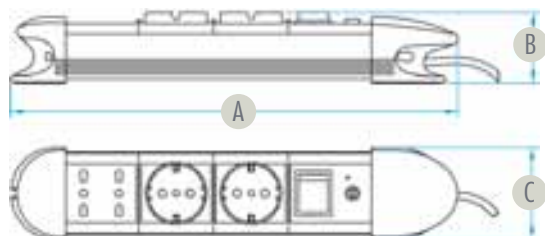
■ FIDO SERIES 6-WAY MULTI-SOCKET



Code	A	B	C
41102	220	50	100
41103	220	50	100
41104	220	50	100
41105	220	50	100

SIZE CHARTS

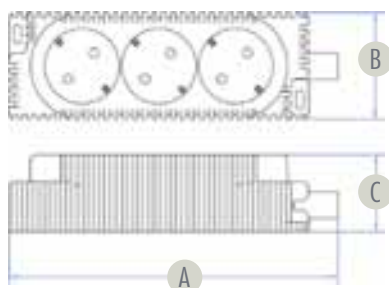
■ "MODULA" MULTI-SOCKETS



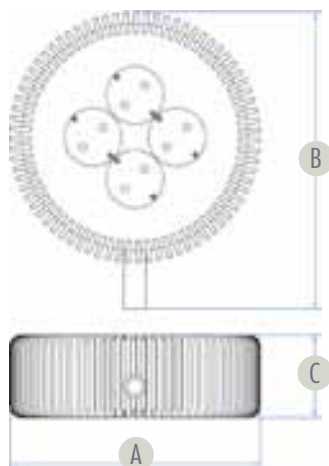
Code	A	B	C
45533	305	45	63
45534	305	45	63
45553	356	45	63
45554	356	45	63
45613	255	45	63
45614	255	45	63
45615	255	45	63
45616	255	45	63
45617	255	45	63
45618	255	45	63

Code	A	B	C
45633	305	45	63
45634	305	45	63
45635	305	45	63
45636	305	45	63
45637	305	45	63
45638	305	45	63
45713	356	45	63
45714	356	45	63
45723	305	45	63
45724	305	45	63

■ "PROFESSIONAL" MULTI-SOCKETS

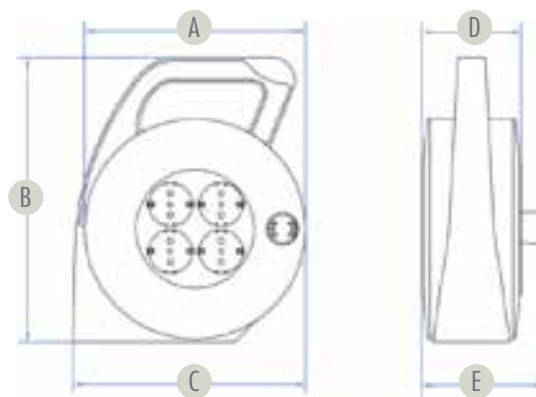


Code	A	B	C
41151	183	40	58



Code	A	B	C
42011	170	54	200
42012	170	54	200
42019	170	54	200
42022	170	54	200

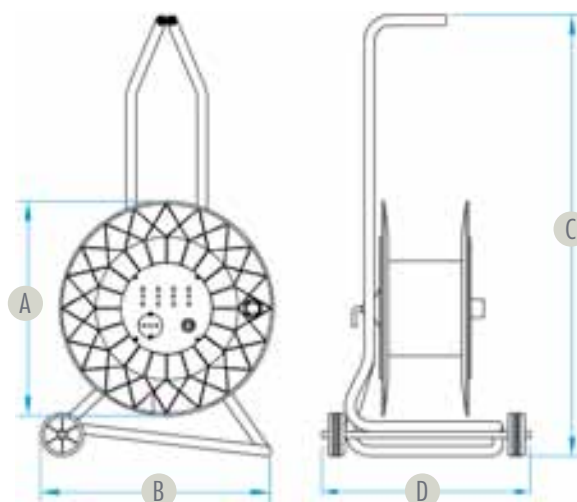
■ "PUMA" CABLE REELS



Code	A	B	C	D	E
01030	145	188	153	65	84
01040	175	255	185	73	95
01163	175	188	153	65	84
01203	175	255	185	73	95
01273	175	255	185	73	95
01274	175	255	185	73	95
01272	175	255	185	73	95
01283	195	252	206	75	98
01284	195	252	206	75	98
01282	195	252	206	75	98
01333	245	300	255	110	130
01334	245	300	255	110	130

Code	A	B	C	D	E
01332	245	300	255	110	130
01343	245	300	255	110	130
01344	245	300	255	110	130
01342	245	300	255	110	130
01349	245	300	255	110	130
20205	110	147	115	51	64
20225	110	147	115	51	64
20226	110	147	115	51	64
30200	110	147	115	51	64
30220	145	188	153	65	84
30240	145	188	153	65	84

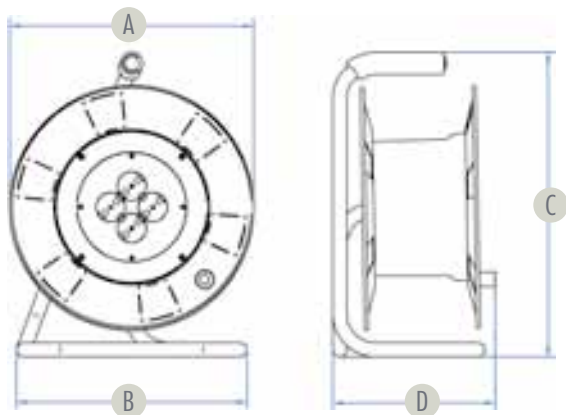
■ "GOLIA CEE" AND "GOLIA METAL CEE" INDUSTRIAL CABLE REELS



Code	A	B	C	D
10000	260	255	330	182
11000	320	310	402	210
11127	320	310	402	210
11128	320	310	402	210
11162	320	310	402	210
11164	320	310	402	210
14300	320	255	330	182
14337	320	310	402	222
14338	320	310	402	222
14347	320	310	402	222

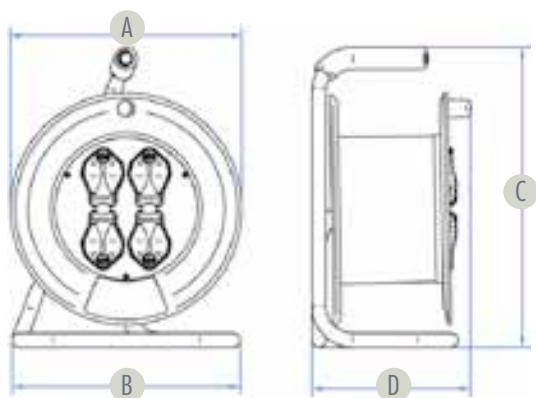
Code	A	B	C	D
14348	320	310	402	222
14350	320	310	402	222
14352	320	310	402	222
14360	320	310	402	222
14362	320	310	402	222
14370	320	310	402	222
14372	320	310	402	222
14380	320	310	402	222
14382	320	310	402	222

■ "GOLIA METAL" CABLE REELS FOR DOMESTIC USE



Code	A	B	C	D
14313	320	310	402	222
14314	320	310	402	222
14312	320	310	402	222
14318	320	310	402	222
14324	320	310	402	222
14322	320	310	402	222
14323	320	310	402	222
14326	320	310	402	222
14328	320	310	402	222

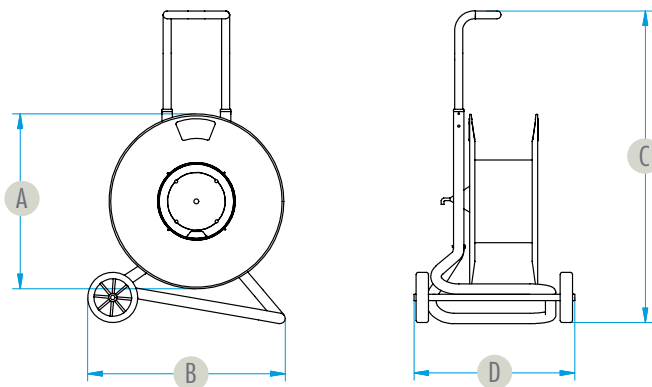
■ "ONDA" CABLE REELS



Code	A	B	C	D
14623	260	256	337	180
14625	320	310	398	215
14631	260	256	337	180
14634	320	310	398	215
14661	260	256	337	180
14664	320	310	398	215
14675	260	256	337	180
14676	320	310	398	215
14677	320	310	398	215
14684	320	310	398	215
14685	320	310	398	215
14695	260	256	337	180
14697	320	310	398	215

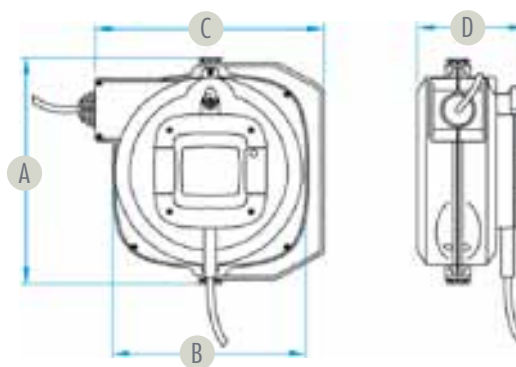
Code	A	B	C	D
14800	260	256	337	180
14801	320	310	398	215
14803	320	310	398	215
14804	320	310	398	215
14820	260	256	337	180
14821	320	310	398	215
14822	320	310	398	215
14823	320	310	398	215
14824	320	310	398	215
14825	260	256	337	180
14827	320	310	398	215
14828	320	310	398	215
14830	320	310	398	215

■ TRAILER-MOUNTED METAL STAND - THERMOPLASTIC CABLE DRUM



Code	A	B	C	D
12003	420	480	810	390
12128	420	480	810	390
12160	420	480	810	390
12170	420	480	810	390
12180	420	480	810	390
12190	420	480	810	390

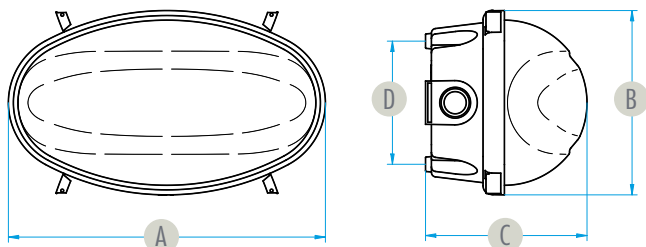
■ SELF-WINDING CABLE REELS



Code	A	B	C	D
14950	270	232	274	130
14951	270	232	274	130
14952	270	232	274	130
14953	270	232	274	130
14960	270	232	274	185
14961	270	232	274	130
14962	270	232	274	130

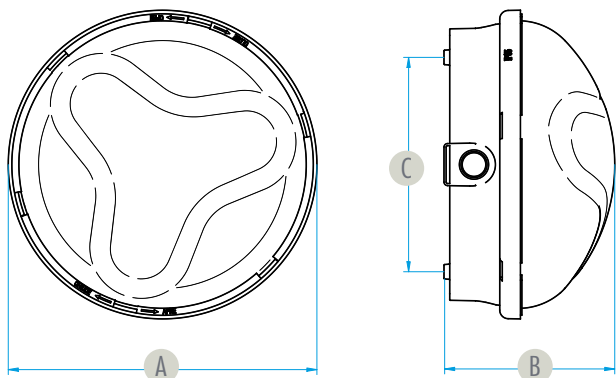
SIZE CHARTS

■ PANDA MIDI OVAL CEILING LIGHT FIXTURES



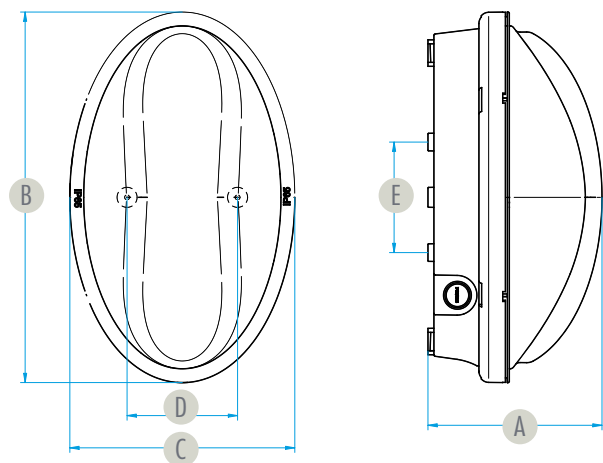
Codice	A	B	C	D
62720	215	125	110	83,5
62721	215	125	110	83,5
62722	215	125	110	83,5
62723	215	125	110	83,5
62724	215	125	110	83,5

■ PANDA MIDI ROUND CEILING LIGHT FIXTURES



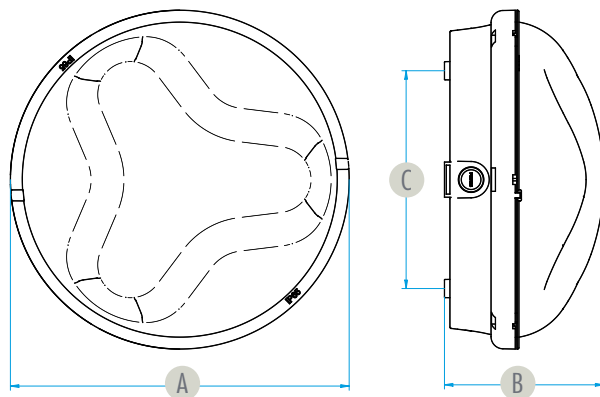
Codice	A	B	C
62730	216	119	150
62731	216	119	150
62732	216	119	150

■ PANDA MAXI OVAL CEILING LIGHT FIXTURES



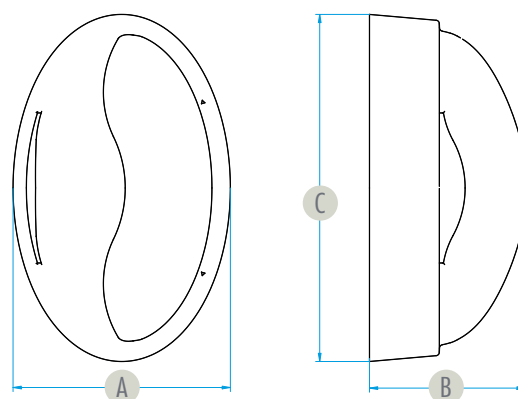
Codice	A	B	C	D	E
62740	132	280	170	83.5	83.5
62741	132	280	170	83.5	83.5
62742	132	280	170	83.5	83.5

■ PANDA MAXI ROUND CEILING LIGHT FIXTURES



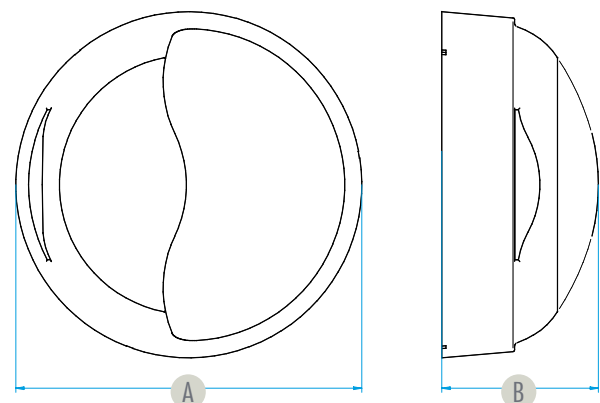
Codice	A	B	C
62750	280	132	180
62751	280	132	180
62752	280	132	180

■ "EYELID" SHADE FOR PANDA MAXI OVAL CEILING LIGHT FIXTURES



Codice	A	B	C
62745	185	133	296
62746	185	133	296

■ "EYELID" SHADE FOR PANDA MAXI ROUND CEILING LIGHT FIXTURES



Codice	A	B
62755	296	133
62756	296	133

2010
2011

TECHNICAL SPECIFICATIONS

The **power** of innovation

Energy from values

Daily commitment to timeless quality.

Designing new products and new solutions, testing safer, longer-lasting materials, searching for new shapes and designs: it is important to realize that our work helps improve the work of others. It is important for the development of an industrial organization in search of values that can help it cope with the new challenge posed by globalization and the pursuit of quality. It is important for the assumption of responsibility in delivering products that are required to retain their technological value for years. It is important for the expansion and strengthening of a continuous improvement process. The products in this catalogue stand as testimony to the progress and advances that every day, through our efforts, allow millions of people around the world to live their lives while keeping in touch with each other. It is the mark of a successful brand that is recognized and appreciated by consumers for the hallmarks of function, strength and quality borne by its products: products that, for three generations, have consistently characterized the range of Italian-made offerings both in the domestic market and across Europe.



From the idea to the finished product

Every successful product is the result of a rigorous design and production process. Fanton S.p.A. controls this process from start to finish, with its own R&D department and production facilities.

Quality and safety

This is the basic criterion for everything in the company. Every product is the result of careful design and testing for quality and safety – to standards beyond those required by established regulations.



Company

Fanton Spa is located in an area of 30,000 m2, 20,000 of which are covered. It relies on the professionalism and expertise of its carefully selected personnel that includes 150 internal staff.



ELECTRICAL
COMPONENTS
FACTORY



SPECIAL
CABLES
DIVISION



CABLING
SYSTEM

Innovation

Fanton S.p.A. stands out from the competition for its continuous innovation and upgrading of its product line, thus staying ahead of the curve in this challenging market with its highly demanding clientele.

Sales network

The FME, AMBRA 90 CAVI and FANTONET brands have grown together with a highly qualified network of agents, created a well-established presence in Italy, Europe, South America and North Africa, with commercial strategies finely tuned to meet the requirements of its local markets.

Automated warehousing

This is a testimony to Fanton S.p.A.'s commitment to growth. The new warehouse, which boasts the latest warehousing technology, puts the customer first with fast order filling and stock turnover.

The **power** from service...



Call Center

+39.049.9597911

The phone service which is always ready to answer your requests with our courteous, highly expert staff. Monday to Friday, office hours.



Visit our website

www.fanton.com

Our site contains all our catalogues and price lists in Acrobat pdf format for you to download and peruse at your leisure. You can also search our database for the best product for your needs, browse our company information and locate all our sales network addresses. You can also request catalogues and other information using a pre-compiled form.



Full set of catalogues

CD ROM

FANTON has made all its catalogues available on a single CD ROM, divided by product category. They are handy and easy to use, thanks to the table of contents divided by product category which links directly to the respective pages. On request the CD, visit www.fanton.com or call our Call Center.

...to products

Fanton S.p.A. offers a full range of products, from electrical supplies to special cables and cabling systems. The numerous new products introduced in this edition testify to our commitment to continuous improvement in line with the development of the market.



Electrical supplies **FME Catalogue**

FME is Fanton S.p.A.'s historic brand. With our enormous experience and know-how, developed over many years of manufacturing, we are proud to present our new, expanded catalogue. The catalogue contains a vast range of new products, covering the entire range from residential to industrial use. Printed in A4 for ease of filing, the catalogue is full of images and tables which clearly illustrate the products and their many variants. It is divided into two sections: the first covers electrical supplies for the industrial market, the second materials for civil applications.

INDUSTRIAL product line: Plugs, cable winders, extensions, «Golia Empty» winder, cable winder spares, junction panels, lighting.

CIVIL product line: Multiplugs, plugs, cable winders, self-retracting cable winders, extensions, self-service cables, telephony/TV accessories, Satv accessories, TV supplies, lighting products.



Cabling systems **FANTONET Catalogue**

The FANTONet catalogue has reached its fourth edition and aims to offer a complete range of products for constructing and installing quality cabling systems. The range of products is vast and includes installation products, work area accessories and instrumentation. The catalogue aims to provide everything needed to create the installation which best suits your customer's requirements. The catalogue not only lists our products, but also includes technical sheets which answer the questions most commonly asked by installation technicians about regulatory issues and installation methods.

Contents: Concept System, Lan Cables, Optical Fibre Cables, «Greenet» Enclosures and Panels, Kit-Net, Enclosure Accessories, Work Area Accessories, Phone Systems, 5e Data Systems, 6e Data Systems, Light Systems, Get Net Active Equipment, C-Net Active Equipment, UPS, Instrumentation.



Special cables **AMBRA 90 CAVI Catalogue**

The AMBRA 90 CAVI catalogue lists a vast selection of special cables, and the new edition includes a variety of new products, including coaxial cables for digital terrestrial TV, Profibus cables, electronics cables, fire-retardant cables and Superflex cables. Ambra 90 Cavi adopts the most advanced production technology. In order to meet the requirements of an increasingly demanding and dynamic market, the catalogue also offers the option to order custom cables. Each cable listed in the catalogue is illustrated with photographs, technical data tables and commercial packaging options.

Contents: DigiSatv cables, RG cables, LAN cables, Telecommunications cables, Burglar alarm and alarm cables, Fire-retardant cables, Hi-Fi cables, Extra-flex cables, Superflex cables, Multipole cables with copper braid screen, Data transmission cables, Electronics cables, Profibus cables and Custom cables



ELECTRICAL
COMPONENTS
FACTORY



SPECIAL
CABLES
DIVISION



CABLING
SYSTEM

FANTON SpA

Viale dell'Industria, 8/10 • 35026 CONSELVE (Padova) ITALY • ph. +39 049 / 95 97 911 • fax +39 049 / 95 97 909

• www.fanton.com • e-mail: export@fanton.com